

# CCS811

## Ultra-Low Power Digital Gas Sensor for Monitoring Indoor Air Quality

### General Description

The CCS811 is an ultra-low power digital gas sensor solution which integrates a metal oxide (MOX) gas sensor to detect a wide range of Volatile Organic Compounds (VOCs) for indoor air quality monitoring with a microcontroller unit (MCU), which includes an Analog-to-Digital converter (ADC), and an I<sup>2</sup>C interface.

CCS811 is based on **ams** unique micro-hotplate technology which enables a highly reliable solution for gas sensors, very fast cycle times and a significant reduction in average power consumption.

The integrated MCU manages the sensor driver modes and measurements. The I<sup>2</sup>C digital interface significantly simplifies the hardware and software design, enabling a faster time to market.

CCS811 supports intelligent algorithms to process raw sensor measurements to output a TVOC value or equivalent CO<sub>2</sub> (eCO<sub>2</sub>) levels, where the main cause of VOCs is from humans.

CCS811 supports multiple measurement modes that have been optimized for low-power consumption during an active sensor measurement and idle mode extending battery life in portable applications.

CCS811 is available in a 10 lead 2.7mm x 4.0mm x 1.1mm, 0.6mm pitch LGA package.

*Ordering Information and Content Guide appear at end of datasheet.*

## Key Benefits & Features

The benefits and features of CCS811, Ultra-Low Power Digital Gas Sensor for Monitoring Indoor Air Quality are listed below:

**Figure 1:**  
Added Value of Using CCS811 Sensor

Benefits	Features
<ul style="list-style-type: none"> <li>Manages the sensor drive modes and measurements while detecting VOCs</li> </ul>	<ul style="list-style-type: none"> <li>Integrated MCU</li> </ul>
<ul style="list-style-type: none"> <li>Provides eCO<sub>2</sub> level or TVOC indication with no host intervention</li> </ul>	<ul style="list-style-type: none"> <li>On-board processing</li> </ul>
<ul style="list-style-type: none"> <li>Simplifies the hardware and software integration</li> </ul>	<ul style="list-style-type: none"> <li>Standard (100kbit/s) and fast (400kbit/s) I<sup>2</sup>C interface</li> </ul>
<ul style="list-style-type: none"> <li>Extend battery life in portable applications</li> </ul>	<ul style="list-style-type: none"> <li>Optimised low-power modes</li> </ul>
<ul style="list-style-type: none"> <li>Suitable for small form-factor designs</li> </ul>	<ul style="list-style-type: none"> <li>2.7mm x 4.0mm x 1.1mm LGA package</li> </ul>
<ul style="list-style-type: none"> <li>Saves up to 60% in PCB footprint</li> </ul>	<ul style="list-style-type: none"> <li>Low component count</li> </ul>
<ul style="list-style-type: none"> <li>Designed for high volume and reliability (&gt;5years lifetime)</li> </ul>	<ul style="list-style-type: none"> <li>Proven technology platform</li> </ul>

## Applications

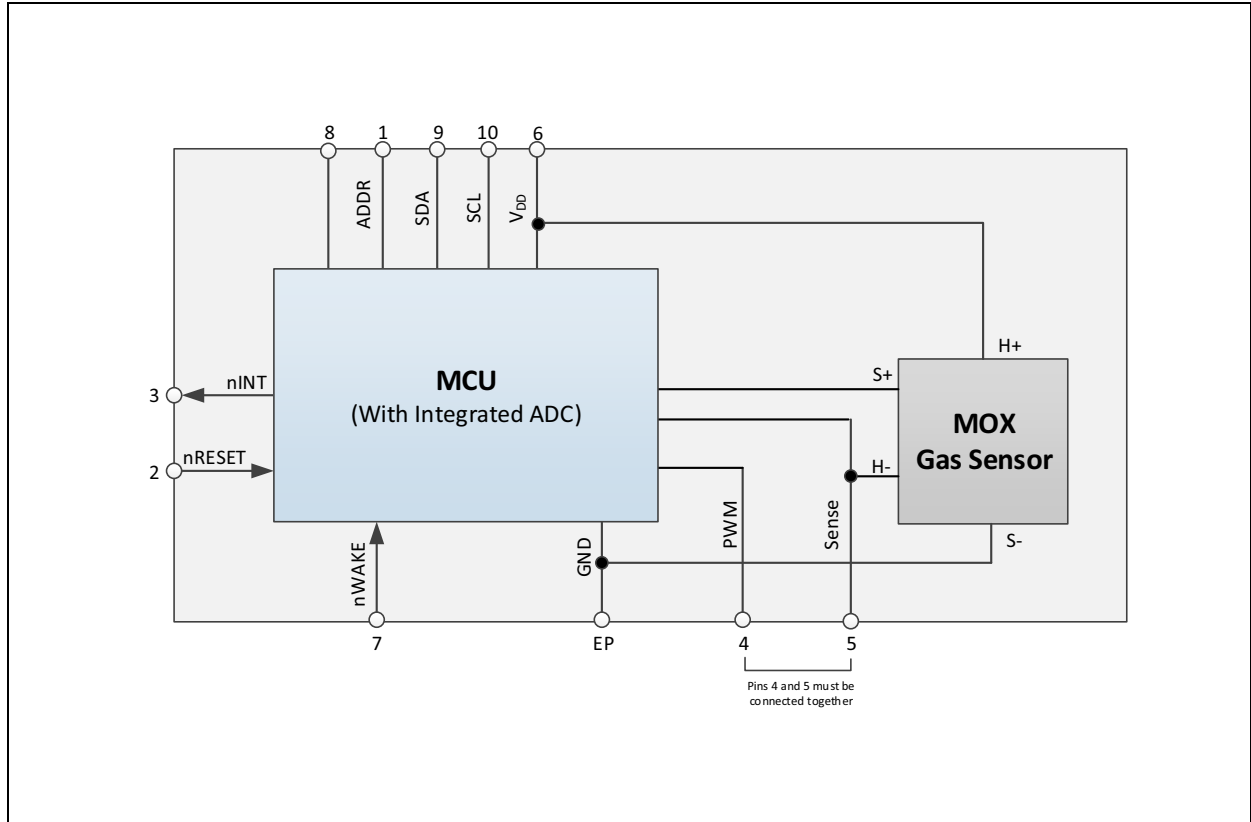
This device can be mainly used for indoor air quality monitoring in:

- Smart phones
- Wearables
- Home and building automation
- Accessories

### Block Diagram

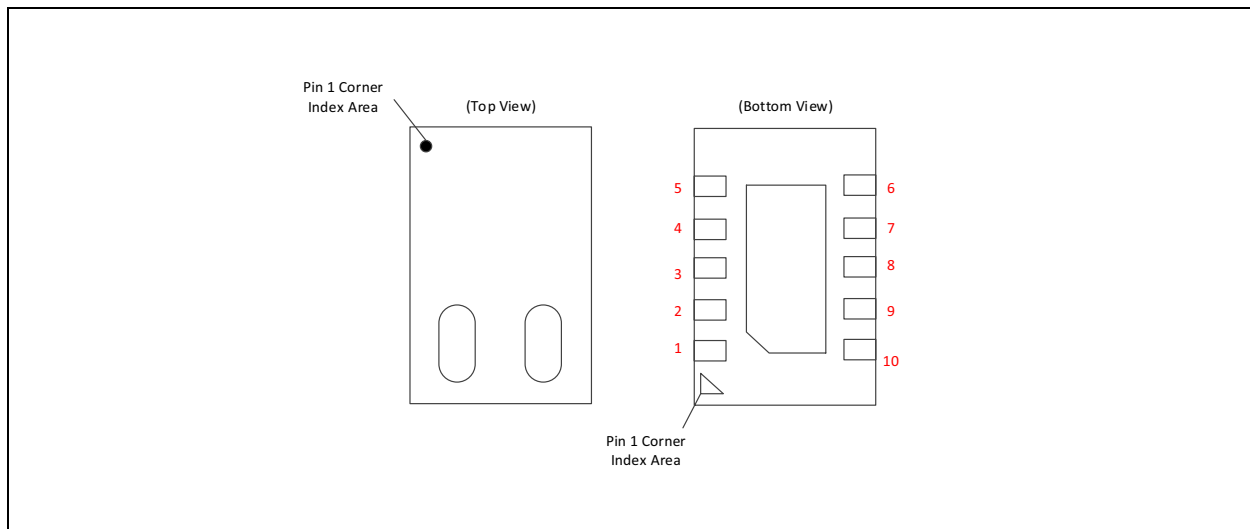
The functional blocks of this device are shown below:

**Figure 2:**  
CCS811 Block Diagram



## Pin Assignment

**Figure 3:**  
Pin Diagram



**Pin Diagram:** The Exposed Pad is underneath

**Figure 4:**  
CCS811 LGA Pin Assignment

Pin No.	Pin Name	Description
1	ADDR	Single address select bit to allow alternate address to be selected <ul style="list-style-type: none"> <li>When ADDR is low the 7 bit I<sup>2</sup>C address is decimal 90 / hex 0x5A</li> <li>When ADDR is high the 7 bit I<sup>2</sup>C address is decimal 91 / hex 0x5B.</li> </ul>
2	nRESET	nRESET is an active low input and is pulled up to V <sub>DD</sub> by default. nRESET is optional but 4.7kΩ pull-up and/or decoupling of the nRESET pin may be necessary to avoid erroneous noise-induced resets. This pin will be pulled low internally during reset.
3	nINT	nINT is an active low optional output. It is pulled low by the CCS811 to indicate end of measurement or a set threshold value has been triggered.
4	PWM	Heater driver PWM output. Pins 4 and 5 must be connected together.
5	Sense	Heater current sense. Pins 4 and 5 must be connected together.
6	V <sub>DD</sub>	Supply voltage.
7	nWAKE	nWAKE is an active low input and should be asserted by the host prior to an I <sup>2</sup> C transaction and held low throughout.
8	NC	No connect
9	SDA	SDA pin is used for I <sup>2</sup> C data. Should be pulled up to V <sub>DD</sub> with a resistor.
10	SCL	SCL pin is used for I <sup>2</sup> C clock. Should be pulled up to V <sub>DD</sub> with a resistor.
EP	Exposed Pad	Connect to ground.

## Absolute Maximum Ratings

Stresses beyond those listed under [Absolute Maximum Ratings](#) may cause permanent damage to the device. These are stress ratings only. Functional operation of the device at these or any other conditions beyond those indicated under [Electrical Characteristics](#) is not implied. Exposure to absolute maximum rating conditions for extended periods may affect device reliability

**Figure 5:**  
Absolute Maximum Ratings

Symbol	Parameter	Min	Max	Units	Comments
<b>Electrical Parameters</b>					
$V_{DD}^{(1)}$	Supply Voltage	1.8 <sup>(2)</sup>	3.6	V	
$I_{DD}$	Average Supply Current		30	mA	In mode 1
$I_{DDPeak}$	Peak Supply Current		54	mA	In modes 2 and 3
P	Power Consumption		60	mW	In mode 1
<b>Electrostatic Discharge</b>					
$ESD_{HBM}$	Human Body Model	±2000		V	
$ESD_{CDM}$	Charged Device Model	±1000		V	
<b>Environmental Conditions</b>					
$T_{AMB}^{(3)}$	Ambient Temperature for Operation	-40	85	°C	
$T_{STRG}$	Storage Temperature	-40	125	°C	
$RH_{NC}$	Relative Humidity (non-condensing)	10	95	%	
$L_T^{(4)}$	Product Lifetime	>5		Years	In mode 1
MSL	Moisture Sensitivity Level	1			Unlimited max. floor life time

**Note(s):**

1. The supply voltage  $V_{DD}$  is sampled during boot and should not vary during operation.
2. The minimum supply voltage  $V_{DD}$  is 1.8V and should not drop below this value for reliable device operation.
3. Sensors are electrically operable in this range, however indoor air quality performance will vary in this range.
4. Product lifetime for CCS811 will be longer in modes 2 and 3.

## Electrical Characteristics

**Figure 6:**  
Electrical Characteristics

Parameters	Conditions	Min	Typ <sup>(6)</sup>	Max	Units
Supply Voltage ( $V_{DD}$ ) <sup>(1), (2)</sup>		1.8		3.3	V
Supply Current ( $I_{DD}$ ) <sup>(3)</sup>	During measuring at 1.8V		26		mA
	Average over pulse cycle <sup>(3)</sup> at 1.8V		0.7		mA
	Sleep Mode at 1.8V		19		$\mu$ A
Power Consumption	Idle Mode 0 at $V_{DD}=1.8V$		0.034		mW
	Mode 1 & 4 at $V_{DD}=1.8V$		46		mW
	Mode 2 at $V_{DD}=1.8V$		7		mW
	Mode 3 at $V_{DD}=1.8V$		1.2		mW
Logic High Input <sup>(5)</sup>	nRESET, nWAKE, ADDR	$V_{DD} - 0.6$		$V_{DD}$	V
Logic Low Input <sup>(5)</sup>	nRESET, nWAKE, ADDR	0		0.6	V
Logic High Output	nINT	$V_{DD} - 0.7$			V
Logic Low Output	nINT			0.6	V

**Note(s):**

1. The supply voltage  $V_{DD}$  is sampled during boot and should not vary during operation
2. The maximum  $V_{DD}$  ramp time for Power On is 3ms
3. Typical values for 1.8V supply voltage ( $V_{DD}$ )
4. Average Supply Current ( $I_{DD}$ ) for a sensor measurement once every 60 seconds
5. For SDA and SCL timing refer NXP I<sup>2</sup>C – bus specification and user manual UM10204
6. Typical values at 25°C and 50% RH

**Figure 7:**  
**Timing Characteristics**

Parameters	Conditions	Min	Typ	Max	Units
$t_{APP\_START}$	Time between giving the APP_START command in boot mode and the device being ready for new I <sup>2</sup> C commands			1	ms
$t_{WAKE}^{(1)}$	Time between deasserting nWAKE pin and the device being ready for new I <sup>2</sup> C commands			50	$\mu$ s
$t_{START}^{(2)}$	Time between power on and the device being ready for new I <sup>2</sup> C commands		18	20	ms
	Time between deasserting nRESET pin or giving the SW_RESET command and the device being ready for new I <sup>2</sup> C commands		1	2	ms
$t_{DWAKE}$	Minimum time nWAKE should be de-asserted	20			$\mu$ s
$t_{DRESET}$	Minimum time nRESET should be de-asserted	20			$\mu$ s
$t_{RESET}$	Minimum time nRESET should be asserted	15			$\mu$ s
$f_{I^2C}$	Frequency of I <sup>2</sup> C bus supported	10	100	400	kHz

**Note(s):**

1. nWAKE should be asserted prior to and during any I<sup>2</sup>C transaction.
2. Up to 70ms on the first Reset after new application download.

## Detailed Description

### Modes of Operation

The CCS811 has 5 modes of operation as follows

- Mode 0: Idle, low current mode
- Mode 1: Constant power mode, IAQ measurement every second
- Mode 2: Pulse heating mode IAQ measurement every 10 seconds
- Mode 3: Low power pulse heating mode IAQ measurement every 60 seconds
- Mode 4: Constant power mode, sensor measurement every 250ms

In Modes 1, 2, 3, the equivalent CO<sub>2</sub> concentration (ppm) and TVOC concentration (ppb) are calculated for every sample.

- Mode 1 reacts fastest to gas presence, but has a higher operating current
- Mode 3 reacts more slowly to gas presence but has the lowest average operating current.

When a sensor operating mode is changed to a new mode with a lower sample rate (e.g. from Mode 1 to Mode 3), it should be placed in Mode 0 (Idle) for at least 10 minutes before enabling the new mode. When a sensor operating mode is changed to a new mode with a higher sample rate (e.g. from Mode 3 to Mode 1), there is no requirement to wait before enabling the new mode.

Mode 4 is intended for systems where an external host system wants to run an algorithm with raw data and this mode provides new sample data every 250ms.

**Note(s):** Mode timings are subject to typical 2% tolerance due to accuracy of internal clock

### Early-Life Use (Burn-In)

CCS811 performance in terms of resistance levels and sensitivities will change during early life use. The change in resistance is greatest over the first 48 hours of operation. CCS811 controls the burn-in period allowing eCO<sub>2</sub> and TVOC readings to be used during initial device operation.



### Conditioning Period (Run-In)

After early-life (Burn-In) use the conditioning period is the time required to achieve good sensor stability before measuring VOCs after long idle period.

After writing to MEAS\_MODE to configure the sensor in mode 1-4, run CCS811 for 20 minutes, before accurate readings are generated.

The conditioning period must also be observed before writing to the BASELINE register.

### eCO<sub>2</sub>

The equivalent CO<sub>2</sub> (eCO<sub>2</sub>) output range for CCS811 is from 400ppm to 64000ppm.

### TVOC

The Total Volatile Organic Compound (TVOC) output range for CCS811 is from 0ppb to 64000ppb.

### Temperature and Humidity Compensation

If an external sensor is available this information can be written to CCS811 so that they will be used to compensate gas readings due to temperature and humidity changes. *Refer to the [ENV\\_DATA \(Environment Data\) Register \(0x05\)](#).*

### Interrupt and Interrupt on Threshold

At the end of each measurement cycle (250ms, 1s, 10s, 60s) a flag is set and optionally interrupt (nINT) pin asserted. *Refer to the [MEAS\\_MODE \(Measurement and Conditions\) Register \(0x01\)](#).* The user can choose to only assert nINT if the eCO<sub>2</sub> value changes into a different range set by register values. *Refer to the [THRESHOLDS Register \(0x10\)](#).*

### Automatic Baseline Correction

The resistance  $R_S$  of the sensitive layer is the output of the sensor. However, metal oxide sensors do not give absolute readings. The resistance  $R_S$  varies from sensor to sensor (manufacturing variation), from use-case to use-case, and over time. To mitigate this problem, the output of the sensor is normalized:  $R_S$  is divided by  $R_A$ . The value of  $R_A$  is known as the baseline.  $R_A$  cannot be determined by a one-time calibration; it is maintained on-the-fly in software. This process is known as baseline correction. The air quality is expected to vary in a typical environment so the minimum time over which a baseline correction is applied is 24 hours. Automatic baseline correction is enabled after initial device operation.

### Manual Baseline Correction

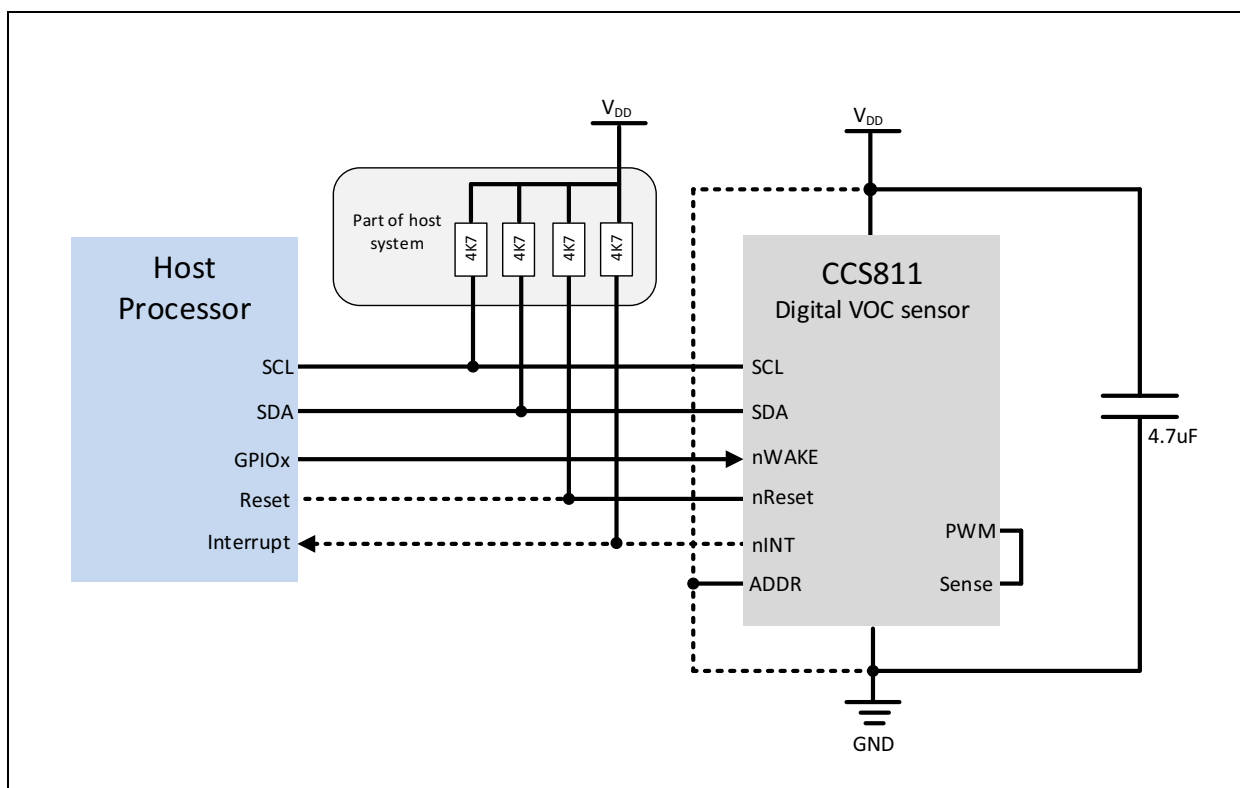
There is a mechanism within CCS811 to manually save and restore a previously saved baseline value using the BASELINE register.

For additional information on manual baseline control please refer to application note **ams** AN000370: CCS811 Clean Air Baseline Save and Restore.

## Application Information

The recommended application circuit for CCS811 is shown below.

**Figure 8:**  
Recommended Application Circuit



**Note(s):**

1. The PWM (Pin 4) and Sense (Pin 5) signals on CCS811 must be connected together.
2. A decoupling capacitor must be placed close to the supply pin VDD on the CCS811.
3. Pull-up resistors for SCL and SDA assumed will be part of host system.
4. If power is not an issue, nWake can be connected to ground if a spare GPIO is not available on the host processor.
5. ADDR must be connected to either VDD (logic 1) or ground (logic 0) depending on the required  $I_{sb}$  of the CCS811's I<sup>2</sup>C slave address.

## Host System Software Requirements

1. The minimum level of driver support that a host system needs is read and write I<sup>2</sup>C transactions of data bytes where the nWAKE pin is asserted at least  $t_{AWAKE}$  before the transaction and kept asserted throughout.
2. An Interrupt handler is also recommended to tell the application code that the device has asserted an interrupt.

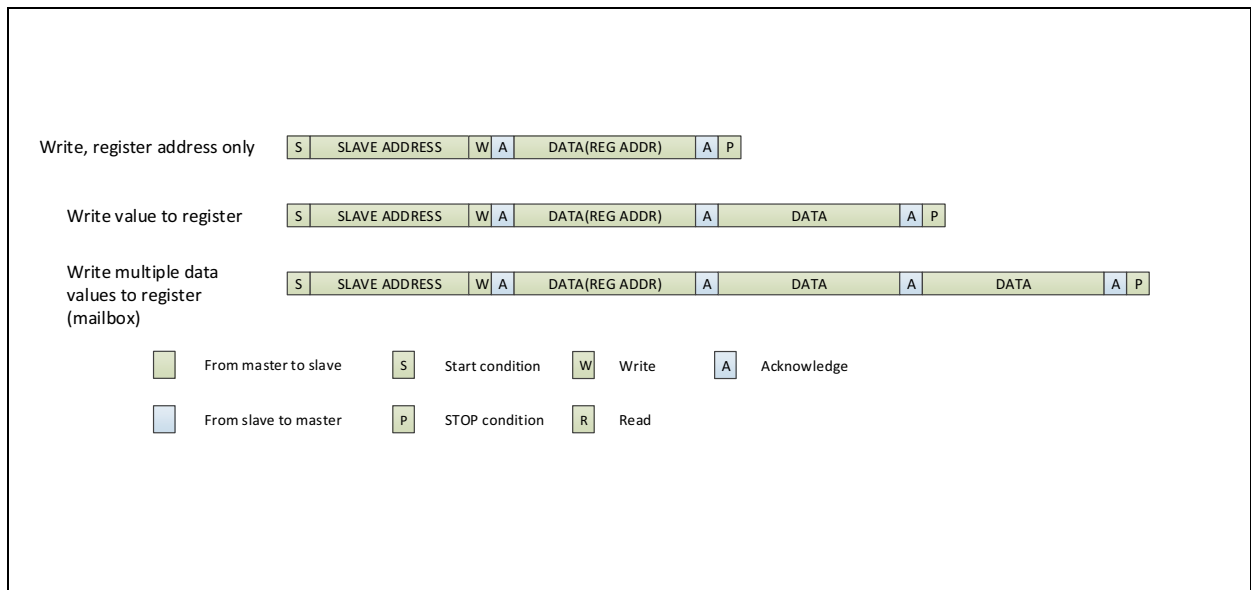
### I<sup>2</sup>C Interface

I<sup>2</sup>C transactions require a register address to be selected (written) and followed by data, as described by the transaction types in the subsections below. Each Register location corresponds to a byte or multiple bytes. Multiple reads or writes in a single sequence will be to or from the same location (the address does not increment). Therefore, registers are sometimes referred to as mailboxes in this document.

CCS811 requires the host processor supports clock stretching.

### I<sup>2</sup>C Register Write

Figure 9:  
I<sup>2</sup>C Register Write

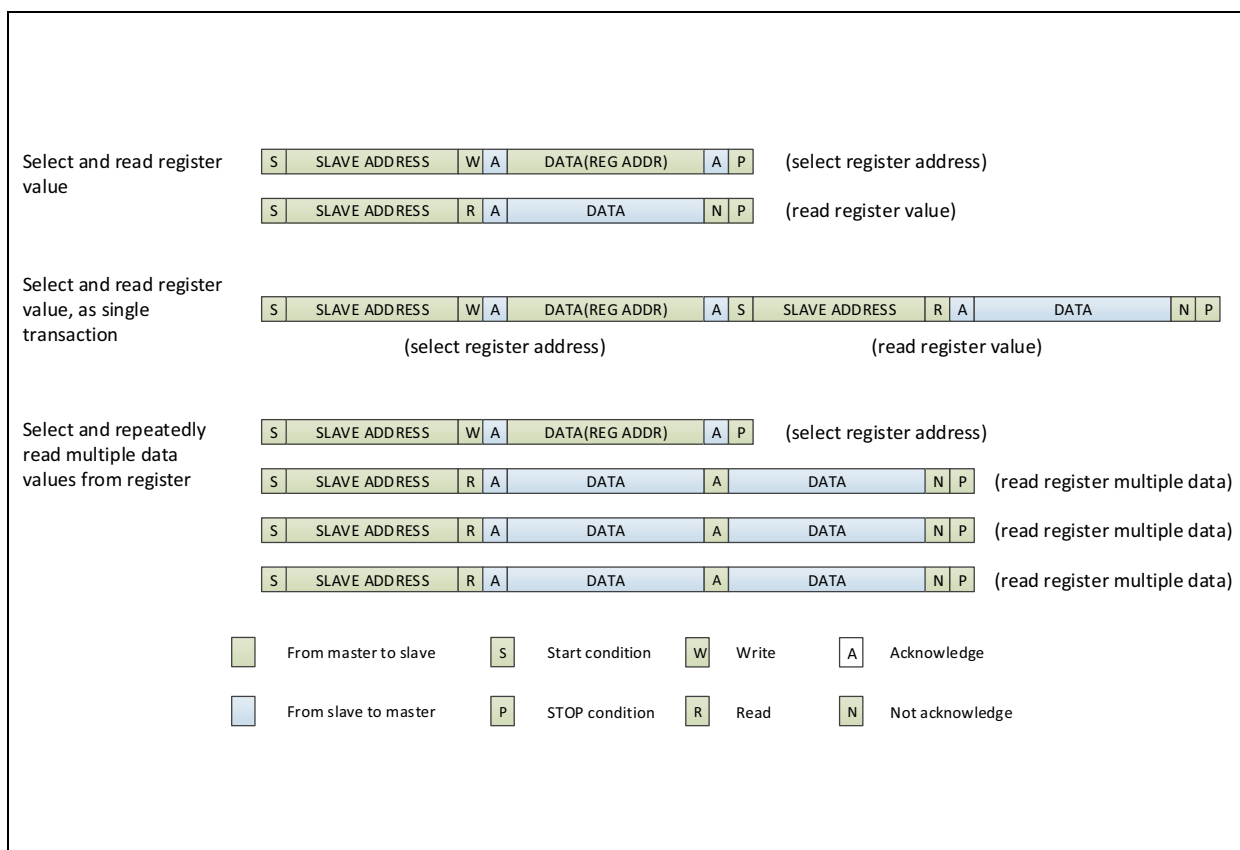


As shown above, a transaction may be:

- Single Byte to select a register address for subsequent read
- Two Bytes to select a register address and write a byte to it, typically to set a single-byte register value
- Multi-Bytes to select a register address and write several bytes to it, typically to set multiple configuration bytes

### I<sup>2</sup>C Register Read

**Figure 10:**  
I<sup>2</sup>C Register Read



- Since no register address can be supplied during an I<sup>2</sup>C read, an I<sup>2</sup>C write needs to be prepended to select the required register first.
- The write and read operations can optionally be combined into a single transaction using a repeated start condition, as shown in the second example above.
- Select and repeatedly read multiple data values from register, if the three reads are from the same register (mailbox), or from three subsequent registers (mailboxes).

## Application Register Overview

All I<sup>2</sup>C transactions must use the (7 bits) slave address 0x5A or 0x5B depending on status of ADDR pin when writing to and reading from the CCS811. [Figure 11](#) shows the register map for CCS811. [Figure 22](#) shows the bootloader register map.

**Figure 11:**  
CCS811 Application Register Map

Address	Register	R/W	Size	Description
0x00	STATUS	R	1 byte	Status register
0x01	MEAS_MODE	R/W	1 byte	Measurement mode and conditions register
0x02	ALG_RESULT_DATA	R	up to 8 bytes	Algorithm result. The most significant 2 bytes contain a ppm estimate of the equivalent CO <sub>2</sub> (eCO <sub>2</sub> ) level, and the next two bytes contain a ppb estimate of the total VOC level.
0x03	RAW_DATA	R	2 bytes	Raw ADC data values for resistance and current source used.
0x05	ENV_DATA	W	4 bytes	Temperature and humidity data can be written to enable compensation
0x06	Res		4 bytes	Reserved for future use
0x10	THRESHOLDS	W	4 bytes	Thresholds for operation when interrupts are only generated when eCO <sub>2</sub> ppm crosses a threshold
0x11	BASELINE	R/W	2 bytes	The encoded current baseline value can be read. A previously saved encoded baseline can be written.
0x20	HW_ID	R	1 byte	Hardware ID. The value is 0x81
0x21	HW Version	R	1 byte	Hardware Version. The value is 0x1X
0x23	FW_Boot_Version	R	2 bytes	Firmware Boot Version. The first 2 bytes contain the firmware version number for the boot code.
0x24	FW_App_Version	R	2 bytes	Firmware Application Version. The first 2 bytes contain the firmware version number for the application code
0xE0	ERROR_ID	R	1 byte	Error ID. When the status register reports an error its source is located in this register
0xFF	SW_RESET	W	4 bytes	If the correct 4 bytes (0x11 0xE5 0x72 0x8A) are written to this register in a single sequence the device will reset and return to BOOT mode.

**Note(s):**

1. The number of bytes read from a register must not exceed the size in this table.
2. For more information on CCS811 programming requirements please refer to **ams** application note AN000369.

### STATUS Register (0x00)

Single byte read only register which indicates if a device is active, if new data is available or if an error occurred.

**Figure 12:**  
Status Register

7	6	5	4	3	2	1	0
FW_MODE	APP_ERASE	APP_VERIFY	APP_VALID	DATA_READY	-		ERROR

Bit(s)	Field	Description
7	FW_MODE	0: Firmware is in boot mode, this allows new firmware to be loaded 1: Firmware is in application mode. CCS811 is ready to take ADC measurements
6	APP_ERASE	Boot Mode only. 0: No erase completed 1: Application erase operation completed
5	APP_VERIFY	Boot Mode only. 0: No verify completed 1: Application verify operation completed After issuing a VERIFY command the application software must wait 70ms before issuing any transactions to CCS811 over the I <sup>2</sup> C interface
4	APP_VALID	0: No application firmware loaded 1: Valid application firmware loaded
3	DATA_READY	0: No new data samples are ready 1: A new data sample is ready in ALG_RESULT_DATA, this bit is cleared when ALG_RESULT_DATA is read on the I <sup>2</sup> C interface
2:1	-	Reserved
0	ERROR	0: No error has occurred 1: There is an error on the I <sup>2</sup> C or sensor, the ERROR_ID register (0xE0) contains the error source

### MEAS\_MODE (Measurement and Conditions) Register (0x01)

This is Single byte register, which is used to enable sensor drive mode and interrupts.

**Figure 13:**  
Measure Mode Register

7	6	5	4	3	2	1	0
-	DRIVE_MODE			INTERRUPT	THRESH	-	

Bit(s)	Field	Description
7	-	Reserved – write '0'
6:4	DRIVE_MODE	000: Mode 0 – Idle (Measurements are disabled in this mode) 001: Mode 1 – Constant power mode, IAQ measurement every second 010: Mode 2 – Pulse heating mode IAQ measurement every 10 seconds 011: Mode 3 – Low power pulse heating mode IAQ measurement every 60 seconds 100: Mode 4 – Constant power mode, sensor measurement every 250ms 1xx: Reserved modes (For future use)  In mode 4, the ALG_RESULT_DATA is not updated, only RAW_DATA; the processing must be done on the host system.  A new sample is placed in ALG_RESULT_DATA and RAW_DATA registers and the DATA_READY bit in the STATUS register is set at the defined measurement interval.
3	INT_DATARDY	0: Interrupt generation is disabled 1: The nINT signal is asserted (driven low) when a new sample is ready in ALG_RESULT_DATA. The nINT signal will stop being driven low when ALG_RESULT_DATA is read on the I <sup>2</sup> C interface.  At the end of each measurement cycle (250ms, 1s, 10s, 60s) a flag is set in the STATUS register regardless of the setting of this bit..
2	INT_THRESH	0: Interrupt mode (if enabled) operates normally 1: Interrupt mode (if enabled) only asserts the nINT signal (driven low) if the new ALG_RESULT_DATA crosses one of the thresholds set in the THRESHOLDS register by more than the hysteresis value (also in the THRESHOLDS register)
1:0	-	Reserved - write 00



### ALG\_RESULT\_DATA (Algorithm Results Data) Register (0x02)

This multi-byte read only register contains the calculated eCO<sub>2</sub> (ppm) and TVOC (ppb) values followed by the STATUS register, ERROR\_ID register and the RAW\_DATA register.

- If only eCO<sub>2</sub> is required, only the first 2 bytes need to be read.
- If TVOC is required, 4 bytes need to be read.
- In a system where interrupts are not implemented and the host needs to poll the STATUS register to determine whether there is new data, an efficient alternative is to read 5 bytes in a single transaction since that returns eCO<sub>2</sub>, TVOC and the status register.
- Optionally, all 8 bytes could be read in a single transaction, so that even the error status and the raw data is available.

Figure 14: Algorithm Results Register Byte Order

Byte 0	Byte 1	Byte 2	Byte 3	Byte 4	Byte 5	Byte 6 & 7
eCO <sub>2</sub> High Byte	eCO <sub>2</sub> Low Byte	TVOC High Byte	TVOC Low Byte	STATUS	ERROR_ID	See RAW_DATA

### RAW\_DATA Register (0x03)

Two byte read only register which contains the latest readings from the sensor.

The most significant 6 bits of the Byte 0 contain the value of the current through the sensor (0μA to 63μA).

The lower 10 bits contain (as computed from the ADC) the readings of the voltage across the sensor with the selected current (1023 = 1.65V)

Figure 15: RAW\_DATA Register Byte Order

Byte 0								Byte 1							
7	6	5	4	3	2	1	0	7	6	5	4	3	2	1	0
Current Selected 5:0							Raw ADC reading 9:0								

**ENV\_DATA (Environment Data) Register (0x05)**

A multi-byte register that can be written with the current Humidity and Temperature values if known.

**Relative Humidity**

Figure 16: Relative Humidity Fields and Byte Order

Byte 0								Byte 1							
Humidity High Byte								Humidity Low Byte							
7	6	5	4	3	2	1	0	7	6	5	4	3	2	1	0
64	32	16	8	4	2	1	1/2	1/4	1/8	1/16	1/32	1/64	1/128	1/256	1/512
Humidity %								Humidity % Fraction							

Humidity is stored as an unsigned 16 bits in 1/512%RH. The default value is 50% = 0x64, 0x00. As an example 48.5% humidity would be 0x61, 0x00.

**Temperature**

Figure 17: Temperature Fields and Byte Order

Byte 2								Byte 3							
Temperature High Byte								Temperature Low Byte							
7	6	5	4	3	2	1	0	7	6	5	4	3	2	1	0
64	32	16	8	4	2	1	1/2	1/4	1/8	1/16	1/32	1/64	1/128	1/256	1/512
Temperature 25°C								Temperature 25°C Fraction							

Temperature is stored as an unsigned 16 bits integer in 1/512 degrees; there is an offset: 0 maps to -25°C. The default value is 25°C = 0x64, 0x00. As an example 23.5% temperature would be 0x61, 0x00.

The internal algorithm uses ENV\_DATA values (or default values if not set by the application) to compensate for changes in relative humidity and ambient temperature.

For temperatures below -25°C the 7-bit temperature field in Byte 2 above should be set to all zeros.

**THRESHOLDS Register (0x10)**

If 'interrupt on threshold change' has been set in the Mode register (see above), the values in this multi- byte write only register are used to determine the thresholds.

**Figure 18:--['**  
**Thresholds Register Byte Order**

Byte 0	Byte 1	Byte 2	Byte 3
Low to Medium Threshold		Medium to High Threshold	
High Byte	Low Byte	High Byte	Low Byte

An interrupt is asserted if the eCO<sub>2</sub> value moved from the current range (Low, Medium, or High) into another range by more than 50ppm.

- Low to Medium Threshold default = 1500ppm = 0x05DC
- Medium to High Threshold default = 2500ppm = 0x09C4

**BASELINE Register (0x11)**

A two byte read/write register which contains an encoded version of the current baseline used in Algorithm Calculations.

A previously stored value may be written back to this two byte register and the Algorithms will use the new value in its calculations (until it adjusts it as part of its internal Automatic Baseline Correction). For more information, refer to **ams** application note AN000370: CCS811 Clean Air Baseline Save and Restore.

**HW\_ID (Hardware identifier) Register (0x20)**

Single byte read only register which holds the HW ID which is 0x81 for this family of CCS81x devices.

**HW\_Version (Hardware Version) Register (0x21)**

Single byte read only register which holds the Hardware Major and Minor Hardware versions.

The top four bits read major hardware version 1 – identifying the product as CCS811. The bottom four bits identify any build variant. The default value is 0x1X.

**FW\_Boot\_Version (Firmware Bootloader Version) Register (0x23)**

Two byte read only register which contain the version of the firmware bootloader stored in the CCS811 in the format Major.Minor.Trivial

**Figure 19:**  
Firmware Bootloader Version Format

Byte 0								Byte 1							
7	6	5	4	3	2	1	0	7	6	5	4	3	2	1	0
Major				Minor				Trivial							

**FW\_App\_Version (Firmware Application Version) Register (0x24)**

Two byte read only register which contain the version of the firmware application stored in the CCS811 in the format Major.Minor.Trivial

**Figure 20:**  
Firmware Application Version Format

Byte 0								Byte 1							
7	6	5	4	3	2	1	0	7	6	5	4	3	2	1	0
Major				Minor				Trivial							

### ERROR\_ID (Error Identifier) Register (0xE0)

If the ERR bit [0] of the STATUS Register is set, this single byte read only register indicates source(s) of the error.

**Figure 21:**  
ERROR\_ID Register Codes

Bit	ERROR_CODE	Description
0	WRITE_REG_INVALID	The CCS811 received an I <sup>2</sup> C write request addressed to this station but with invalid register address ID
1	READ_REG_INVALID	The CCS811 received an I <sup>2</sup> C read request to a mailbox ID that is invalid
2	MEASMODE_INVALID	The CCS811 received an I <sup>2</sup> C request to write an unsupported mode to MEAS_MODE
3	MAX_RESISTANCE	The sensor resistance measurement has reached or exceeded the maximum range
4	HEATER_FAULT	The Heater current in the CCS811 is not in range
5	HEATER_SUPPLY	The Heater voltage is not being applied correctly
6	-	Reserved for Future Use
7	-	Reserved for Future Use

**SW\_RESET Register (0xFF)**

As an alternative to Power-On reset or Hardware Reset a Software Reset is available.

Asserting the SW\_RESET will restart the CCS811 in Boot mode to enable new application firmware to be downloaded.

To prevent accidental SW\_RESET a sequence of four bytes must be written to this register in a single I<sup>2</sup>C sequence: 0x11, 0xE5, 0x72, 0x8A.

For details, please refer to application notes **ams** AN000369 and **ams** AN000371.

## Bootloader Register Overview

All I<sup>2</sup>C transactions must use the (7bits) slave address 0x5A or 0x5B depending on status of ADDR pin when writing to and reading from the CCS811. [Figure 22](#) shows the bootloader register map for CCS811.

**Figure 22:**  
CCS811 Bootloader Register Map

Address	Register	R/W	Size	Description
0x00	STATUS	R	1 byte	Status register
0x20	HW_ID	R	1 byte	Hardware ID. The value is 0x81
0x21	HW Version	R	1 byte	Hardware Version. The value is 0x1X
0x23	FW_Boot_Version	R	2 bytes	Firmware Boot Version. The first 2 bytes contain the firmware version number for the boot code.
0x24	FW_App_Version	R	2 bytes	Firmware Application Version. The first 2 bytes contain the firmware version number for the application code.
0xE0	ERROR_ID	R	1 byte	Error ID. When the status register reports an error it source is located in this register
0xF1	APP_ERASE	W	4 bytes	If the correct 4 bytes (0xE7 0xA7 0xE6 0x09) are written to this register in a single sequence the device will start the application erase
0xF2	APP_DATA	W	9 bytes	Transmit flash code for the bootloader to write to the application flash code space.
0xF3	APP_VERIFY	W	-	Starts the process of the bootloader checking though the application to make sure a full image is valid.
0xF4	APP_START	W	-	Application start. Used to transition the CCS811 state from boot to application mode, a write with no data is required. Before performing a write to APP_START the Status register should be accessed to check if there is a valid application present.
0xFF	SW_RESET	W	4 bytes	If the correct 4 bytes (0x11 0xE5 0x72 0x8A) are written to this register in a single sequence the device will reset and return to BOOT mode.

**Note(s):**

1. The number of bytes read from a register must not exceed the size in this table.
2. For more information on performing application code download please refer to application note **ams** AN000371.

Registers not detailed below are documented in the [Application Register Overview](#) section.

### **APP\_ERASE (Application Erase) Register (0xF1)**

To prevent accidental APP\_ERASE a sequence of four bytes must be written to this register in a single I<sup>2</sup>C sequence: 0xE7, 0xA7, 0xE6, 0x09.

The APP\_ERASE can take a variable amount of time. The status register can be polled to determine when this function is complete. The 6<sup>th</sup> bit (0x40) is initialised to 0 and set to a 1 on completion of the APP\_ERASE function. After an erase this bit is only cleared by doing a reset or starting the application.

### **APP\_DATA (Application Data) Register (0xF2)**

Nine byte, write only register for sending small chunks of application data which will be written in order to the CCS811 flash code.

### **APP\_VERIFY (Application Verify) Register (0xF3)**

Single byte write only register which starts the application verify process run by the bootloader to check for a complete application code image. Command only needs to be called once after a firmware download as the result is saved in a flash location that gets checked during device initialisation.

The APP\_VERIFY can take a variable amount of time. The status register can be polled to determine when this function is complete. The 5<sup>th</sup> bit (0x20) is initialised to 0 and set to a 1 on completion of the APP\_VERIFY function. After an APP\_VERIFY this bit is only cleared by doing a reset or starting the application.

For details on downloading new application firmware please refer to application note **ams** AN000371.

### **APP\_START (Application Start) Register (0xF4)**

To change the mode of the CCS811 from Boot mode to running the application, a single byte write of 0xF4 is required.

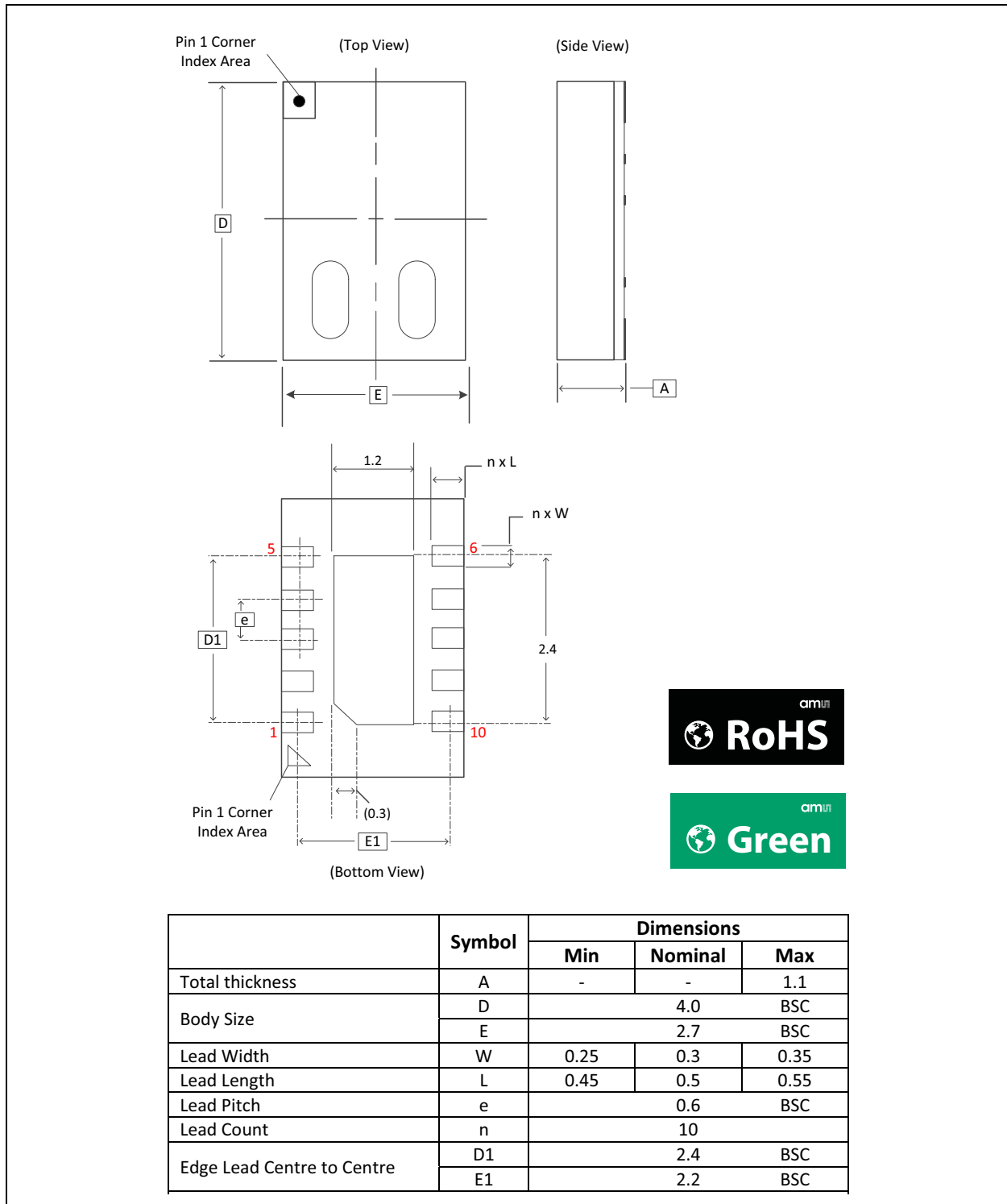
The CCS811 interprets this as an address write to select the 'APP\_START' register and starts running the loaded application software if it is a valid version (*Refer to the [STATUS Register \(0x00\)](#)*).



## Package Drawings & Marking

### LGA Package Outline

**Figure 23:**  
LGA Package Drawings



**Note(s):**

1. All dimensions are in millimeters.



## Ordering & Contact Information

**Figure 25:**  
Ordering Information

Ordering Code	Description	Package	MOQ
CCS811B-JOPR5K	CCS811 digital gas sensor for Indoor Air Quality Monitoring	2.7mm x 4.0mm x 1.1mm LGA	5000
CCS811B-JOPD500	Sample of CCS811 digital gas sensor for Indoor Air Quality Monitoring	2.7mm x 4.0mm x 1.1mm LGA	500

**Note(s):**

1. Refer to JEDEC J-STD020 lead-free standard for typical soldering reflow profile

Technical Support is available at:

[www.ams.com/Technical-Support](http://www.ams.com/Technical-Support)

Provide feedback about this document at:

[www.ams.com/Document-Feedback](http://www.ams.com/Document-Feedback)

For further information and requests, e-mail us at:

[ams\\_sales@ams.com](mailto:ams_sales@ams.com)

For sales offices, distributors and representatives, please visit:

[www.ams.com/contact](http://www.ams.com/contact)

**Headquarters**

ams AG  
Tobelbader Strasse 30  
8141 Premstaetten  
Austria, Europe

Tel: +43 (0) 3136 500 0

Website: [www.ams.com](http://www.ams.com)

## RoHS Compliant & ams Green Statement

**RoHS:** The term RoHS compliant means that ams AG products fully comply with current RoHS directives. Our semiconductor products do not contain any chemicals for all 6 substance categories, including the requirement that lead not exceed 0.1% by weight in homogeneous materials. Where designed to be soldered at high temperatures, RoHS compliant products are suitable for use in specified lead-free processes.

**ams Green (RoHS compliant and no Sb/Br):** ams Green defines that in addition to RoHS compliance, our products are free of Bromine (Br) and Antimony (Sb) based flame retardants (Br or Sb do not exceed 0.1% by weight in homogeneous material).

**Important Information:** The information provided in this statement represents ams AG knowledge and belief as of the date that it is provided. ams AG bases its knowledge and belief on information provided by third parties, and makes no representation or warranty as to the accuracy of such information. Efforts are underway to better integrate information from third parties. ams AG has taken and continues to take reasonable steps to provide representative and accurate information but may not have conducted destructive testing or chemical analysis on incoming materials and chemicals. ams AG and ams AG suppliers consider certain information to be proprietary, and thus CAS numbers and other limited information may not be available for release.

## Copyrights & Disclaimer

Copyright ams AG, Tobelbader Strasse 30, 8141 Premstaetten, Austria-Europe. Trademarks Registered. All rights reserved. The material herein may not be reproduced, adapted, merged, translated, stored, or used without the prior written consent of the copyright owner.

Devices sold by ams AG are covered by the warranty and patent indemnification provisions appearing in its General Terms of Trade. ams AG makes no warranty, express, statutory, implied, or by description regarding the information set forth herein. ams AG reserves the right to change specifications and prices at any time and without notice. Therefore, prior to designing this product into a system, it is necessary to check with ams AG for current information. This product is intended for use in commercial applications. Applications requiring extended temperature range, unusual environmental requirements, or high reliability applications, such as military, medical life-support or life-sustaining equipment are specifically not recommended without additional processing by ams AG for each application. This product is provided by ams AG "AS IS" and any express or implied warranties, including, but not limited to the implied warranties of merchantability and fitness for a particular purpose are disclaimed.

ams AG shall not be liable to recipient or any third party for any damages, including but not limited to personal injury, property damage, loss of profits, loss of use, interruption of business or indirect, special, incidental or consequential damages, of any kind, in connection with or arising out of the furnishing, performance or use of the technical data herein. No obligation or liability to recipient or any third party shall arise or flow out of ams AG rendering of technical or other services.

## Document Status

Document Status	Product Status	Definition
Product Preview	Pre-Development	Information in this datasheet is based on product ideas in the planning phase of development. All specifications are design goals without any warranty and are subject to change without notice
Preliminary Datasheet	Pre-Production	Information in this datasheet is based on products in the design, validation or qualification phase of development. The performance and parameters shown in this document are preliminary without any warranty and are subject to change without notice
Datasheet	Production	Information in this datasheet is based on products in ramp-up to full production or full production which conform to specifications in accordance with the terms of ams AG standard warranty as given in the General Terms of Trade
Datasheet (discontinued)	Discontinued	Information in this datasheet is based on products which conform to specifications in accordance with the terms of ams AG standard warranty as given in the General Terms of Trade, but these products have been superseded and should not be used for new designs

## Revision Information

Changes from 1-03 (2017-Sep-28) to current revision 1-04 (2018-Mar-09)	Page
Updated text under General Description	1
Updated Figure 1	2
Updated Figure 2	3
Updated Figure 3	4
Updated Figure 7 and notes under it	7
Updated text under Early-Life Use (Burn-In)	8
Updated text under Conditioning Period (Run-In), eCO <sub>2</sub> , TVOC and Automatic Baseline Correction	9
Updated text under Manual Baseline Correction	10
Updated text under I <sup>2</sup> C Interface	12
Updated Figure 11	14
Updated Figure 12	15
Updated Figure 13	16
Updated text under RAW_DATA Register (0x03)	17
Updated text under Figure 17	18
Updated THRESHOLDS Register (0x10) and BASELINE Register (0x11)	19

**Note(s):**

1. Page and figure numbers for the previous version may differ from page and figure numbers in the current revision.
2. Correction of typographical errors is not explicitly mentioned.

## Appendix

### References

**Figure 26:**  
**Document Reference**

Document Reference	Description
<b>ams</b> AN000367	CCS811 Assembly guidelines
<b>ams</b> AN000368	CCS811 Design guidelines
<b>ams</b> AN000369	CCS811 Programming and interfacing guide
<b>ams</b> AN000370	CCS811 Clean air baseline save and restore
<b>ams</b> AN000371	CCS811 Performing a firmware download
<b>ams</b> AN000373	CCS811 Manufacture test procedure
<b>ams</b> WP000102	IAQ User experience during initial operation



## Content Guide

<b>1</b>	<b>General Description</b>
2	Key Benefits & Features
2	Applications
3	Block Diagram
<b>4</b>	<b>Pin Assignment</b>
<b>5</b>	<b>Absolute Maximum Ratings</b>
<b>6</b>	<b>Electrical Characteristics</b>
<b>8</b>	<b>Detailed Description</b>
8	Modes of Operation
8	Early-Life Use (Burn-In)
9	Conditioning Period (Run-In)
9	eCO <sub>2</sub>
9	TVOC
9	Temperature and Humidity Compensation
9	Interrupt and Interrupt on Threshold
9	Automatic Baseline Correction
10	Manual Baseline Correction
<b>12</b>	<b>Application Information</b>
12	Host System Software Requirements
13	I <sup>2</sup> C Interface
13	I <sup>2</sup> C Register Write
14	I <sup>2</sup> C Register Read
<b>15</b>	<b>Application Register Overview</b>
16	STATUS Register (0x00)
17	MEAS_MODE (Measurement and Conditions) Register (0x01)
18	ALG_RESULT_DATA (Algorithm Results Data) Register (0x02)
18	RAW_DATA Register (0x03)
19	ENV_DATA (Environment Data) Register (0x05)
19	Relative Humidity
20	THRESHOLDS Register (0x10)
20	BASELINE Register (0x11)
20	HW_ID (Hardware identifier) Register (0x20)
20	HW_Version (Hardware Version) Register (0x21)
21	FW_Boot_Version (Firmware Bootloader Version) Register (0x23)
22	FW_App_Version (Firmware Application Version) Register (0x24)
22	ERROR_ID (Error Identifier) Register (0xE0)
23	SW_RESET Register (0xFF)
<b>24</b>	<b>Bootloader Register Overview</b>
25	APP_ERASE (Application Erase) Register (0xF1)
25	APP_DATA (Application Data) Register (0xF2)
25	APP_VERIFY (Application Verify) Register (0xF3)
25	APP_START (Application Start) Register (0xF4)

<b>26</b>	<b>Package Drawings &amp; Marking</b>
26	LGA Package Outline
<b>28</b>	<b>Ordering &amp; Contact Information</b>
<b>29</b>	<b>RoHS Compliant &amp; ams Green Statement</b>
<b>30</b>	<b>Copyrights &amp; Disclaimer</b>
<b>31</b>	<b>Document Status</b>
<b>32</b>	<b>Revision Information</b>
<b>33</b>	<b>Appendix</b>
33	References