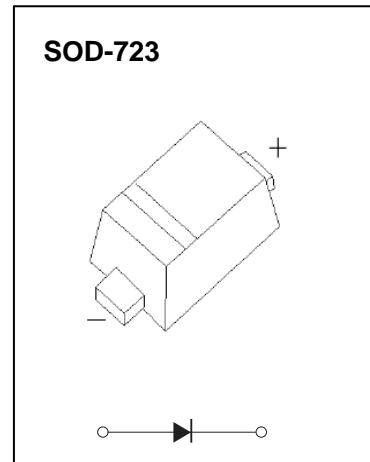




**SOD-723 Plastic-Encapsulate Diodes**

**RB520G-30** Schottky barrier Diode



**FEATURES**

- Small surface mounting type
- Low reverse current and low forward voltage
- High reliability

**MARKING: E**

**Maximum Ratings and Electrical Characteristics, Single Diode @Ta=25°C**

Parameter	Symbol	Limit	Unit
DC reverse voltage	$V_R$	30	V
Mean rectifying current	$I_O$	100	mA
Peak forward surge current	$I_{FSM}$	500	mA
Power dissipation	$D_8$	100	mW
Thermal Resistance Junction to Ambient	$\theta_{JA}$	1000	°C/W
Junction temperature	$T_j$	125	°C
Storage temperature	$T_{stg}$	-55~+150	°C

**Electrical Ratings @Ta=25°C**

Parameter	Symbol	Min	Typ	Max	Unit	Conditions
Forward voltage	$V_F$			0.45	V	$I_F=10mA$
Reverse current	$I_R$			0.5	$\mu A$	$V_R=10V$