

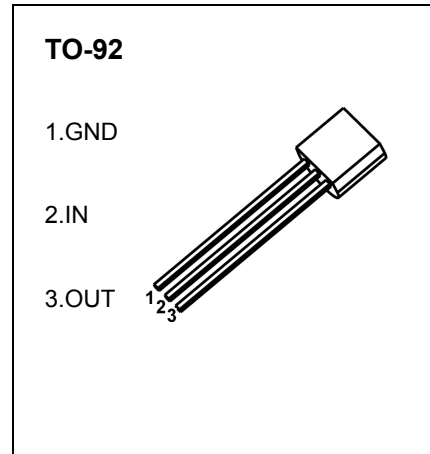


TO-92 Encapsulate Three-terminal voltage regulators

CJ79L09 Three-terminal negative voltage regulator

FEATURES

- Maximum output current
 $I_{OM}: 0.1\text{ A}$
- Output voltage
 $V_O: -9\text{ V}$
- Continuous total dissipation
 $P_D: 0.625\text{ W}$



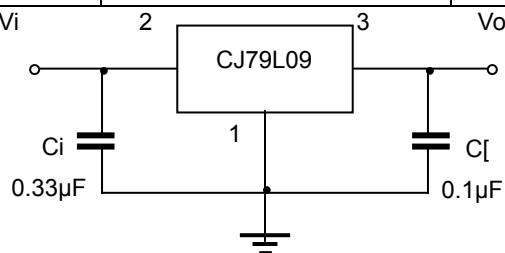
ABSOLUTE MAXIMUM RATINGS (Operating temperature range applies unless otherwise specified)

Parameter	Symbol	Value	Unit
Input Voltage	V_I	-30	V
Operating Junction Temperature Range	T_{OPR}	0—+150	°C
Storage Temperature Range	T_{STG}	-55—+150	°C

ELECTRICAL CHARACTERISTICS AT SPECIFIED VIRTUAL JUNCTION TEMPERATURE ($V_i=-16\text{V}, I_o=40\text{mA}, C_i=0.33\mu\text{F}, C_o=0.1\mu\text{F}$, unless otherwise specified)

Parameter	Symbol	Test conditions	Min	Typ	Max	Unit	
Output Voltage	V_o	25°C	-8.64	-9.0	-9.36	V	
		0-125°C	-12V≤ V_i ≤-24V, $I_o=1\text{mA}-40\text{mA}$	-8.55	-9.0	-9.45	V
			$I_o=1\text{mA}-70\text{mA}$	-8.55	-9.0	-9.45	V
Load Regulation	ΔV_o	$I_o=1\text{mA}-100\text{mA}$	25°C	19	90	mV	
		$I_o=1\text{mA}-40\text{mA}$	25°C	11	40	mV	
Line Regulation	ΔV_o	-12 V≤ V_i ≤-24V	25°C	45	175	mV	
		-13V≤ V_i ≤-24V	25°C	40	125	mV	
Quiescent Current	I_q	25°C		4.1	6.0	mA	
Quiescent Current Change	ΔI_q	-13V≤ V_i ≤-24V	0-125°C		1.5	mA	
	ΔI_q	1mA≤ V_i ≤40mA	0-125°C		0.1	mA	
Output Noise Voltage	V_N	10Hz≤f≤100KHz	25°C	58		V	
Ripple Rejection	RR	-15V≤ V_i ≤-24V, f=120Hz	0-125°C	45		dB	
Dropout Voltage	V_d	25°C		1.7		V	

TYPICAL APPLICATION



Note: Bypass capacitors are recommended for optimum stability and transient response and should be located as close as possible to the regulators