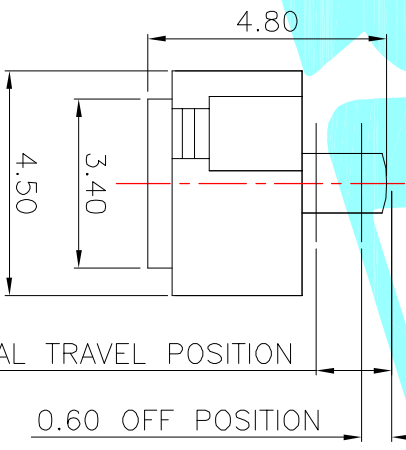
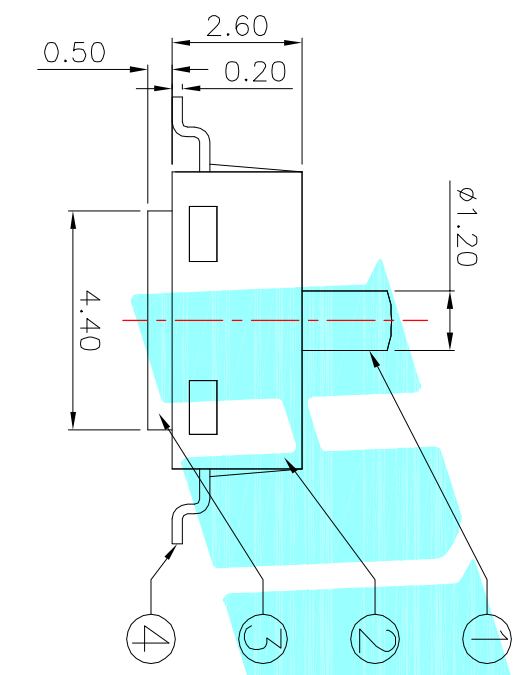


Circuit Diagram



Hole Layout(top view)

NOTE:
 Rating: DC 5V 5mA
 Operating Force: 30±10gf
 Lifetime: 100,000 Cycles

ITEM	PART NAME	TER'NO.	QTY.	MATERIAL	FINISHING	REMARK
⑥	Spring	—	1	SUS	Natural	—
⑤	Contact Spring	—	1	Phosphor Bronze	Ag Plated	—
④	Terminal	—	2	Phosphor Bronze	Ag Plated	—
③	Base	—	1	NYLON	Black	—
②	Cover	—	1	NYLON	Black	—
①	Knob	—	1	NYLON	White	—

APPROVALS		DATE	TITLE:	
DRAWN	J.X.Zhang	2013/9/13	DETECTOR SWITCHS	
CHECKED			ELECTRONICS CO.,LTD	

ECN NO.	REV.	DATE.	DESCRIPTION.	CHANGE.	CHECK.	APPRO.	TOLERANCES ARE	ANGLE	UNIT:	SCALE:	PROJ:	SHEET
	A		NEW				30±0.15	±0.30	mm	1:1	PROJ: 1656SN-01	1 OF 1
							10~30	±0.20				
							5~10	±0.15				
							~5	±0.10				