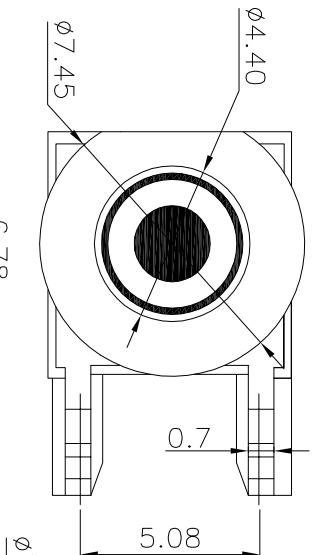
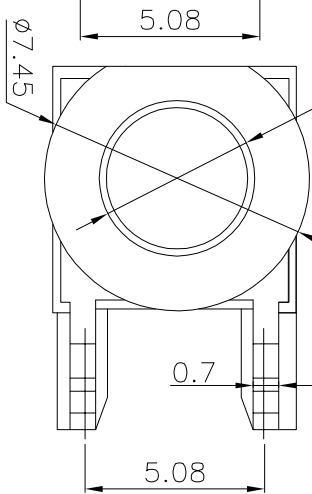


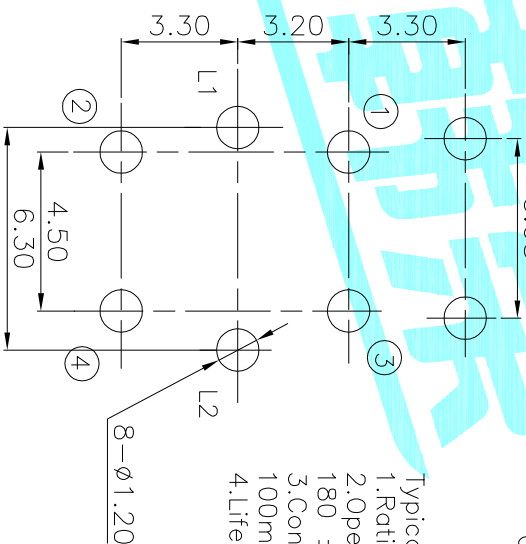
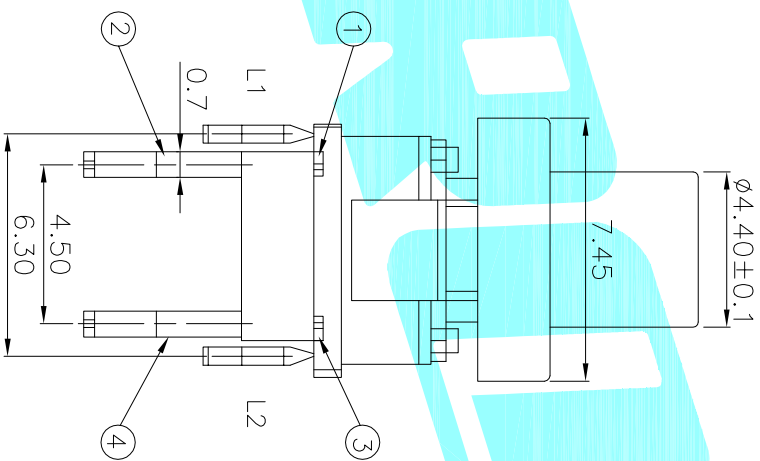
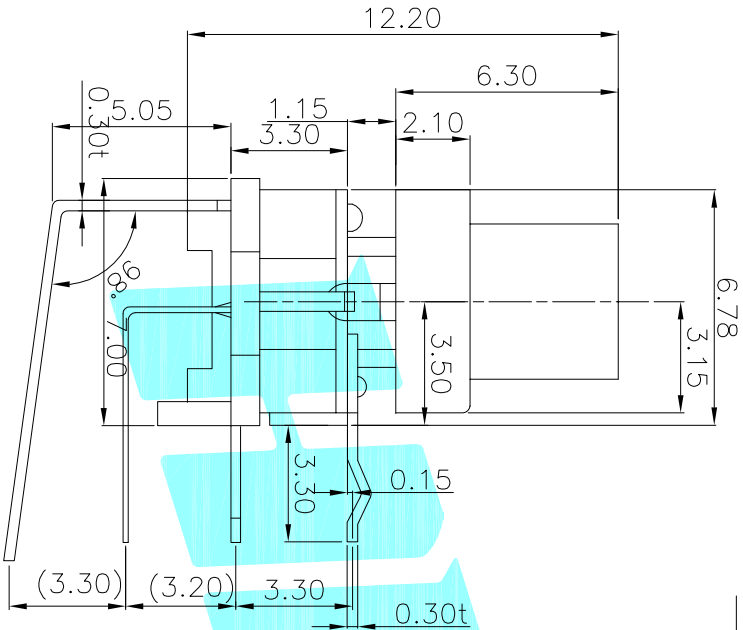
帽子喷涂银色



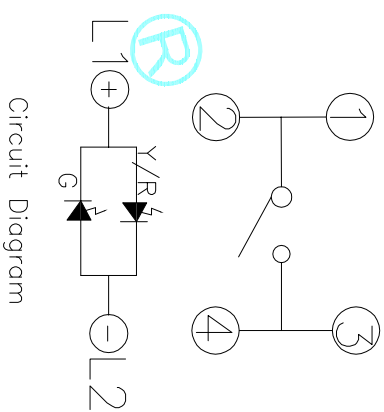
本色



LED colour(LED颜色)	Part No. (料号)
Whiter(白色)	K6-6156F01
Red(红色)	K6-6156F02
Blue(蓝色)	K6-6156F03
Green(绿色)	K6-6156F04
Yellow/Green(黄/绿色)	K6-6156F05
Red/Blue(红/蓝色)	K6-6156F06
Red/Green(红/绿色)	K6-6156F07



PCB layout (Pattern Side)



Circuit Diagram

- Typical Specifications
1. Rating : DC 12V 50mA
  2. Operating Force : 180 ± 30 gf
  3. Contact Resistance : 100mΩMAX
  4. Life : 300,000 Cycles Min

ITEM	PART NAME	TER.NO.	QTY.	MATERIAL	FINISHING	REMARK
①	Housing		1	Nylon	Black	
②	Terminal		4	Phosphor bronze	Au Pating	

APPROVALS	DATE	TITLE
DRAWN J.X.Zhong	2013/11/11	LED Tact Switch
CHECKED		
APPROVALS		

ECN NO.	REV.	DATE.	DESCRIPTION.	CHANGE.	CHECK.	APPRO.
	A		NEW			
TOLERANCES ARE			30~0.15	±0.30	ANGLE	
			10~0.30	±0.20	UNIT: mm	SCALE: 1:1
			5~0.10	±0.15		PROJ:
			~5	±0.10		SHEET 1 OF 1



ELECTRONICS CO.,LTD

PART NO. K6-6156F01

DRAWING NO.