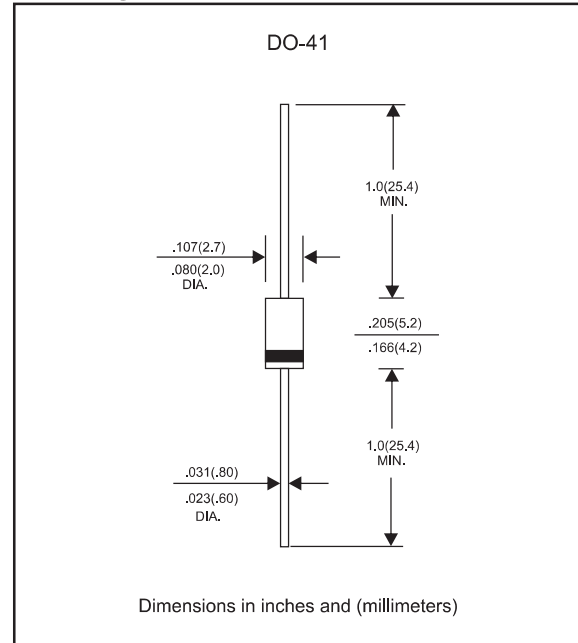


1N4733A THRU 1N4764A**1000mW Axial Lead Zener
Diodes - 5.1V-100V****Features**

- High reliability
- Very sharp reverse characteristic
- Wide zener reverse voltage range 5.1V to 100 V.
- Low reverse current level
- VZ-tolerance $\pm 5\%$
- Lead-free parts meet environmental standards of MIL-STD-19500 /228
- Suffix "-H" indicates Halogen-free parts

Mechanical data

- Epoxy : UL94-V0 rated flame retardant
- Case : Molded plastic, DO-41
- Lead : Axial leads, solderable per MIL-STD-202, Method 208 guaranteed
- Polarity: Color band denotes cathode end
- Mounting Position : Any
- Weight : Approximated 0.33 gram

Package outline**MAXIMUM RATINGS** (at $T_A=25^\circ\text{C}$ unless otherwise noted)

PARAMETER	CONDITIONS	Symbol	MIN.	TYP.	MAX.	UNIT
Forward voltage	$I_F = 200 \text{ mA}$	V_F			1.20	V
Power dissipation	$T_{amb} \leq 50^\circ\text{C}$	P_D			1000	mW
Operating junction temperature range		T_J	-65		+175	$^\circ\text{C}$
Storage temperature range		T_{STG}	-65		+175	$^\circ\text{C}$

These ratings are limiting values above which the serviceability of the diode may be impaired

1N4733A THRU 1N4764A

Electrical characteristics (at $T_A=25^\circ\text{C}$ unless otherwise noted)

Type	Zener Voltage Range				Dynamic Resistance			Reverse Current		Maximum Surge Current ¹⁾	Maximum Regulator Current
	VZL (V) min	VZN (V) nom	VZH (V) max	IT(mA)	ZZT (Ω) max	ZZK (Ω) max	IZK (mA)	IR (μA)	VR(V)	I _{ZSM} (mA)	I _{ZM} (mA)
1N4733A	4.84	5.10	5.36	49.0	7	550	1.00	10	1.0	890	178
1N4734A	5.32	5.60	5.88	45.0	5	600	1.00	10	2.0	810	162
1N4735A	5.89	6.20	6.51	41.0	2	700	1.00	10	3.0	730	146
1N4736A	6.46	6.80	7.14	37.0	4	700	1.00	10	4.0	660	133
1N4737A	7.12	7.50	7.88	34.0	4	700	0.50	10	5.0	605	121
1N4738A	7.79	8.20	8.61	31.0	5	700	0.50	10	6.0	550	110
1N4739A	8.64	9.10	9.56	28.0	5	700	0.50	10	7.0	500	100
1N4740A	9.50	10.00	10.50	25.0	7	700	0.25	10	7.6	454	91
1N4741A	10.45	11.00	11.55	23.0	8	700	0.25	5	8.4	414	83
1N4742A	11.40	12.00	12.60	21.0	9	700	0.25	5	9.1	380	76
1N4743A	12.35	13.00	13.65	19.0	10	700	0.25	5	9.9	344	69
1N4744A	14.25	15.00	15.75	17.0	14	700	0.25	5	11.4	304	61
1N4745A	15.20	16.00	16.80	15.5	16	700	0.25	5	12.2	285	57
1N4746A	17.10	18.00	18.90	14.0	20	750	0.25	5	13.7	250	50
1N4747A	19.00	20.00	21.00	12.5	22	750	0.25	5	15.2	225	45
1N4748A	20.90	22.00	23.10	11.5	23	750	0.25	5	16.7	205	41
1N4749A	22.80	24.00	25.20	10.5	25	750	0.25	5	18.2	190	38
1N4750A	25.65	27.00	28.35	9.5	35	750	0.25	5	20.6	170	34
1N4751A	28.50	30.00	31.50	8.5	40	1000	0.25	5	22.8	150	30
1N4752A	31.35	33.00	34.65	7.5	45	1000	0.25	5	25.1	135	27
1N4753A	34.20	36.00	37.80	7.0	50	1000	0.25	5	27.4	125	25
1N4754A	37.05	39.00	40.95	6.5	60	1000	0.25	5	29.7	115	23
1N4755A	40.85	43.00	45.15	6.0	70	1500	0.25	5	32.7	110	22
1N4756A	44.65	47.00	49.35	5.5	80	1500	0.25	5	35.8	95	19
1N4757A	48.45	51.00	53.55	5.0	95	1500	0.25	5	38.8	90	18
1N4758A	53.20	56.00	58.80	4.5	110	2000	0.25	5	42.6	80	16
1N4759A	58.90	62.00	65.10	4.0	125	2000	0.25	5	47.1	70	14
1N4760A	64.60	68.00	71.40	3.7	150	2000	0.25	5	51.7	65	13
1N4761A	71.25	75.00	78.75	3.3	175	2000	0.25	5	56.0	60	12
1N4762A	77.90	82.00	86.10	3.0	200	3000	0.25	5	62.2	55	11
1N4763A	86.45	91.00	95.55	2.8	250	3000	0.25	5	69.2	50	10
1N4764A	95.00	100.00	105.00	2.5	350	3000	0.25	5	76.0	45	9

Rating and characteristic curves (1N4733A THRU 1N4764A)

Figure 1 - Breakdown characteristics

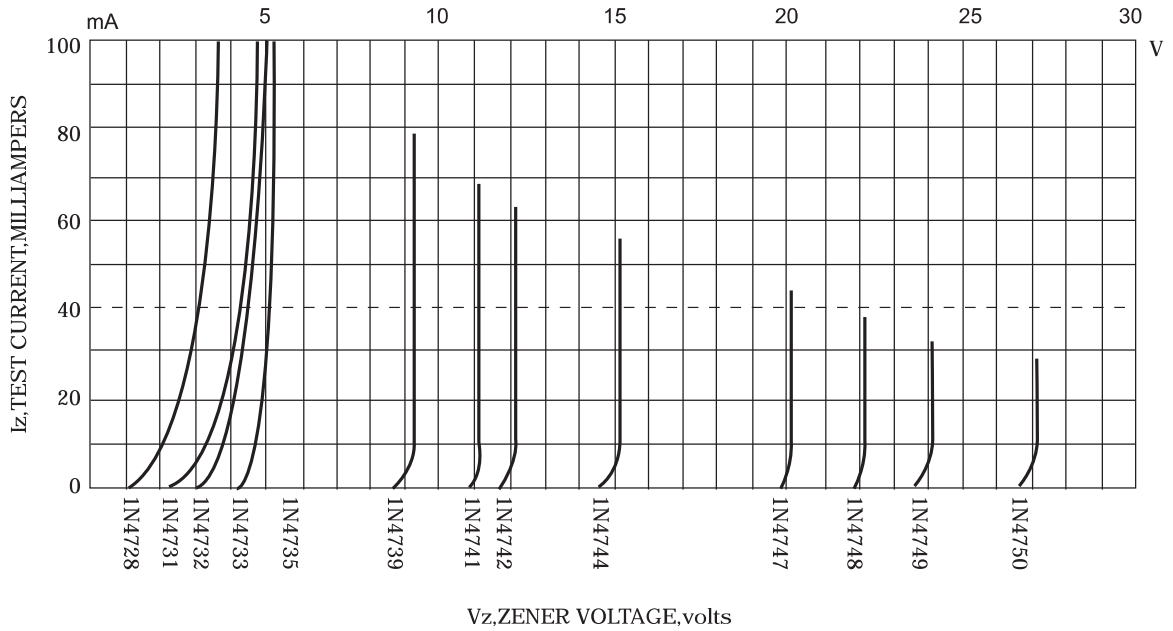
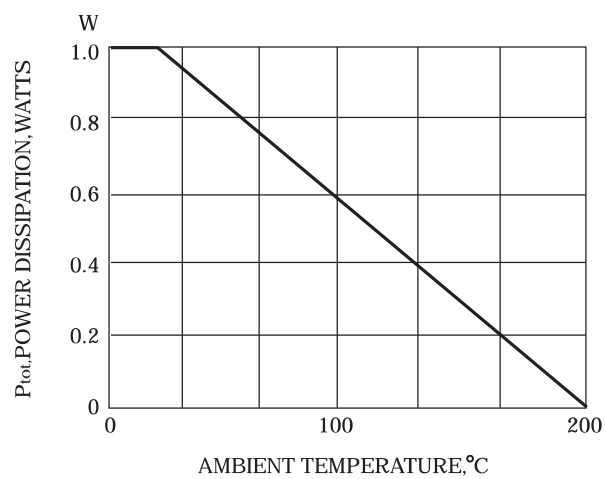




Figure 2 - Admissible power dissipation versus ambient temperature

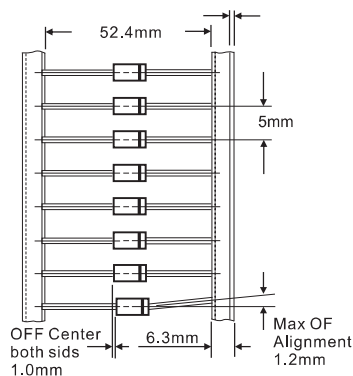


1N4733A THRU 1N4764A

Pinning information

Pin	Simplified outline	Symbol
Pin1 cathode Pin2 anode		

Taping specifications for AXIAL devices



AMMO PACKING

DEVICE CASE TYPE	Q'TY 1 (PCS / BOX)	INNER BOX SIZE (m/m)	CARTON SIZE (m/m)	Q'TY 2 (PCS / CARTON)	APPROX. CROSS WEIGHT(kg)
DO-41	5,000	260 * 83 * 160	440 * 270 * 340	50,000	20.0