



### 5TR 产品规格书

## 5TR Sub-miniature fuse-link Specification

### 1. 适用范围 (Available range):

本保险丝适用于保护家用电器、电子仪器, 电源供应器、显示器等。

For protecting instruments, power supply devices and telephone sets etc.

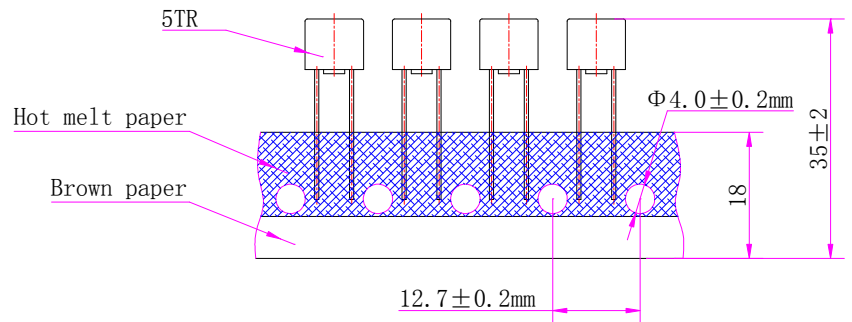
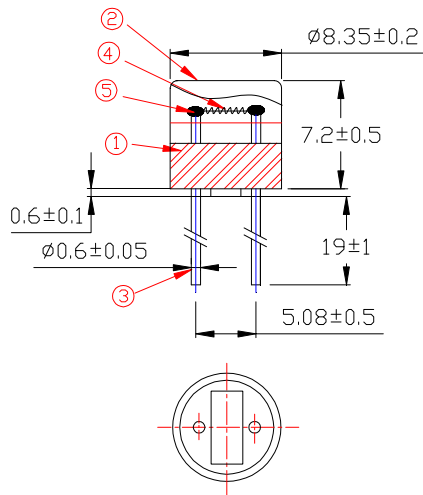
### 2. 相关标准 Safety Standards: GB9364 IEC60127

取得认证

Approved file No:



### 3. 结构尺寸 (Size and Structure)

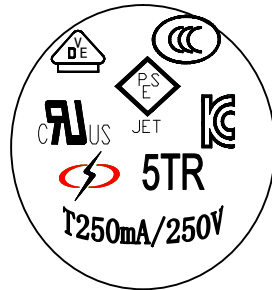




编号 No.	部件 Part Name	材料 Material	备注 Remarks
①	内芯 Base	塑料 Plastic	
②	外壳 Cap	塑料 Plastic	
③	引脚 Lead Wire	镀锡铜线 stannum plated copper	
④	熔丝 Fuse Element	合金 Alloy	
⑤	焊锡 Solder	锡线 (Sn99.3%Cu0.7%) Solder wire( Sn99.3%Cu0.7%)	RoHS

3.1 型号及标示 (Catalogue No.,and indication)

例如:



型号 Catalogue No.	额定电压/电流 RatedVoltage/Current	商标.品名.认证 Trademark.Type.Approved mark	认证号 Approval No.
5TR series	5TR T250mA (250mA-4A) /250V		

3.2 壳体 (Tube)

壳体应印字清晰, 且无开裂、位移等不良。

The tube shall have no defects such as crack, injury and contamination



### 3.3 端子 (Terminations)

5TR 保险丝端子应固定牢固，产品未被损坏时，端子就不可能被拆卸。

端子应承受如下的作用力而没有损坏：

The Sub-miniature fuse-links terminations should be firmly attached, At the conclusion of testing, the Sub-miniature fuse-links terminations shall remain firmly attached.

1) 拉力试验：固定壳体，对引脚施加大小为 10N 的水平拉力，保险丝应无任何损坏。

Tensile: the force applied shall be 10N.

2) 推力试验：固定壳体，对引脚施加大小为 2N 的水平推力，保险丝应无任何损坏。

Thrust: the force applied shall be 2N.

3) 弯曲试验：本试验只适用于引脚长度大于 5mm 的产品，在距离壳体 2 ~ 3mm 的地方将引脚弯折 90° 1 次，并施加大小为 5N 的拉力，保险丝应无任何损坏。

Bending: the force applied shall be 5N and the number of bends shall be one.

## 4. 电气特性 (Electrical performance)

### 4.1 测试条件 (Testing Ambient)

全部测试条件都应在下列大气条件下进行：

(All tests should be carried out under the following conditions)

--温度 15℃ ~ 35℃； (--Surrounding temperature: 15 ~ 35℃)

--相对湿度：45% ~ 75%； (--Relative humidity: 45% ~ 75%； )



--大气压力:  $8.6 \times 10^4$  Pa ~  $1.06 \times 10^5$  Pa

--Atmosphere pressure:  $8.6 \times 10^4$  Pa ~  $1.06 \times 10^5$  Pa






4.2 预飞弧/时间电流特性 (Time-current Characteristic)

测试电流 Test Current	熔断时间 (Blow Time)	
	Min 最小	Max 最大
150%	1h	
210%		2min
275%	400ms	10s
400%	150ms	3s
1000%	20ms	150ms

5. 分断能力 (Breaking Capacity)

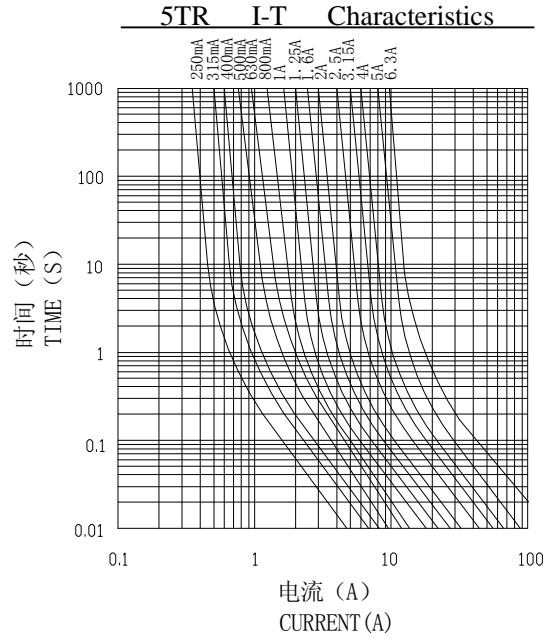
用 AC 250V 100A. 电路做分断能力测试, 保险丝分断电路后, 不应出现壳体破裂 (注: 壳体可出现裂纹但不脱离保险管)、穿孔、标记难以辨认等现象, 两脚的绝缘电阻应不小于  $0.1M\Omega$ 。

Rated breaking capacity: 100A (AC250V). After the test, the marking shall still be legible and soldered joints on end caps, for example, shall not show and appreciable deterioration.

Model	Rated Current	Safe attestation Breaking current
		    
5TR Series	所有	100A AC 250V



### 6. 时间电流特性曲线图 (Time-current curves)



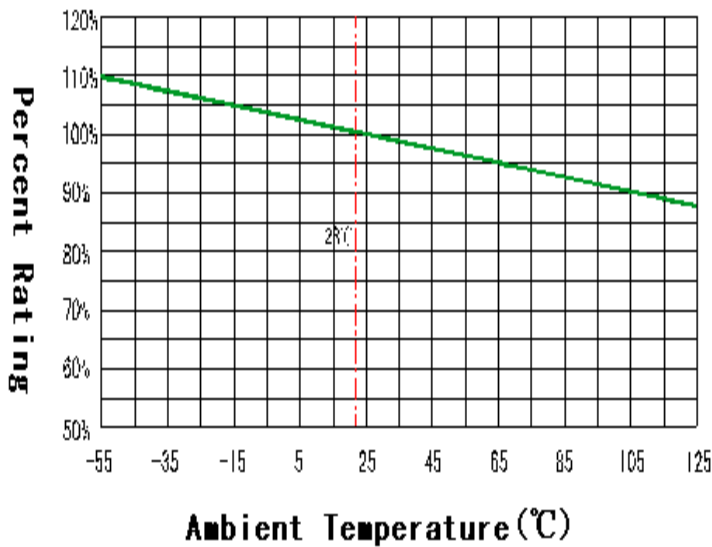
### 7. 环保焊接条件 Soldering conditions (RoHS)

波峰焊/Wave solder: 260°C, ≤5S

手工焊/Hand solder: 360°C, ≤1S

### 8. 环境特性 Environmental characteristic

#### 8.1 温度-电流负荷比曲线 Temperature-Current Curve





8.2 贮存条件 Storage conditions

贮存温度/Storage temperature: 5°C ~ 35°C

贮存湿度/Storage humidity:25% ~ 85%

贮存周期/Storage time:6 months

9. 信赖性试验 (Reliability test)

项目/Item	试验要求/Test Requirement	试验条件/Test Condition
高低温试验 High & low Temperature Test	试验后保险丝管的电阻符合范围 After test, the resistance value of the fuses shall be in range	测试高温: 85°C, 测试时间: 48h Test high temperature: 85°C, Test time: 48h; 测试低温: -20°C, 测试时间: 48h Test low temperature: -20°C, Test time 48h
高湿试验 High Humidity Test	试验后保险丝管的电阻符合范围 After test, the resistance value of the fuses shall be in range	测试温度: 85°C, 测试湿度: 95%. 测试时间: 96h Test temperature: 85°C, Test humidity; 95% Test time: 96h
落下、冲击试验 Falling Shock Test	外壳应固定牢固, 以保证在未损坏熔断体时, 外壳不能被卸下, 引线应能经受专用的设备外加轴向拉力 5N, 保持 1 分钟, 保险管必须无缺陷破裂和缺损, 试验后保险丝管的电阻符合范围。 Cap should be firmly attached so that it is not possible to remove them without damaging the fuse itself. The means of attachment shall be sufficient to withstand an axial pull of 5N applied to Lead wire for 1 minute. The fuse shall have no defects such as crack and injury .After falling shock test, the resistance value of the fuses shall be range.	保险管从 152cm 高度自由落下, 跌落 5 次。 Falling Height: 152cm Falling Time: 5
振动试验 Vibration	试验后保险丝管的电阻符合范围 After test, the resistance value of the fuses shall be in range	振幅 1.5mm, 频率 10 ~ 55 ~ 10HZ, 时间 2 小时 Amplitude: 1.5mm, Frequency: 10 ~ 55 ~ 10HZ, Test time ; 2h



10. 标志 (Marking)

1) 额定电流 (Rated current): 250mA (250mA-4A)

2) 额定电压 (Rated voltage): 250V

3) 特性符号 (Character sign): T

4) 安全认证标志 (Safety mark logo):

5) 本体上应印有本司标 (Trade mark):

11. 包装 (仅供参考, 以实际数量为准) (Packaging):



1000Pcs/盒

1000PCS/Bag

1000Pcs/盒

1000PCS/Box

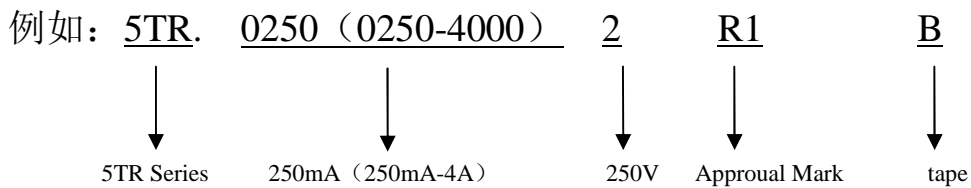
10000Pcs/盒

10000PCS/ External Carton

12. 认证和环保/Certification and RoHS

参考附加档案/See the attached files

13. 料号解释/Part No description



13. 文件管控/Document control

Table with 4 columns: Edition, Date, Description, version. Row 1: 1, 2017-02-17, 新版发行/New version, 3.0. Row 2: 2, empty, empty, empty.