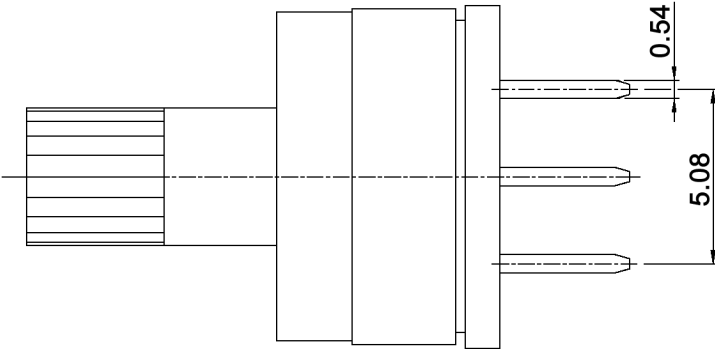
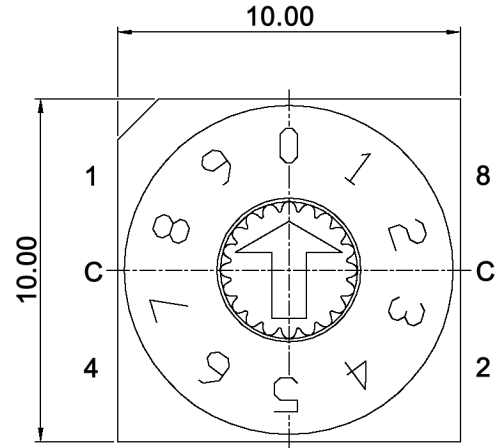
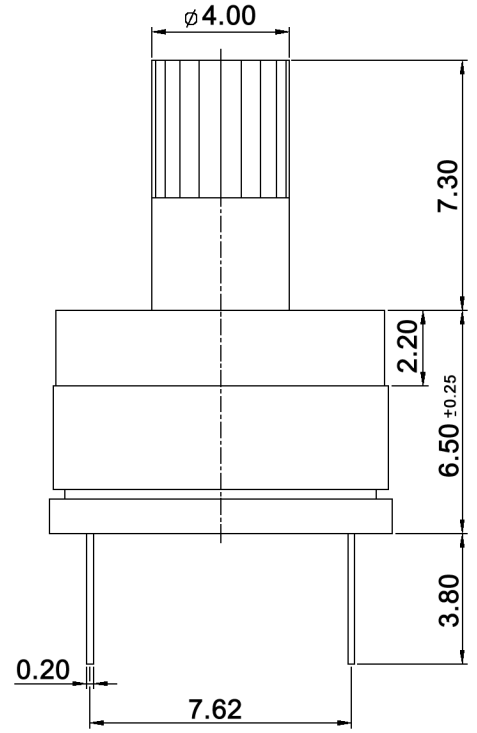
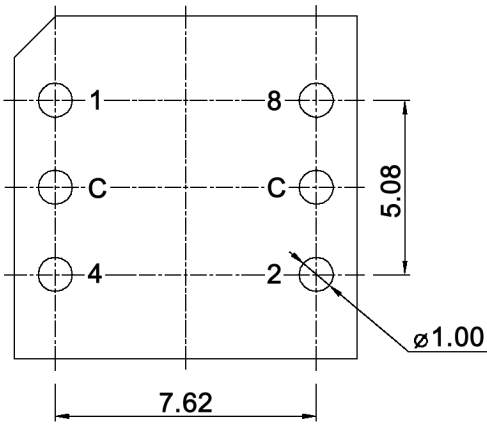


P.C.B. DIMENSION



Specifications:

- Contact rating: switching: 25mA, 24V DC
non-switching: 100mA, 50V DC
- Contact resistance: 80mOhm max.
- Insulation resistance: 100MOhm min.
- Mechanical life: 10 000 cycles
- Operating force: 700gf max.
- Operating temperature: -40°C to +85°C
- Storage temperature: -40°C to +85°C
- Soldering conditions: pre-heat: max. 120°C, max. 70sec.
wave soldering: max. 260°C, max. 10sec.
- Color of actuator: grey
- IP rating: IP67

BCD inverse

		Complement coded				
		C	1	2	4	8
10 P o s i t i o n s	0	●	●	●	●	●
	1	●		●	●	●
	2	●	●		●	●
	3	●			●	●
	4	●	●	●		●
	5	●		●		●
	6	●	●			●
	7	●				●
	8	●	●	●	●	
	9	●		●	●	



Tolerances:	Date	Name
		02/08
Soldering conditions	01/11	dr
IP rating	07/09	dr
Operating temperature	11/08	dr
Modifications	Date	Name

DRS 61110

30 13 84

knitter-switch

Page

1/1