



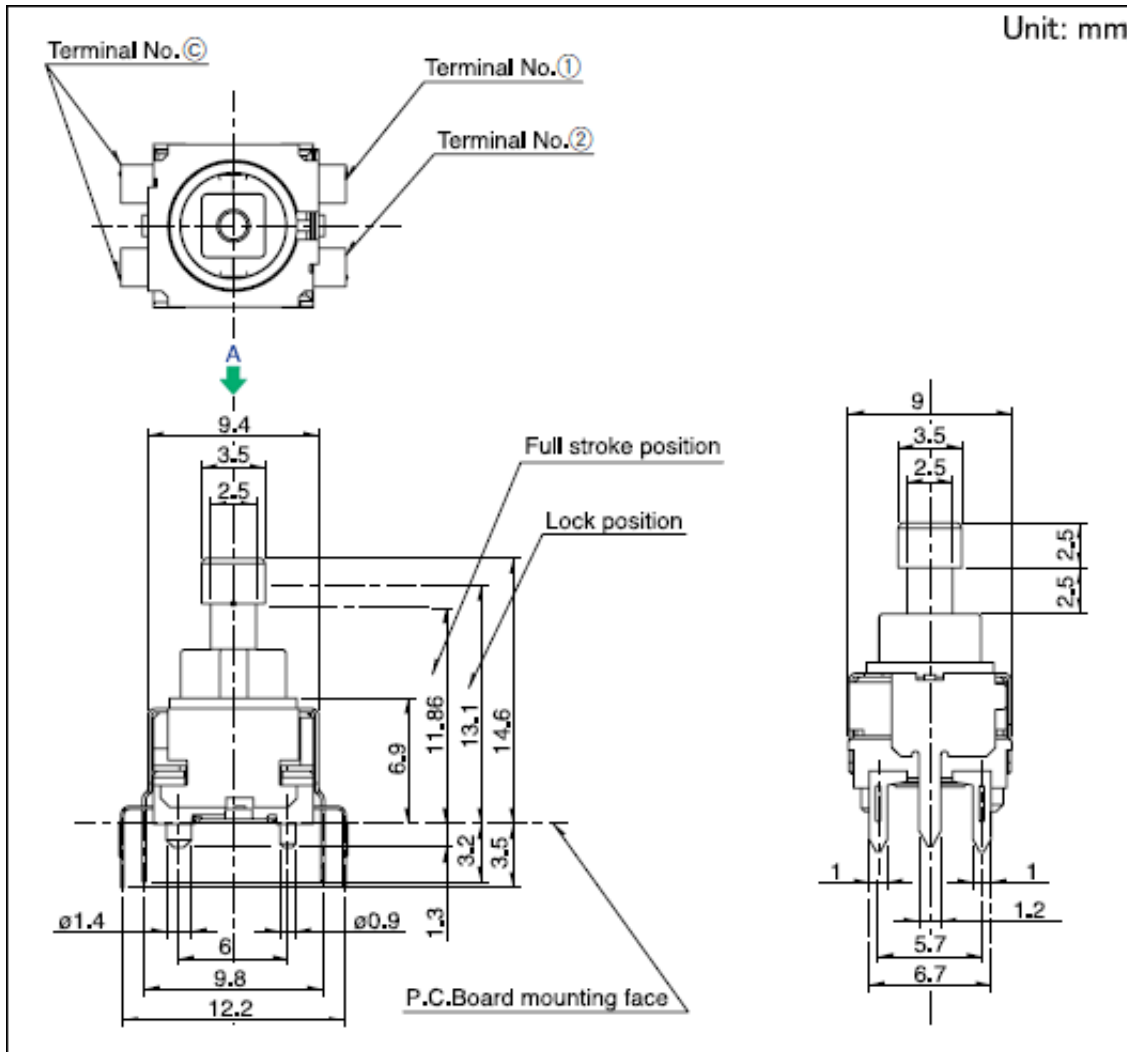
1.5mm-travel Vertical Type SPEF Series

Part number	SPEF110100		
Changeover timing	Non shorting		
Travel	1.5mm		
Total travel	2.7mm		
Operating force	3N		
Mounting method	PC board		
Poles-Positions	1-pole, 2-position		
Operation	Latching		
Terminal type	Dip		
Operating temperature range	-40°C to +85°C		
Rating (max.)/(min.) (Resistive load)	1A 14.5V DC/50μA 3V DC		
Electrical performance	Contact resistance (Initial performance/After lifetime)	100mΩ max./100mΩ max.	
	Insulation resistance	3MΩ min. 100V DC	
	Voltage proof	100V AC for 1 minute	
Mechanical performance	Actuator strength	Operating direction	90N
		Pulling direction	30N
Durability	Operating life with load (at max. rated load)	30,000 cycles 100mΩ max.	
Environmental performance	Cold	-40°C 96h	
	Dry heat	85°C 96h	
	Damp heat	40°C, 90 to 95%RH 96h	

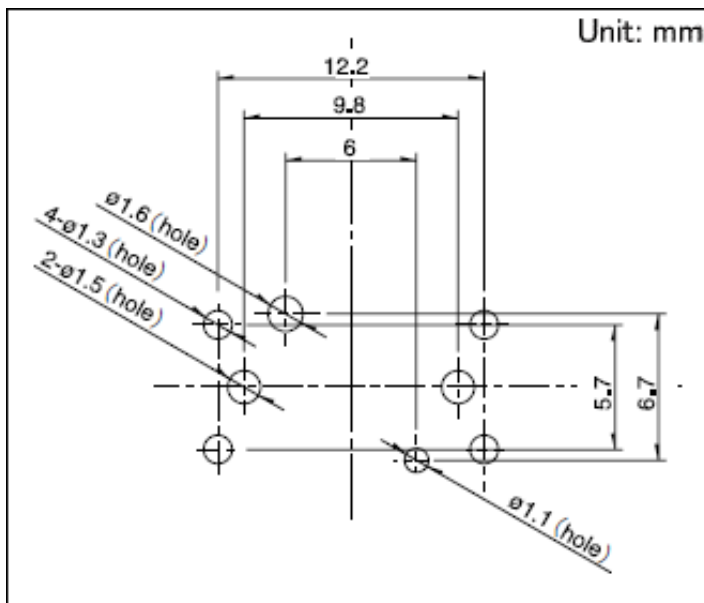
Minimum order unit (pcs.) Japan 1,050

Export 4,200

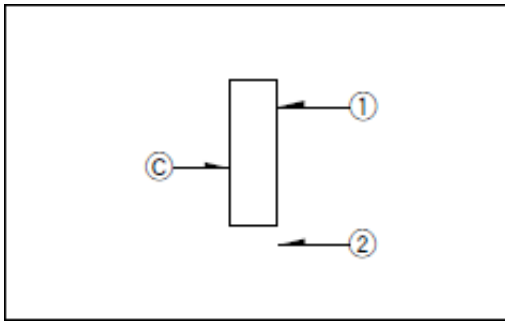
Dimensions



Mounting Hole Dimensions



Circuit Diagram



Viewed from direction A in the dimensions.

Packing Specifications

Bulk

Number of packages (pcs.)	1 case / Japan	1,050
	1 case / export packing	4,200
Export package measurements (mm)		540×360×230

Soldering Conditions

Reference for Dip Soldering

Items	Preheating temperature	-
	Preheating time	-
Dip soldering	Soldering temperature	260±5°C
	Duration of immersion	10±1s

Reference for Hand Soldering

Soldering temperature	350±10°C
Soldering time	3s max.

Notes are common to this series/models.

1. This site catalog shows only outline specifications. When using the products, please obtain formal specifications for supply.
2. Please place purchase orders per minimum order unit (integer).
3. This products can be used in vehicles.
Although these products are designed to perform over a wide operating temperature range, please ensure that you receive and read the formal delivery specifications before use.