

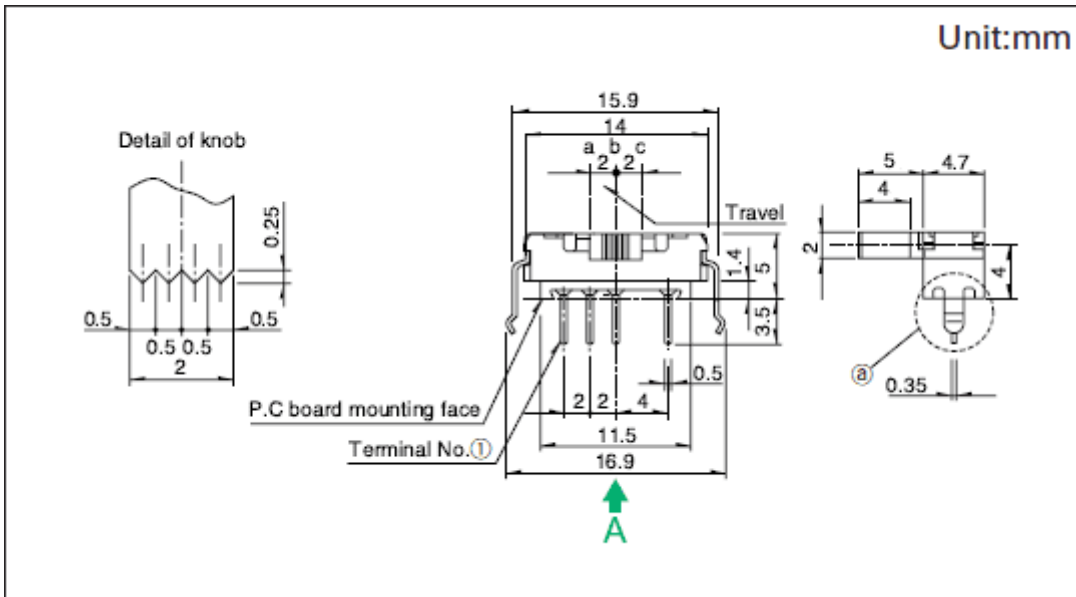


5.0(H)mm, 2.0mm-travel Type SSSS9 Series

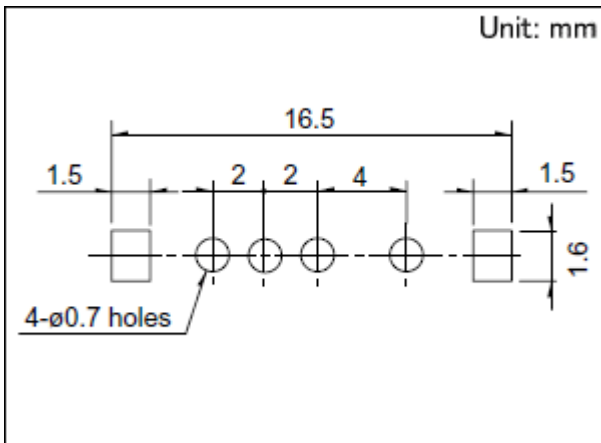
Travel	2mm		
Actuator directions	Horizontal		
Actuator length	4mm		
Poles	1		
Positions	3		
Operating force	a, c → b 2±1N b → a, c 3±1.5N		
Mounting method	Snap-in (t1.6)		
Changeover timing	Not specified		
Soldering	Manual, Dip		
Operating temperature range	-40°C to +85°C		
Rating (max.)/(min.) (Resistive load)	0.1A 12V DC/1mA 5V DC		
Electrical performance	Contact resistance (Initial performance/After lifetime)	30mΩ max./80mΩ max.	
	Insulation resistance	100MΩ min. 500V DC	
	Voltage proof	500V AC for 1 minute	
Mechanical performance	Terminal strength	3N for 1 minute	
	Actuator strength	Operating direction	30N
		Pulling direction	10N
Durability	Operating life without load	10,000 cycles 60mΩ max.	
	Operating life with load (at max. rated load)	10,000 cycles 80mΩ max.	
Environmental performance	Cold	-40°C 500h	
	Dry heat	85°C 500h	
	Damp heat	60°C, 90 to 95%RH 500h	

Minimum order unit (pcs.)	Japan	1,000
	Export	5,000

Dimensions

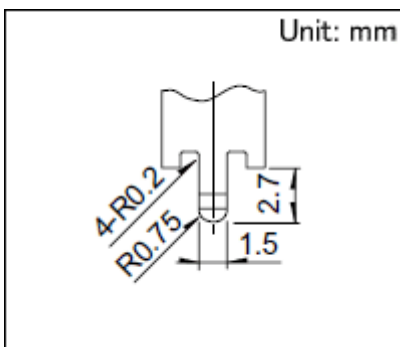


Mounting Hole Dimensions

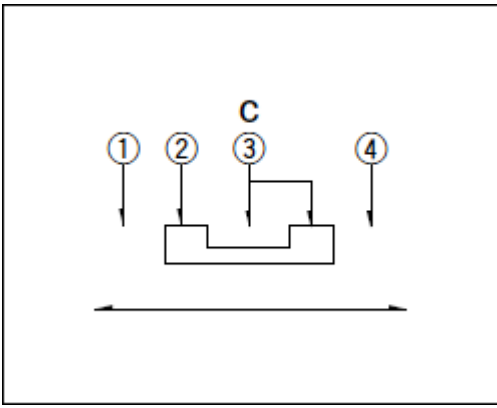


Viewed from direction A in the dimensions.

Shape of Frame Leg



Circuit Diagram



Packing Specifications

Bulk

Number of packages (pcs.)	1 case / Japan	1,000
	1 case / export packing	5,000
Export package measurements (mm)		400×270×290

Soldering Conditions

Reference for Dip Soldering

Items	Preheating temperature	120°C max.
	Preheating time	60s max.
Dip soldering	Soldering temperature	260±5°C
	Duration of immersion	5+0/-1s (2 times)

Reference for Hand Soldering

Soldering temperature	350±10°C
Soldering time	3s max.

Notes are common to this series/models.

1. This site catalog shows only outline specifications. When using the products, please obtain formal specifications for supply.
2. Please place purchase orders per minimum order unit (integer).
3. Products other than those listed in the above chart are also available. Please contact us for details.
4. Please contact us for automotive use products.