



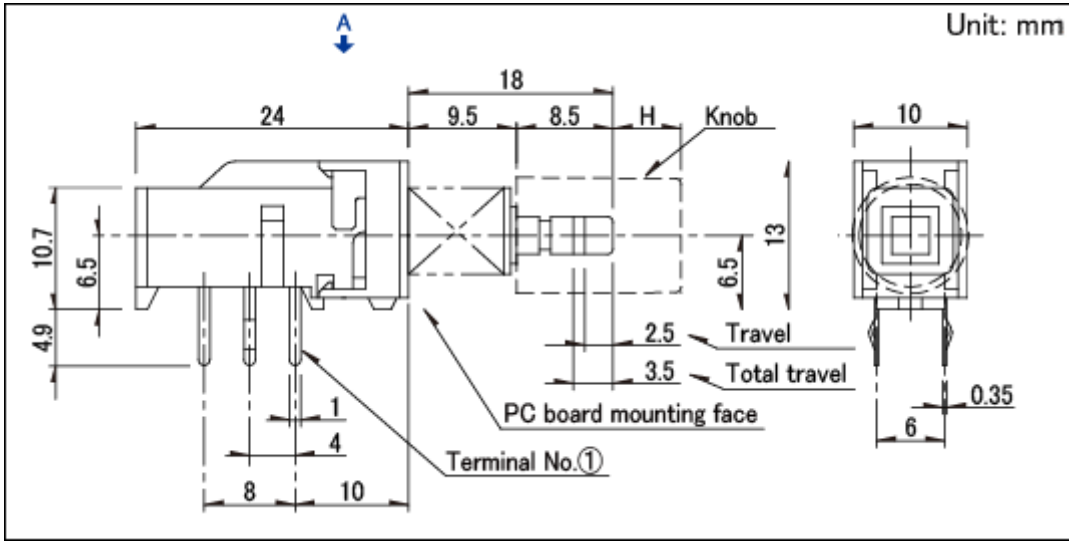
2.5mm-travel Large-sized Horizontal Type SPUN Series

Changeover timing	Non shorting		
Travel	2.5mm		
Total travel	3.5mm		
Rating	Standard		
Operating force	2±1N		
Mounting method	PC board		
Poles	2		
Operation	Momentary		
Terminal type	Snap-in		
Operating temperature range	-10°C to +60°C		
Rating (max.)/(min.) (Resistive load)	0.1A 30V DC/50µA 3V DC		
Electrical performance	Contact resistance (Initial performance/After lifetime)	20mΩ max./40mΩ max.	
	Insulation resistance	100MΩ min. 500V DC	
	Voltage proof	500V AC for 1 minute	
Mechanical performance	Terminal strength	5N for 1 minute	
	Actuator strength	Operating direction	50N
		Pulling direction	50N
Durability	Operating life without load	30,000 cycles 40mΩ max.	
	Operating life with load (at max. rated load)	10,000 cycles 40mΩ max.	
Environmental performance	Cold	-20°C 96h	
	Dry heat	85°C 96h	
	Damp heat	40°C, 90 to 95%RH 96h	

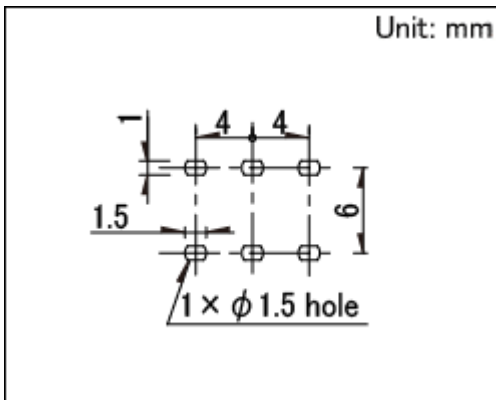
Minimum order unit (pcs.) Japan 250

Export 1,250

Dimensions

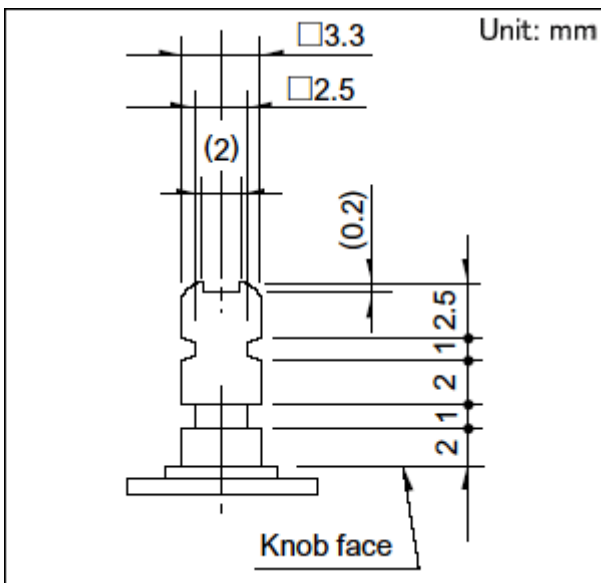


Mounting Hole Dimensions

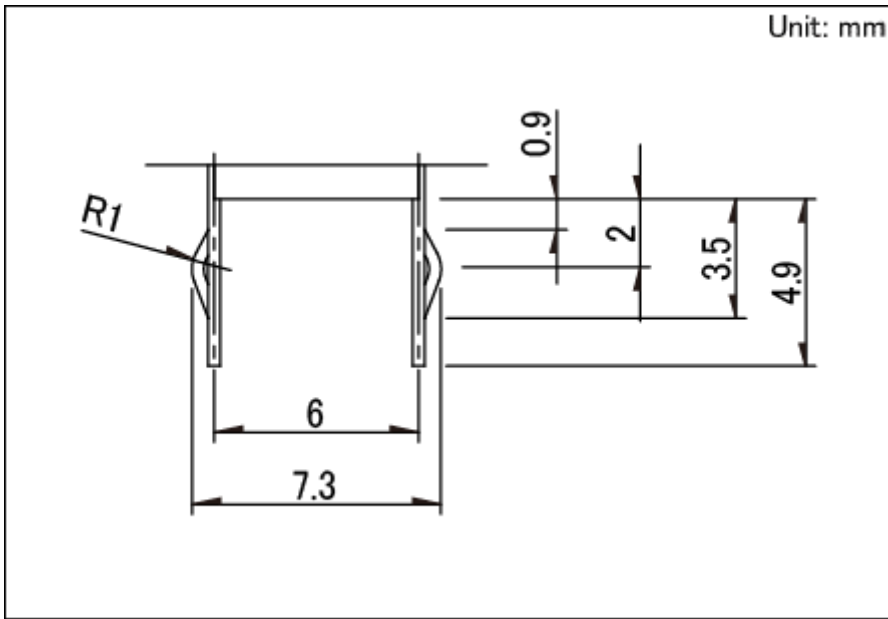


Viewed from direction A in the dimensions.

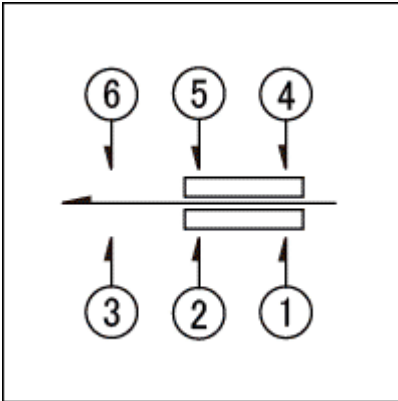
Actuator Configuration at Front Edge



Terminal Configuration



Circuit Diagram



Packing Specifications

Bulk

Number of packages (pcs.)	1 case / Japan	250
	1 case / export packing	1,250

Export package measurements (mm) 400×270×290

Soldering Conditions

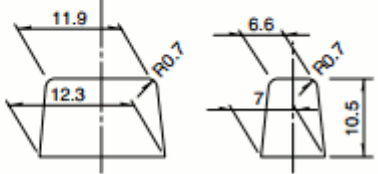
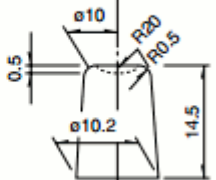
Reference for Dip Soldering

Items	Preheating temperature	100°C max.
	Preheating time	60s max.
Dip soldering	Soldering temperature	260±5°C
	Duration of immersion	10±1s

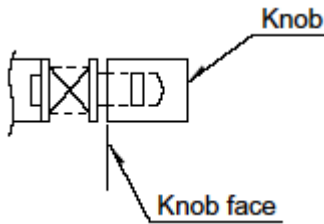
Reference for Hand Soldering

Soldering temperature	350±5°C
Soldering time	3+1/0s

Products Line of Knob

Knob outline drawing	Model	Knob attachment height (H)
<p>Square knob</p>  <p>Color:Black</p>	UE201011	(2)
<p>Round knob</p>  <p>Color:Black</p>	UE200011	(6)

We recommend the use of adhesive to secure the knob when mounting onto switches.



Notes are common to this series/models.

1. This site catalog shows only outline specifications. When using the products, please obtain formal specifications for supply.
2. Please place purchase orders per minimum order unit (integer).
3. Products other than those listed in the above chart are also available. Please contact us for details.