



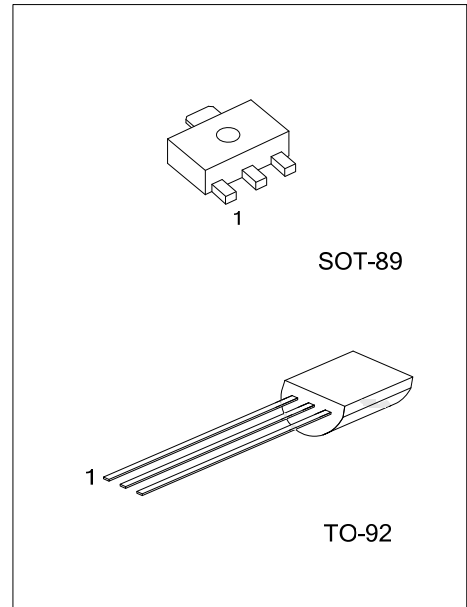
# 2SB1116/A

## PNP SILICON TRANSISTOR

### PNP EPITAXIAL SILICON TRANSISTOR

■ DESCRIPTION

Complement to UTC **2SD1616/A**



■ ORDERING INFORMATION

Ordering Number		Package	Pin Assignment			Packing
Lead Free	Halogen Free		1	2	3	
-	2SB1116G-x-AB3-B	SOT-89	B	C	E	Tape Reel
2SB1116L-x-T92-B	2SB1116G-x-T92-B	TO-92	E	C	B	Tape Box
2SB1116L-x-T92-K	2SB1116G-x-T92-K	TO-92	E	C	B	Bulk
-	2SB1116AG-x-AB3-B	SOT-89	B	C	E	Tape Reel
2SB1116AL-x-T92-B	2SB1116AG-x-T92-B	TO-92	E	C	B	Tape Box
2SB1116AL-x-T92-K	2SB1116AG-x-T92-K	TO-92	E	C	B	Bulk

Note: Pin Assignment: B: Base C: Collector E: Emitter

<p>2SB1116G-x-AB3-R</p> <p>(1) Packing Type (2) Package Type (3) Rank (4) Green Package</p>	<p>(1) R: Tape Reel, B: Tape Box, K: Bulk (2) AB3: SOT-89, T92: TO-92 (3) x: refer to Classification of <math>h_{FE1}</math> (4) L: Lead Free, G: Halogen Free and Lead Free</p>
---	--

■ MARKING

Package	2SB1116	2SB1116A
SOT-89	<p>2SB1116G → Data Code</p>	<p>2SB1116AG → Data Code</p>
TO-92	<p>UTC B 1116 □ → L: Lead Free □ → G: Halogen Free Rank ← □ □ □ → Data Code</p>	<p>UTC B 1116A □ → L: Lead Free □ → G: Halogen Free Rank ← □ □ □ → Data Code</p>

# 2SB1116/A

## PNP SILICON TRANSISTOR

### ■ ABSOLUTE MAXIMUM RATINGS ( $T_A=25^\circ\text{C}$ , unless otherwise specified)

PARAMETER		SYMBOL	RATINGS	UNIT
Collector to Base Voltage	2SB1116	$V_{CBO}$	-60	V
	2SB1116A		-80	
Collector to Emitter Voltage	2SB1116	$V_{CEO}$	-50	V
	2SB1116A		-60	
Emitter to Base Voltage		$V_{EBO}$	-6	V
Collector Current	DC	$I_C$	-1	A
	Pulse(Note2)	$I_{CM}$	-2	A
Total Power Dissipation	SOT-89	$P_C$	500	mW
	TO-92		750	mW
Junction Temperature		$T_J$	+150	$^\circ\text{C}$
Operating Temperature		$T_{OPR}$	-20 ~ +85	$^\circ\text{C}$
Storage Temperature		$T_{STG}$	-55 ~ +150	$^\circ\text{C}$

Notes: 1. Absolute maximum ratings are those values beyond which the device could be permanently damaged.

Absolute maximum ratings are stress ratings only and functional device operation is not implied.

2. Pulse width  $\leq 10\text{ms}$ , Duty cycle  $\leq 50\%$

### ■ ELECTRICAL CHARACTERISTICS ( $T_A=25^\circ\text{C}$ , unless otherwise specified)

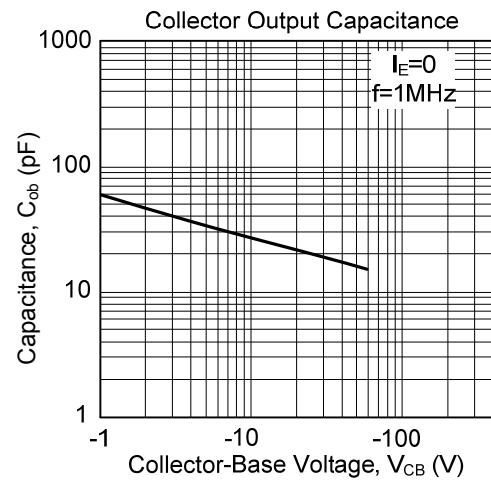
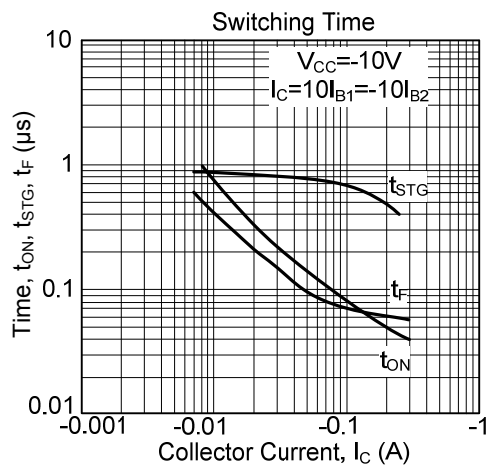
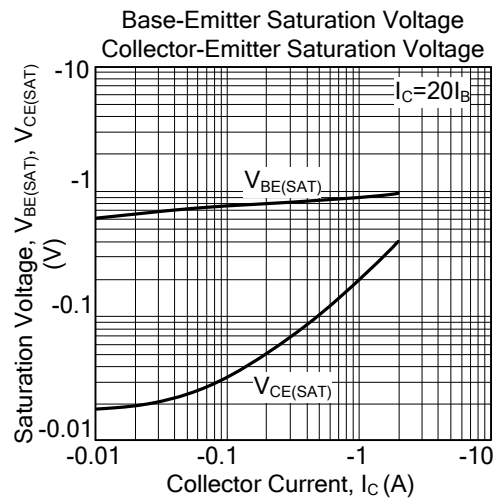
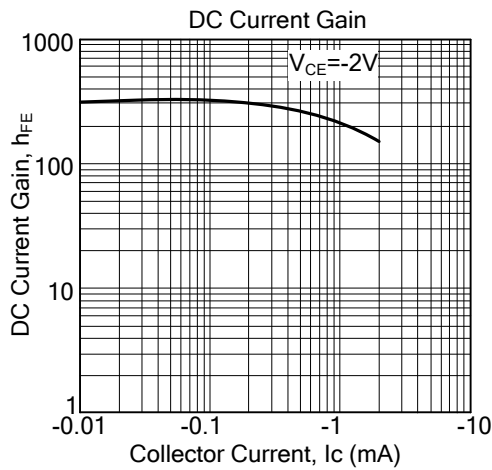
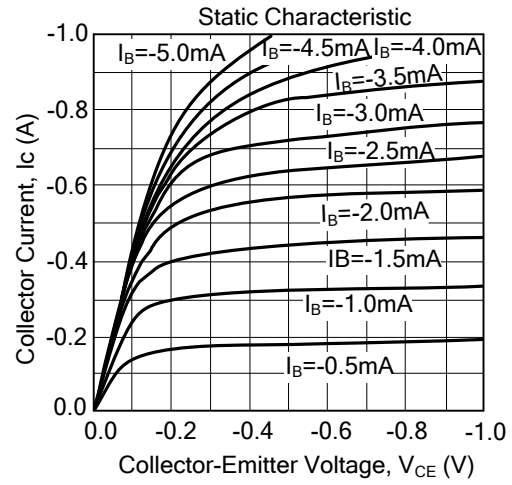
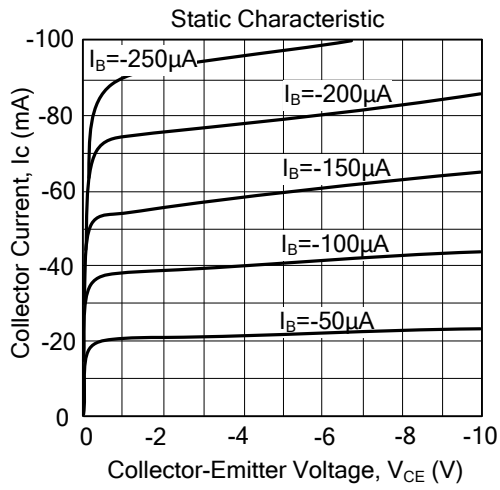
PARAMETER	SYMBOL	TEST CONDITIONS	MIN	TYP	MAX	UNIT
Collector-Emitter Saturation Voltage(Note)	$V_{CE(SAT)}$	$I_C=-1\text{A}, I_B=-50\text{mA}$		-0.2	-0.3	V
Base-Emitter Saturation Voltage(Note)	$V_{BE(SAT)}$	$I_C=-1\text{A}, I_B=-50\text{mA}$		-0.9	-1.2	V
Base Emitter On Voltage(Note)	$V_{BE(ON)}$	$V_{CE}=-2\text{V}, I_C=-50\text{mA}$	-600	-650	-700	mV
Collector Cut-Off Current	$I_{CBO}$	$V_{CB}=-60\text{V}, I_E=0$			-100	nA
Emitter Cut-Off Current	$I_{EBO}$	$V_{EB}=-6\text{V}, I_C=0$			-100	nA
DC Current Gain(Note)	$h_{FE1}$	$V_{CE}=-2\text{V}, I_C=-100\text{mA}$	2SB1116	135	600	
			2SB1116A	135	400	
	$h_{FE2}$	$V_{CE}=-2\text{V}, I_C=-1\text{A}$	81			
Transition Frequency	$f_T$	$V_{CE}=-2\text{V}, I_C=-100\text{mA}$	70	120		MHz
Output Capacitance	$C_{OB}$	$V_{CB}=-10\text{V}, I_E=0, f=1\text{MHz}$		25		pF
Turn On Time	$t_{ON}$	$V_{CC}=-10\text{V}, I_C=-100\text{mA}, I_{B1}=-I_{B2}=-10\text{mA}, V_{BE(OFF)}=2 \sim 3\text{V}$		0.07		$\mu\text{s}$
Storage Time	$t_{STG}$			0.7		$\mu\text{s}$
Fall Time	$t_F$			0.07		$\mu\text{s}$

Note: Pulse Test: Pulse width  $\leq 350\mu\text{s}$ , Duty cycle  $\leq 2\%$ .

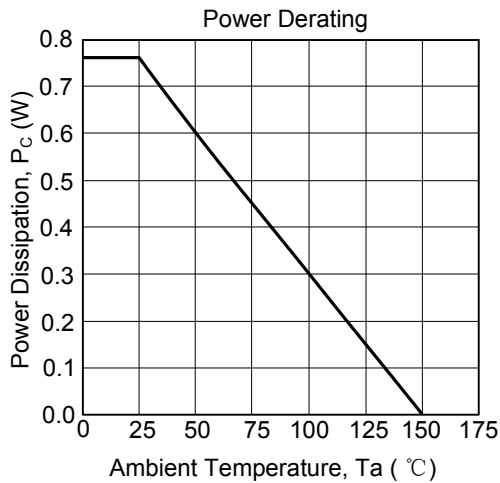
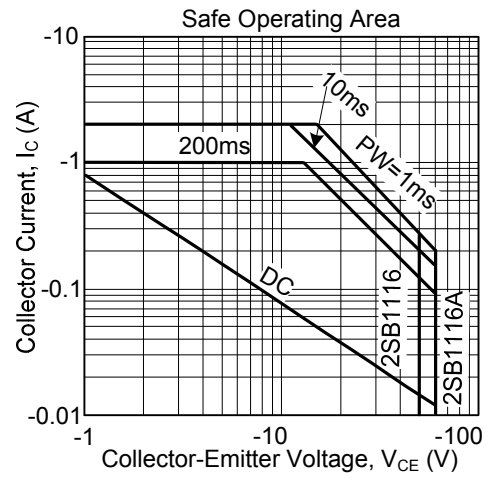
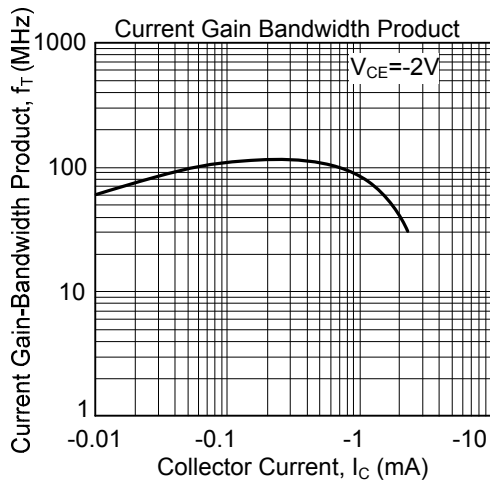
### ■ CLASSIFICATION OF $h_{FE1}$

RANK	Y	G	L
$h_{FE1}$	135 ~ 270	200 ~ 400	300 ~ 600

### TYPICAL CHARACTERISTICS



■ TYPICAL CHARACTERISTICS(Cont.)



UTC assumes no responsibility for equipment failures that result from using products at values that exceed, even momentarily, rated values (such as maximum ratings, operating condition ranges, or other parameters) listed in products specifications of any and all UTC products described or contained herein. UTC products are not designed for use in life support appliances, devices or systems where malfunction of these products can be reasonably expected to result in personal injury. Reproduction in whole or in part is prohibited without the prior written consent of the copyright owner. The information presented in this document does not form part of any quotation or contract, is believed to be accurate and reliable and may be changed without notice.