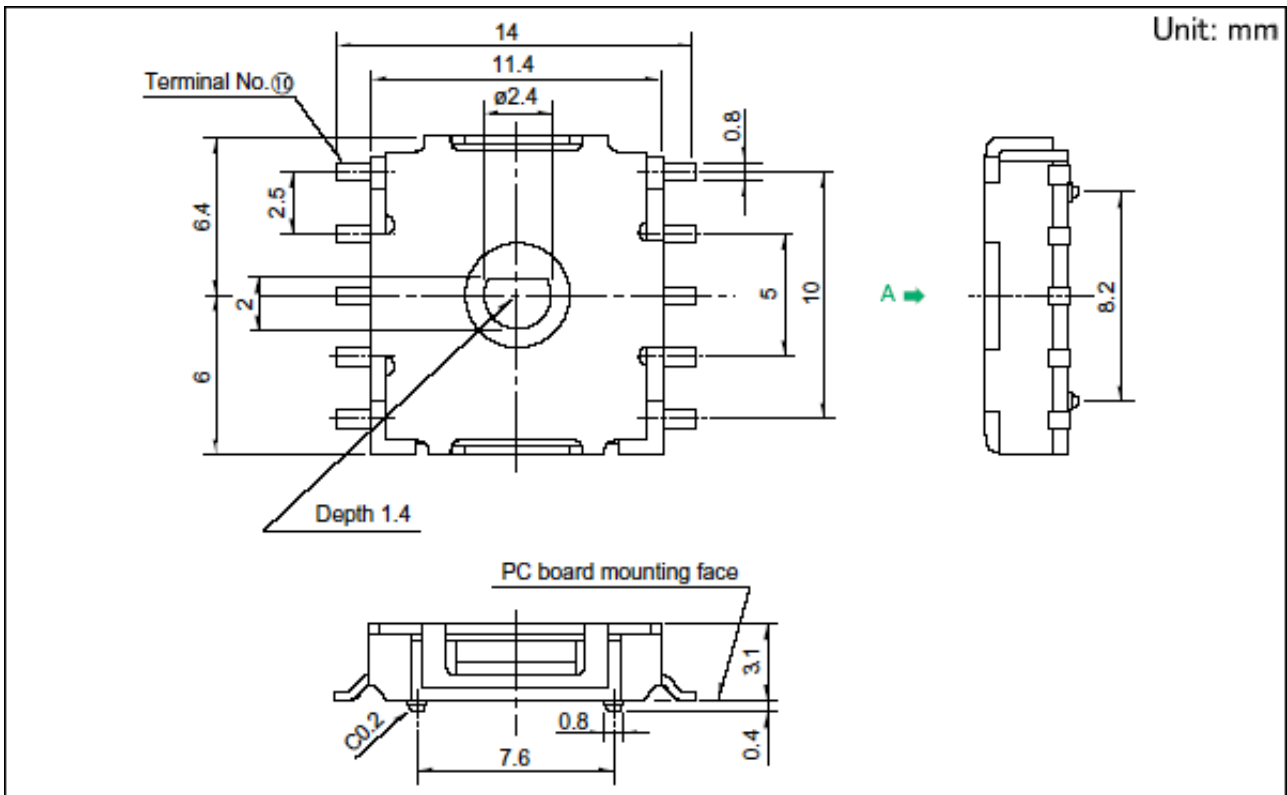




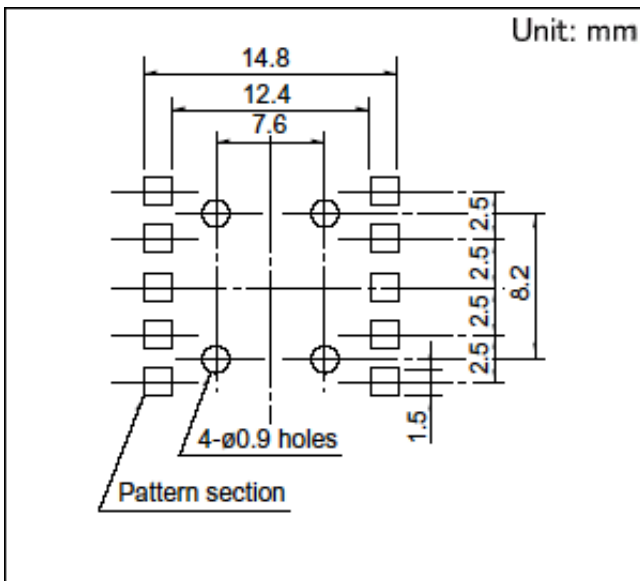
9-positions Low-profile Vertical Type SRBQ Series

Poles		1
Positions		9
Changeover angle		40±3°
Changeover timing		Non shorting
Rotational torque		6±3mN·m
Actuator configuration		Non shaft
Soldering		Reflow
Operating temperature range		-10°C to +60°C
Rating (max.)/(min.) (Resistive load)		0.1A 16V DC/50μA 3V DC
Electrical performance	Contact resistance (Initial performance/After lifetime)	50mΩ max./100mΩ max.
	Insulation resistance	100MΩ min. 100V DC
	Voltage proof	100V AC for 1 minute
Mechanical performance	Terminal strength	5N for 1 minute
	Actuator strength Push direction	20N
Durability	Operating life without load	10,000 cycles 100mΩ max.
	Operating life with load (at max. rated load)	10,000 cycles 100mΩ max.
Environmental performance	Cold	-20±2°C for 96h
	Dry heat	85±2°C for 96h
	Damp heat	40±2°C, 90 to 95%RH for 96h
Minimum order unit (pcs.)	Japan	1,200
	Export	4,800

Dimensions

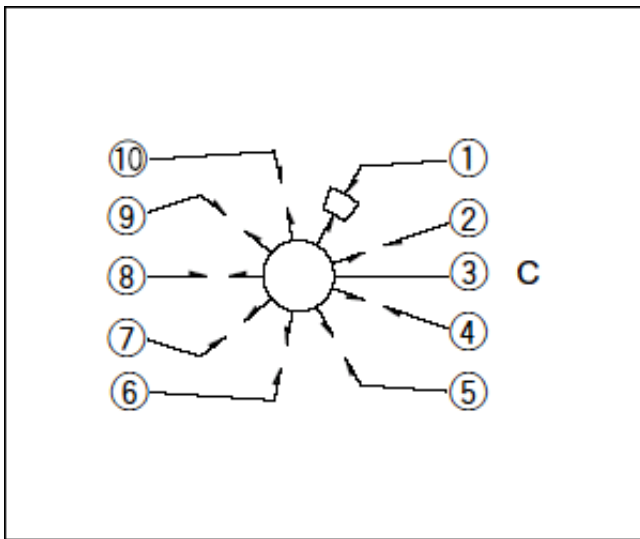


Mounting Hole Dimensions



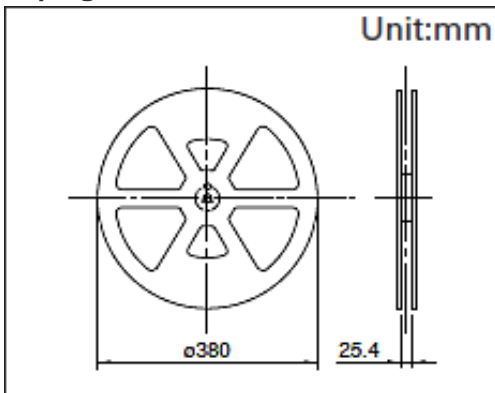
Viewed from direction A in the dimensions.

Circuit Diagram



Packing Specifications

Taping



Number of packages (pcs.)	1 reel	1,200
	1 case / Japan	2,400
	1 case / export packing	4,800
Tape width (mm)	24	
Export package measurements (mm)	406×406×190	

Soldering Conditions

Example of Reflow Soldering Condition

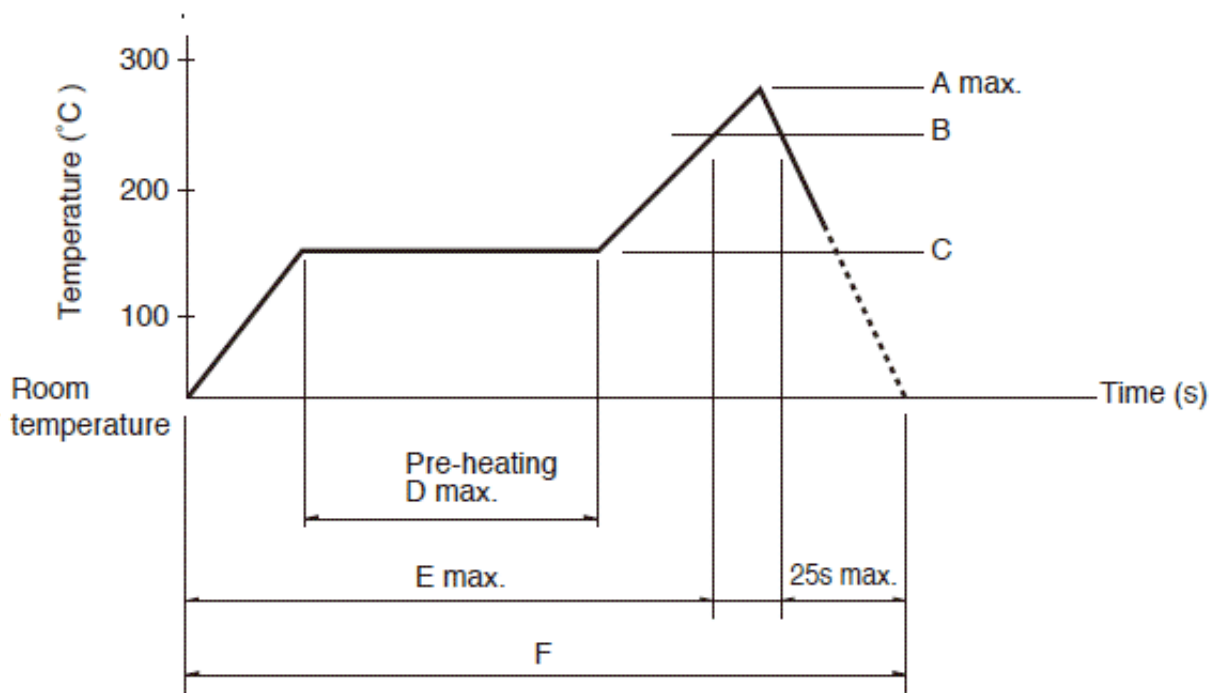
1. Heating method

Double heating method with infrared heater.

2. Temperature measurement

Thermocouple 0.1 to 0.2 Φ CA (K) or CC (T) at soldering portion (copper foil surface). A heat resisting tape should be used for fixed measurement.

3. Temperature profile



A(°C)	B(°C)	C(°C)	D(s)	E(s)	F(s)
3s max.					
250	200	150±5	80 to 100	-	-

(1) The condition mentioned above is the temperature on the mounting surface of a PC board. There are cases where the PC board's temperature greatly differs from that of the switch, depending on the PC board's material, size, thickness, etc. The above-stated conditions shall also apply to switch surface temperatures.

(2) Soldering conditions differ depending on reflow soldering machines. Prior verification of soldering condition is highly recommended.

Reference for Hand Soldering

Soldering temperature	350±10°C
Soldering time	3s max.

Notes are common to this series/models.

1. This site catalog shows only outline specifications. When using the products, please obtain formal specifications for supply.
2. Please place purchase orders per minimum order unit (integer).
3. Products other than those listed in the above chart are also available. Please contact us for details.