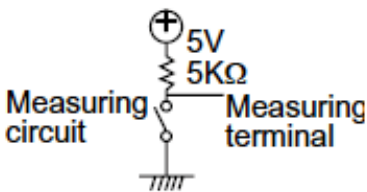


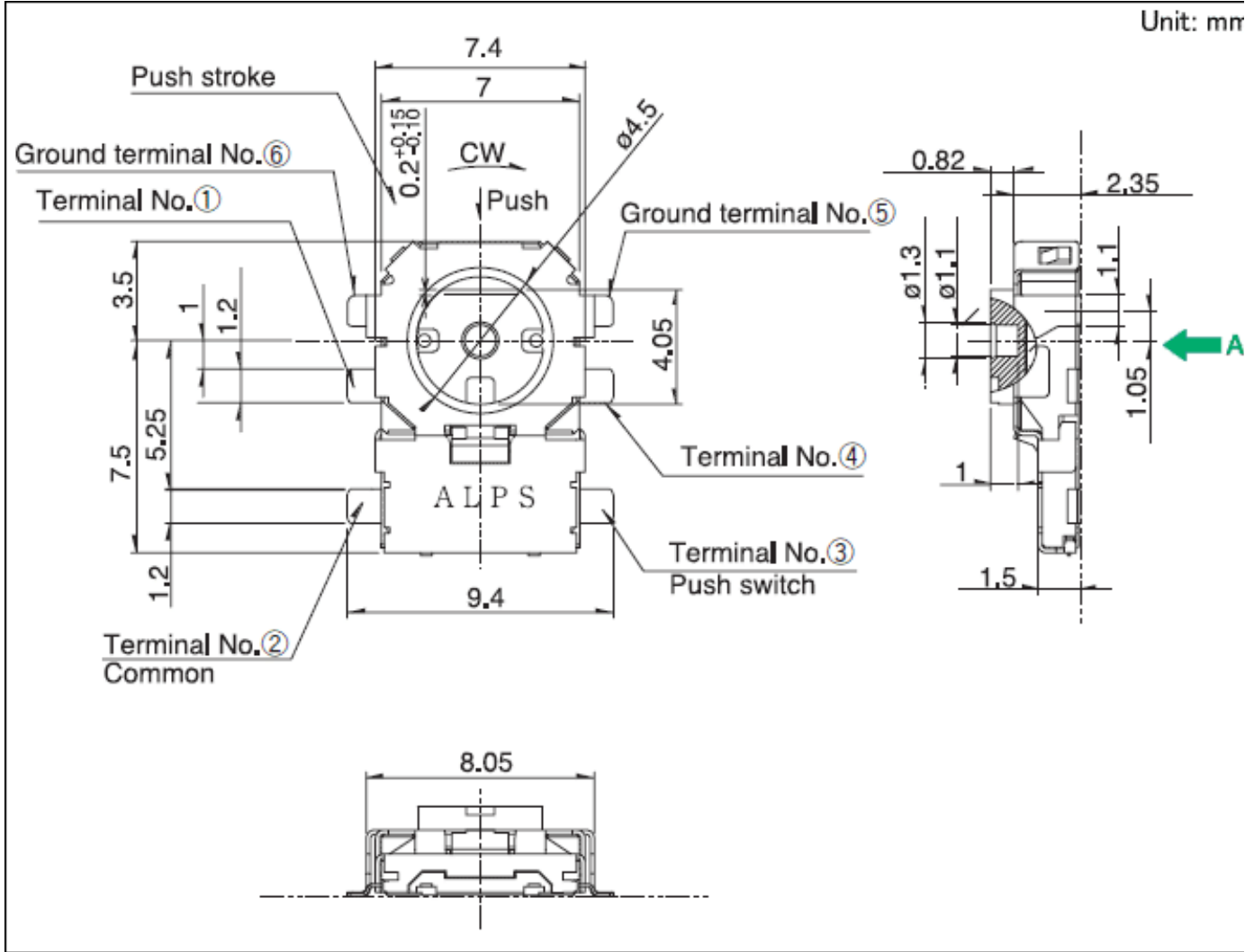
## Encoder and Push Operation Type SRBE Series

Number of operating shafts		Single-shaft	
Shaft material		Resin	
Number of detent		12	
Number of pulse		6	
Operating direction		Horizontal	
Mounting method		Standard	
Travel (Push operation)		0.2mm	
Operating temperature range		-10°C to +60°C	
Ratings (max.)/(min.) (Resistive load)		1mA 5V DC/50μA 3V DC	
Electrical performance	Output voltage	1V max. at 1mA 5V DC (Resistive load)	
			
Insulation resistance		10MΩ min. 50V DC	
Voltage proof		50V AC for 1 minute	
Mechanical performance	Push operating force	3.5±1.5N	
	Encoders detent torque	3±2mN·m	
	Actuator strength	Push/pull directions	50N
Durability	Operating life	Center push	100,000 cycles
		Encoder	100,000 cycles
Environmental performance	Cold	-30±2°C for 96h	
	Dry heat	85±2°C for 96h	
	Damp heat	40±2°C, 90 to 95%RH for 96h	

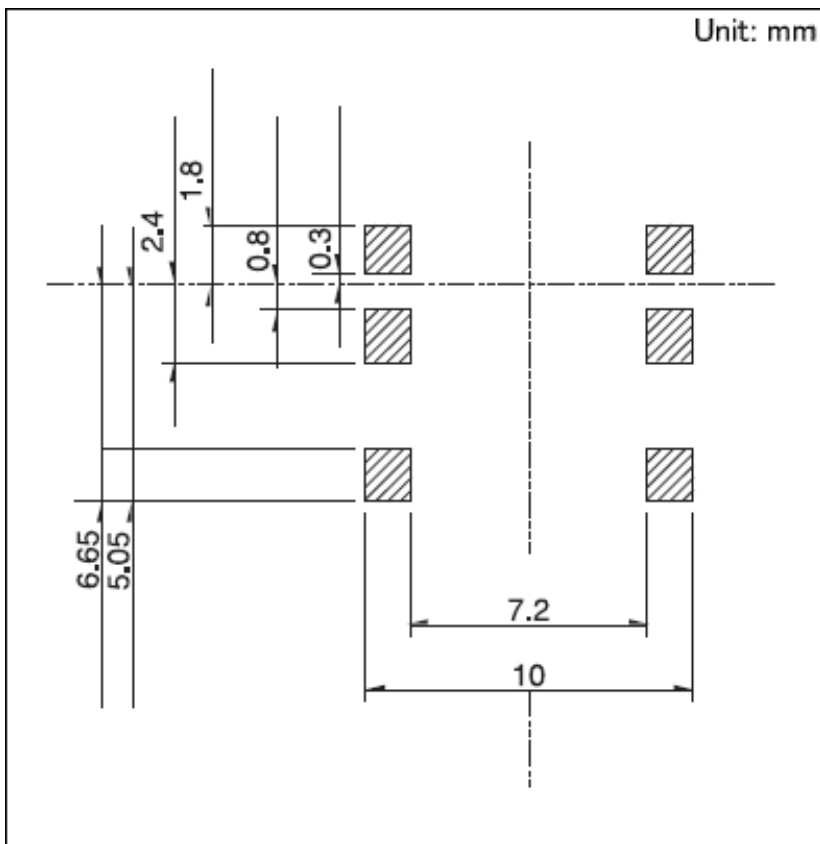
Minimum order unit (pcs.)	Japan	1,500
	Export	6,000

Dimensions

Unit: mm

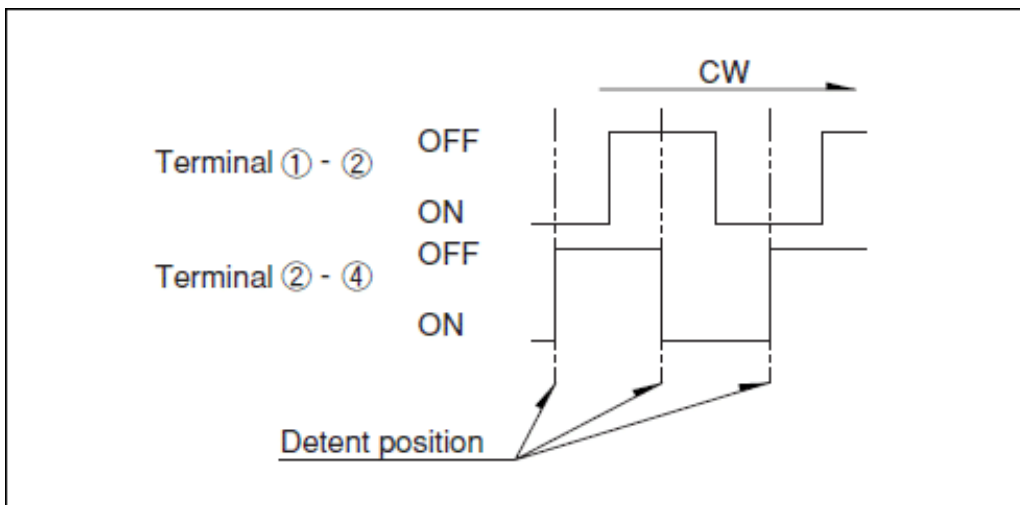


Land Dimensions

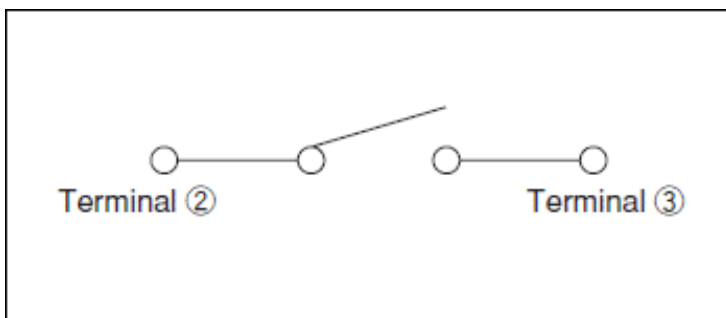


Viewed from direction A in the dimensions.

### Output Signal

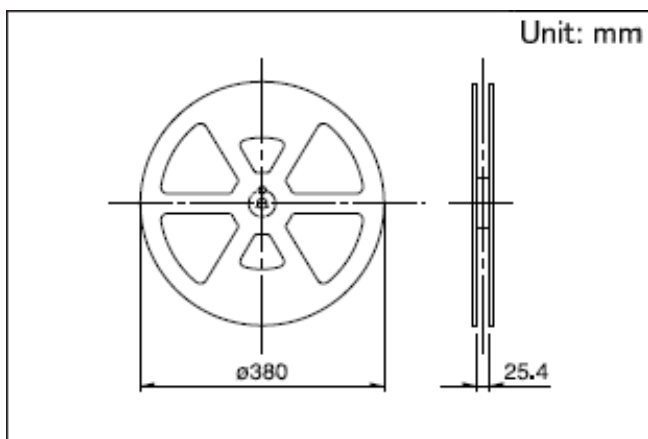


### Circuit Diagram



### Packing Specifications

#### Taping



Number of packages (pcs.)	1 reel	1,500
	1 case / Japan	3,000
	1 case / export packing	6,000
Tape width (mm)		24
Export package measurements (mm)		428×413×172

### Soldering Condition

#### Example of Reflow Soldering Condition

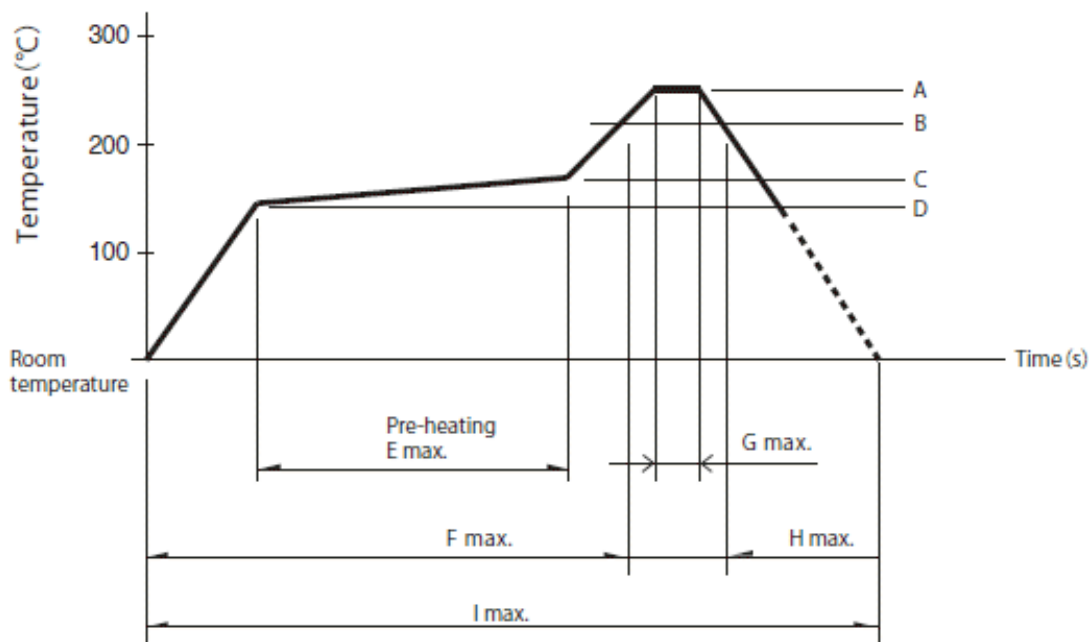
1. Heating method:

Double heating method with infrared heater.

2. Temperature measurement:

Thermocouple 0.1 to 0.2  $\Phi$  CA (K) or CC (T) at solder joints (copper foil surface). A heat resisting tape should be used to fix thermocouple.

3. Temperature profile



A	B	C	D	E	F	G	H	I	No. of reflows
---	---	---	---	---	---	---	---	---	----------------

---

260°C    230°C    180°C    150°C    2 min.    -   -   40s    -   1 time

---

(1) The condition mentioned above is the temperature on the mounting surface of a PC board. There are cases where the PC board's temperature greatly differs from that of the switch, depending on the PC board's material, size, thickness, etc. The above-stated conditions shall also apply to switch surface temperatures.

(2) Soldering conditions differ depending on reflow soldering machines. Prior verification of soldering condition is highly recommended.

#### Reference for Hand Soldering

---

Tip temperature	350±5°C
Soldering time	3s max.
No. of solders	1 time

---

Notes are common to this series/models.

1. This site catalog shows only outline specifications. When using the products, please obtain formal specifications for supply.
2. Please place purchase orders for taping products per minimum order unit (1 reel or a case).