



10/100/1000Base-T DUAL Port Transformer Module

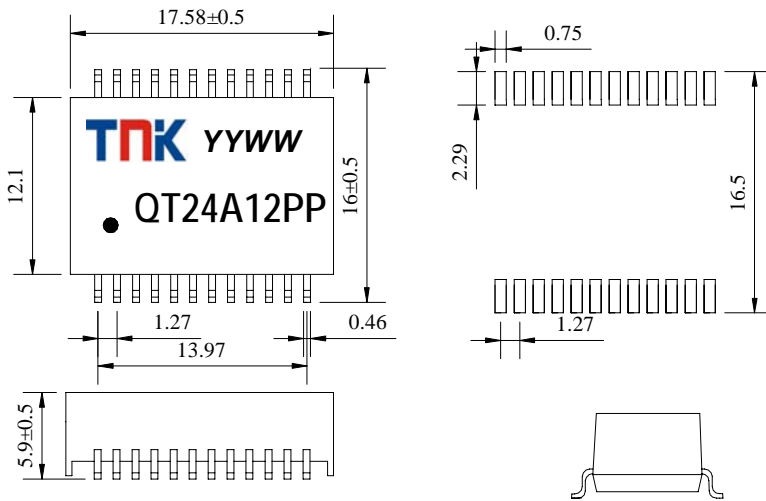


- ✚ Designed to meet IEEE802.3at requirement
- ✚ Designed to meet IR 255°C peak requirement
- ✚ Primary inductance 350uH min with 8mA DC Bias
- ✚ ROHS Compliant
- ✚ Operating temperature range:0°C to +70°C
- ✚ Storage temperature range:-25°C to +125°C
- ✚ The part is POE enable with 720mA DC current

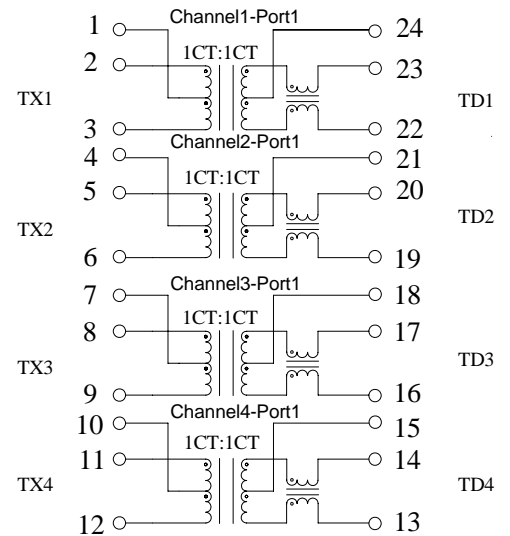
Electrical Specifications @ 25°C

Part Number	Turn Ratio		Insertion Loss (dB Max)	Return Loss (dB Min)					Cross Talk (dB Min)			DCMR (dB Min)			Hi-Pot (Vrms)
	Tx	Rx		1~100Mz	1-30 MHz	40 MHz	50 MHz	60-80 MHz	100 MHz	30 MHz	60 MHz	100 MHz	30 MHz	60 MHz	
QT24A12PP	1CT:1CT	1CT:1CT	-1.0	-18	-14.4	-13.1	-12	-10	-45	-40	-35	-43	-37	-33	1500

Mechanical



Schematics



Dimension:mm

Unless otherwise specified,tolerances:±0.25(mm)

Data sheet subject to change without notice