

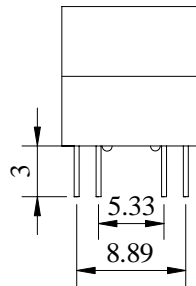
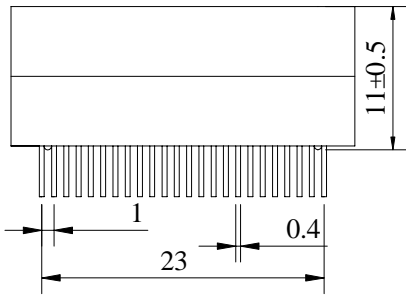
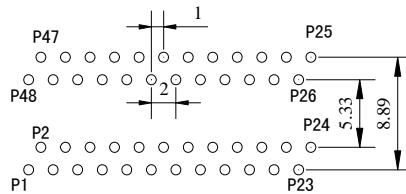
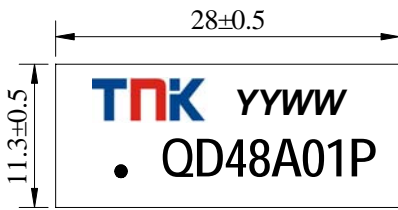


- ✚ Designed to meet IEEE802.3af requirement
- ✚ Primary inductance 350uH min with 8mA DC Bias
- ✚ RoHS Compliant.
- ✚ Operating temperature range:0°C to +70°C
- ✚ Storage temperature range:-25°C to +125°C
- ✚ The part is POE enable with 350mA DC current

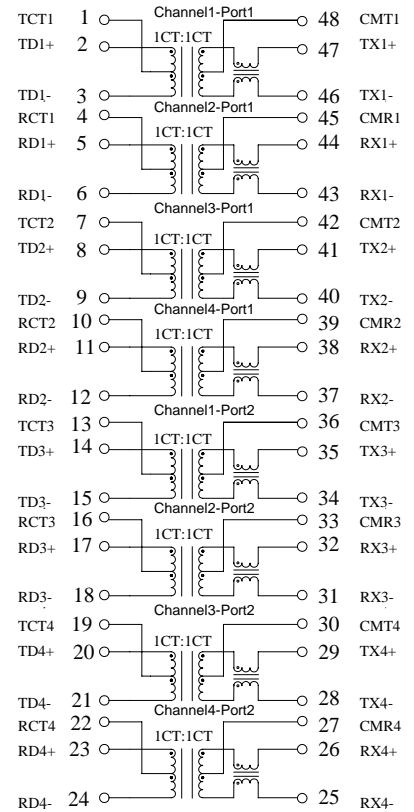
Electrical Specifications @ 25°C

Part Number	Turn Ratio		Insertion Loss 1~100Mz (dB Max)	Return Loss (dB Min)					Cross Talk (dB Min)			DCMR (dB Min)			Hi-Pot (Vrms)
	Tx	Rx		1-30 MHz	40 MHz	50 MHz	60-80 MHz	100 MHz	30 MHz	60 MHz	100 MHz	30 MHz	60 MHz	100 MHz	
QD48A01P	1:1	1:1	-1.1	-18	-14.4	-13.1	-12	-10	-45	-40	-35	-40	-37	-33	1500

Mechanical



Schematic



NOTE:

- 1、Dimensions:mm;
- 2、 Unless otherwise specified,tolerances:±0.25(mm);