

# PRELIMINARY SPECIFICATIONS



Customer Part No.: \_\_\_\_\_ HELE. Part No: **X1H022118FK1H-V**  
Application For: \_\_\_\_\_ Products: **CRYSTAL**  
Accepted Model: \_\_\_\_\_ Type & Freq.: **HSX531S / 22.1184MHz**  
Sample Order No: \_\_\_\_\_ Date: **2012/06/05**

Approved By :

加高電子股份有限公司  
加高電子股份有限公司

**HARMONY ELECTRONICS CORP.**

**HARMONY ELECTRONICS (THAILAND) CO., LTD.**

**HARMONY ELECTRONICS (SHENZHEN) CORP., LTD.**

**TAIPEI OFFICE:**

公司:(114)  
台北市內湖區堤頂大道 2 段 409 號 2 樓  
2F., NO.409, SEC.2, TIDING BLVD.,  
NEIHU DISTRICT, TAIPEI CITY 114,  
TAIWAN (R.O.C.)  
TEL:886-2-26588883  
FAX:886-2-26588683

**TAIWAN FACTORY:**

工廠:(831)  
高雄市大寮區大發工業區華東路 39 號  
No.39, Huadong Rd., Daliao Dist.,Dafa  
Industrial Park., Kaohsiung City 831,  
Taiwan (R.O.C.)  
TEL: 886-7-787-1555~6  
FAX: 886-7-787-1557

**THAILAND FACTORY:**

66MOO 5, KAONGU-BEOKPRAI RD.,  
T.BEOKPRAI, A. BANPONG,  
RAJCHABUREE PROVINCE 70110,  
THAILAND  
TEL: (032)221994-6, 200740-1  
FAX: (032)200742

**SHENZHEN FACTORY:**

深圳市福永鎮塘尾村塘橋路聚源工業區  
QIAO TANG RD., TANGWEI VILLAGE  
FU YONG TOWN SHENZHEN CITY  
CHINA  
TEL: 0755-7309272 / 7309262  
FAX: 0755-7309755

Title <b>HSX531S</b>				Country of origin <b>TAIWAN FACTORY</b>		
QUARTZ CRYSTAL SPECIFICATION				<b>THAILAND FACTORY</b>		
				<b>SHENZHEN FACTORY</b>		
Date	Confirm	Check	Prepare	Spec. No.	Rev.	Page
<b>2012/06/05</b>	F. S. TSAI	C. L. WANG	U. F. CHEN	<b>X1H022118FK1H-V</b>	0	1

**HARMONY ELECTRONICS CORP.**

# HSX531S SPECIFICATION

## INDEX

ITEM	PAGE
1. QUARTZ CRYSTAL UNIT SPECIFICATION . . . . .	3
2. MARKING & DIMENSIONS . . . . .	4
3. INSIDE STRUCTURE . . . . .	5
4. EMBOSS CARRIER TAPE&REEL . . . . .	6
a. DIMENSIONS OF CARRIER TAPE . . . . .	6
b. DIMENSIONS OF REEL . . . . .	6
c. STORAGE CONDITION . . . . .	7
d. STANDARD PACKING QUANTITY . . . . .	7
e. MATERIAL OF TAPE . . . . .	7
f. LABEL CONTENTS . . . . .	7
g. TAPING DIMENSION . . . . .	8
h. JOINT OF TAPE . . . . .	8
i. RELEASE STRENGHT OF COVER TAPE . . . . .	8
j. PACKAGE . . . . .	9
5. MECHANICAL PERFORMANCE . . . . .	10
6. ENVIRONMENTAL PERFORMANCE . . . . .	10
7. SUPPLEMENT . . . . .	11-12
8. FLOW CHART . . . . .	13
9. Environmental Workload Chemical Substance Components List .	14

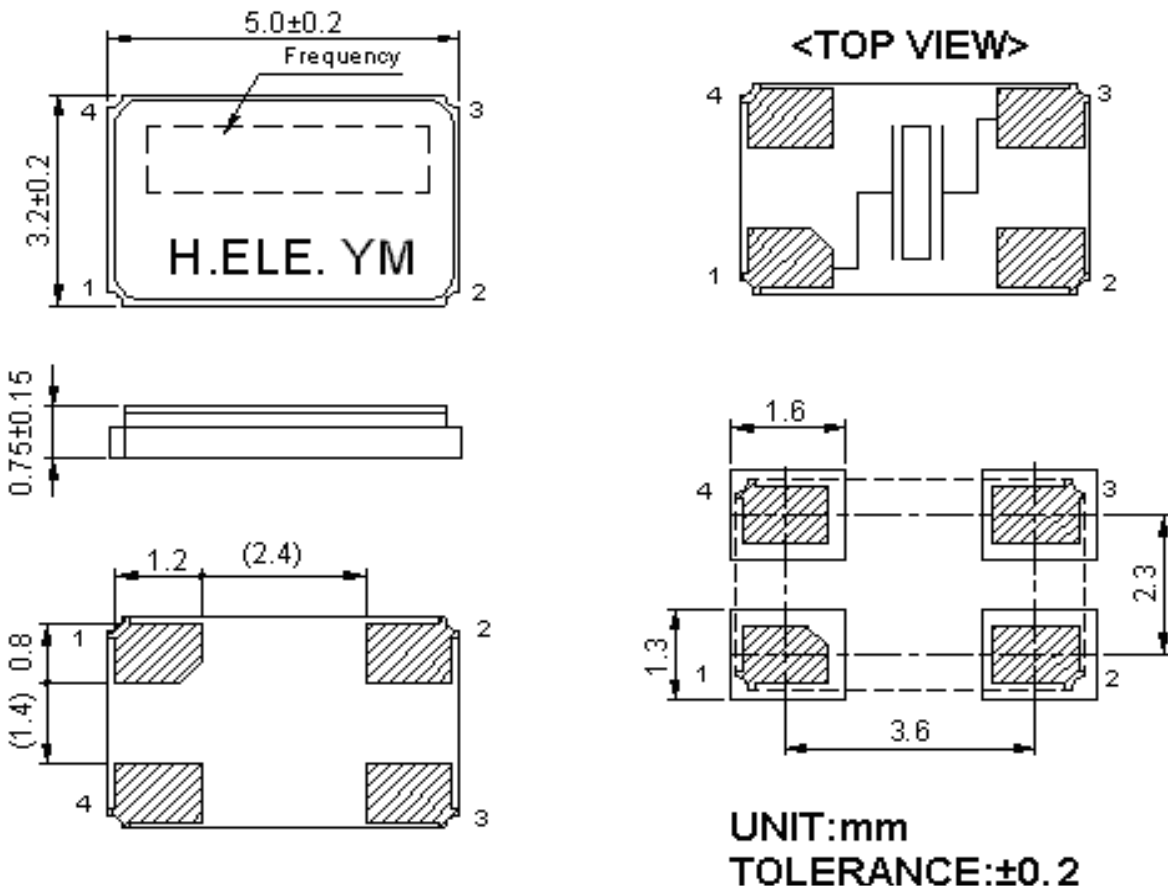
Title HSX531S				Country of origin <b>TAIWAN FACTORY</b> <b>THAILAND FACTORY</b> <b>SHENZHEN FACTORY</b>		
QUARTZ CRYSTAL SPECIFICATION						
Date	Confirm	Check	Prepare	Spec. No.	Rev.	Page
<b>2012/06/05</b>	F. S. TSAI	C. L. WANG	U. F. CHEN	<b>X1H022118FK1H-V</b>	0	2

# 1. QUARTZ CRYSTAL UNIT SPECIFICATION

- |                                |   |
|--------------------------------|---|
| 1. Frequency:                  | 22.118400MHz  |
| 2. Holder type :               | <b>HSX531S</b>  |
| 3. Frequency tolerance:        | +/-30ppm at 25deg.C +/-3deg.C   |
| 4. Equivalent resistance:      | 50 ohms Max. / SERIES   |
| 5. Storage temperature range:  | -40deg.C To +85deg.C  |
| 6. Operable temperature range: | -40deg.C To +85deg.C  |
| 7. Temperature drift:          | +/-30 ppm      -40deg.C To +85deg.C   |
| 8. Loading capacitance (CL) :  | 20.0 pF   |
| 9. Drive level:                | 10uW    (300uW Max)   |
| 10. Shunt Capacitance:         | 7.0 pF Max  |
| 11. Insulation resistance :    | More than 500M ohms at DC 100V  |
| 12. Mode of oscillation:       | Fundamental   |
| 13. Circuit:                   | Measured in HP/E5100A,S&A 250B  |
| 14. Shocking :                 | Dropping from 50 cm height 3 times on firm wood                             |
| Variation :                    | Frequency less than +/-5 ppm<br>Resistance less than +/- 15 % or 2ohms max. |
| 15. Aging:                     | Less than +/- 5 ppm/Year  |
| 16. Holder                     | HSX531S Seam type   |
| 17. Dimensions and marking     | Refer to page.4   |
| 18 Emboss carrier tape & reel  | Refer to page.6 and page.7  |
| 19. Note:                      |   |

Title HSX531S				Country of origin <b>TAIWAN FACTORY</b> <b>THAILAND FACTORY</b> <b>SHENZHEN FACTORY</b>		
QUARTZ CRYSTAL SPECIFICATION						
Date	Confirm	Check	Prepare	Spec. No.	Rev.	Page
<b>2012/06/05</b>	F. S. TSAI	C. L. WANG	U. F. CHEN	<b>X1H022118FK1H-V</b>	0	3

## 2. HSX531S MARKING & DIMENSIONS



Chamfer index mark depends on the ceramic base supplier.

\*Marking should be printed as following:

Nominal Frequency, Logo, Manufactured year & month

\*Nominal frequency = 3 number after decimal point MAX.

( ex. 12.000 MHz → 12.000 )

\*Manufacturing Lot No.

(Year) ex. 2000 shall be marked as ' 0 ' (As shown on the Table-1)

(Month) ex. June shall be marked as ' F ' (As shown on the Table-2)

Marking : Laser marking

(Table-1)

Year	2000	2001	2002	2003	2004	2005	2006	2007	2008	2009
	2010	2011	2012	2013	2014	2015	2016	2017	2018	2019
Code	0	1	2	3	4	5	6	7	8	9

(Table-2)

Jan.	Feb.	Mar.	Apr.	May.	Jun.	Jul.	Aug.	Sep.	Oct.	Nov.	Dec.
A	B	C	D	E	F	G	H	J	K	L	M

Title HSX531S

Country of origin

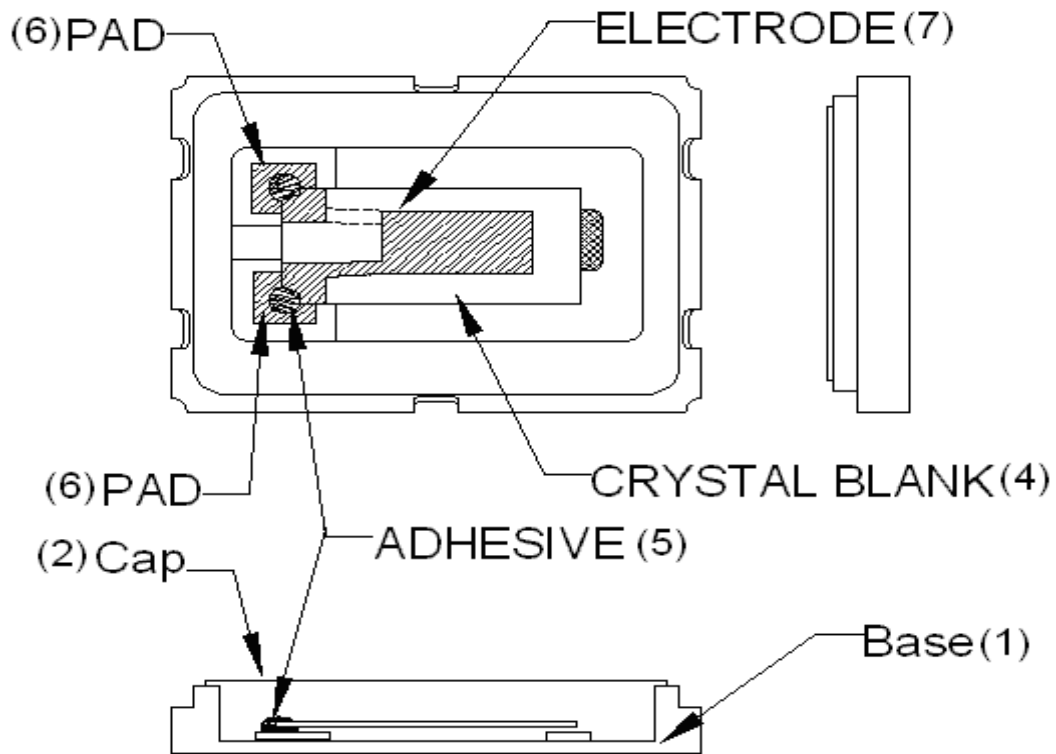
**TAIWAN FACTORY**  
**THAILAND FACTORY**  
**SHENZHEN FACTORY**

QUARTZ CRYSTAL SPECIFICATION

Date	Confirm	Check	Prepare	Spec. No.	Rev.	Page
<b>2012/06/05</b>	F. S. TSAI	C. L. WANG	U. F. CHEN	<b>X1H022118FK1H-V</b>	0	4

**HARMONY ELECTRONICS CORP.**

### 3. INSIDE STRUCTURE



※Reference drawing

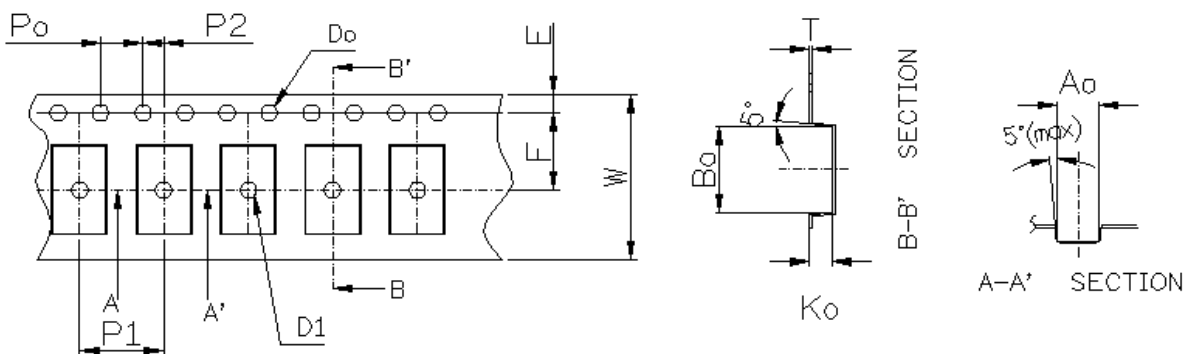
(1) Base Alumina Ceramic ( $Al_2O_3$ ) Metallized Pad: Ni Plating Au Plating
(2) Cap Fe-Ni
(3) Crystal Enclosure Seal Seal Seam
(4) Crystal Blank Rectangular At-Cut Quartz Crystal Blank
(5) Adhesive Silver Conductive Silicon Resin
(6) PAD Alumina Ceramic (Ni, Au)
(7) Electrode

The use prohibition chemistry substance of Table 1 of DHE-0204-1 (HE-QA-24) is not included in this item.

Title HSX531S				Country of origin		
QUARTZ CRYSTAL SPECIFICATION				<b>TAIWAN FACTORY</b> <b>THAILAND FACTORY</b> <b>SHENZHEN FACTORY</b>		
Date	Confirm	Check	Prepare	Spec. No.	Rev.	Page
2012/06/05	F. S. TSAI	C. L. WANG	U. F. CHEN	<b>X1H022118FK1H-V</b>	0	5

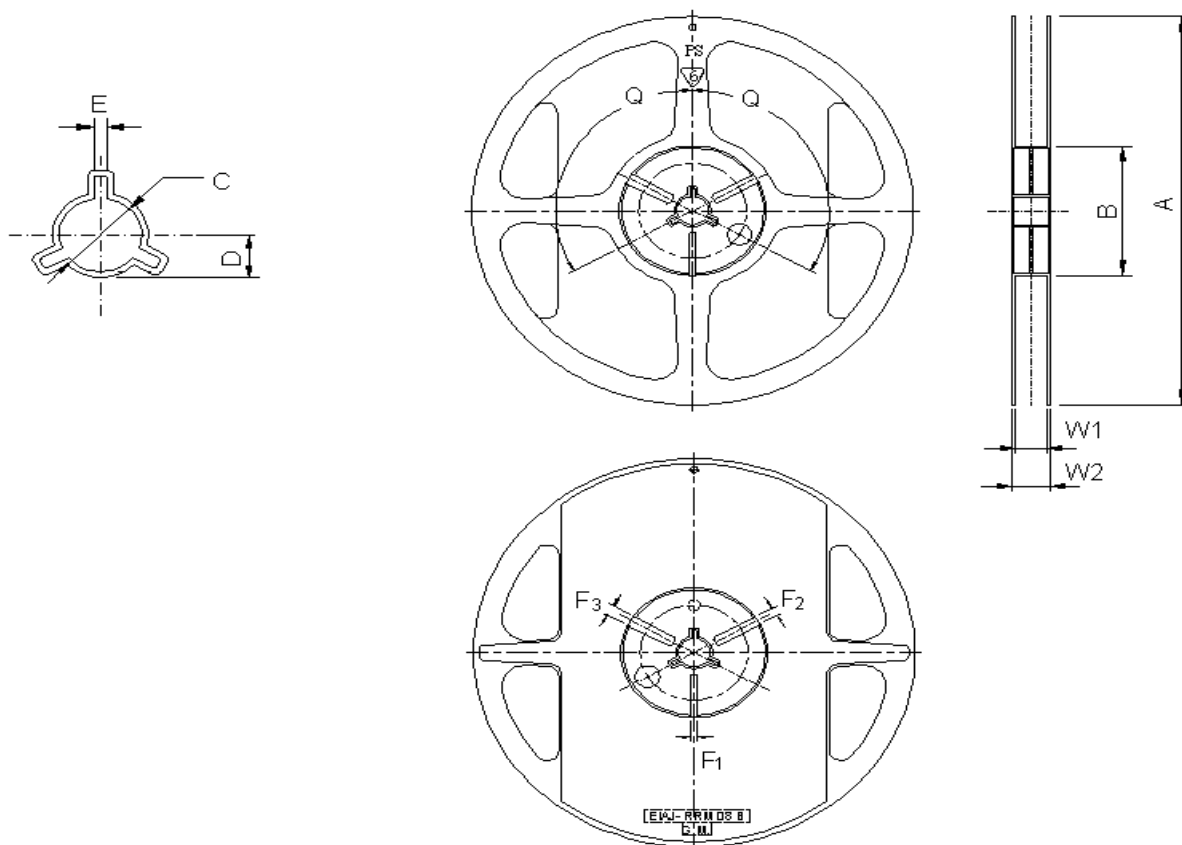
#### 4. HSX531S EMBOSS CARRIER TAPE & REEL

##### a.) Dimensions of Carrier Tape



Symbol	$A_0$	$B_0$	$K_0$	$P_0$	$P_1$	$P_2$	$T$
Spec	$3.60 \pm 0.1$	$5.40 \pm 0.1$	$1.40 \pm 0.1$	$4.0 \pm 0.1$	$8.0 \pm 0.1$	$2.0 \pm 0.05$	$0.30 \pm 0.05$
Symbol	$E$	$F$	$D_0$	$D_1$	$W$	$10P_0$	
Spec	$1.75 \pm 0.1$	$5.50 \pm 0.05$	$1.55 \pm 0.05$	1.50(min)	$12.0 \pm 0.2$	$40.0 \pm 0.1$	

##### b.) Dimensions of Reel



Title HSX531S

QUARTZ CRYSTAL SPECIFICATION

Country of origin

**TAIWAN FACTORY**  
**THAILAND FACTORY**  
**SHENZHEN FACTORY**

Date

Confirm

Check

Prepare

Spec. No.

Rev.

Page

2012/06/05

F. S. TSAI

C. L. WANG

U. F. CHEN

**X1H022118FK1H-V**

0

6

**HARMONY ELECTRONICS CORP.**

(Table-2)

(UNIT: mm)

ITEM		MARK	DIMENSIONS · ANGLE	
FLANCE	Diameter	A	$\phi$ 180+0/-3	
	Inner Width	W1	12.8+/-0.3	
	Outer Width	W2	15.5+/-1.0	
HUB	Out Line diameter		B	$\phi$ 60.5+/-0.5
	Center Core slit	Width	F1	3.0+0.5/-0
			F2	4.0+0.5/-0
			F3	5.0+0.5/-0
		Position	q	120deg
	Spindle diameter		C	$\phi$ 13.2+/-0.5
Key Ditch	Width	E	3.0+/-0.2	

## c.) Storage condition

Temperature: +40deg.C Max.

Relative Humidity: 80% Max.



## d.) Standard packing quantity

1,000PCS / REEL

## e.) Material of the tape

Tape	Material
Carrier tape	A – PET
Top tape	Polyester

## f.) Label contents

	
TYPE:	
SPEC.No.:	
Parts No.:	
LotNo.:	
FREQ.:	MHz
Q'TY:	PCS
HARMONY ELECTRONICS CORP. 	

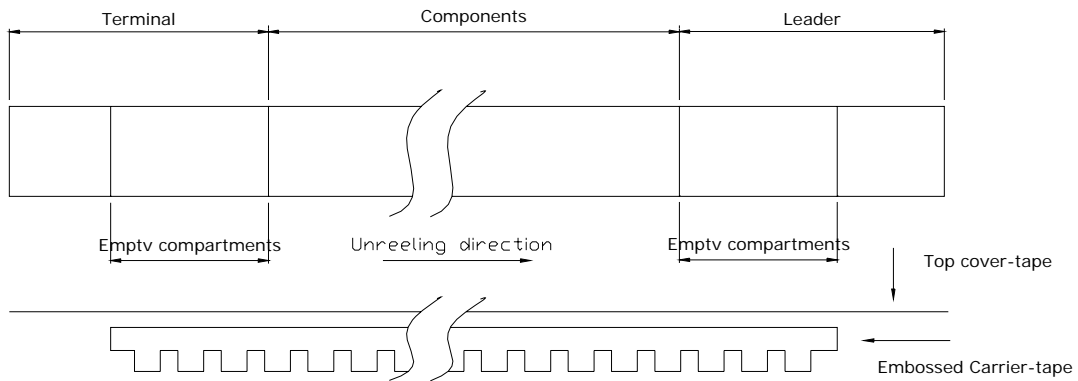
Sticks label for every reel.

Title HSX531S				Country of origin <b>TAIWAN FACTORY</b> <b>THAILAND FACTORY</b> <b>SHENZHEN FACTORY</b>		
QUARTZ CRYSTAL SPECIFICATION						
Date	Confirm	Check	Prepare	Spec. No.	Rev.	Page
2012/06/05	F. S. TSAI	C. L. WANG	U. F. CHEN	<b>X1H022118FK1H-V</b>	0	7

HARMONY ELECTRONICS CORP.

g.) Taping dimension

Leader	Cover-tape	The length of cover-tape in the leader is more than 400 mm including empty embossed area.
	Carrier-tape	After all products were packaged, must remain more than twenty pieces or 400 mm empty area, which should be sealed by cover-tape.
Terminal	Cover-tape	The tip of cover-tape shall be fixed temporary by paper tape and roll around the core of reel one round.
	Carrier-tape	The empty embossed area which are sealed by top cover-tape must remain more the 40 mm.



h.) Joint of tape

The carrier-tape and top cover-tape should not be jointed.

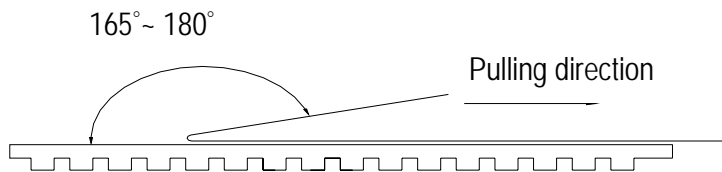
i.) Release strength of cover tape

It has to between 0.1N to 0.7N under following condition.

Pulling direction 165° to 180°

Speed 300mm/min.

Otherwise unless specified.



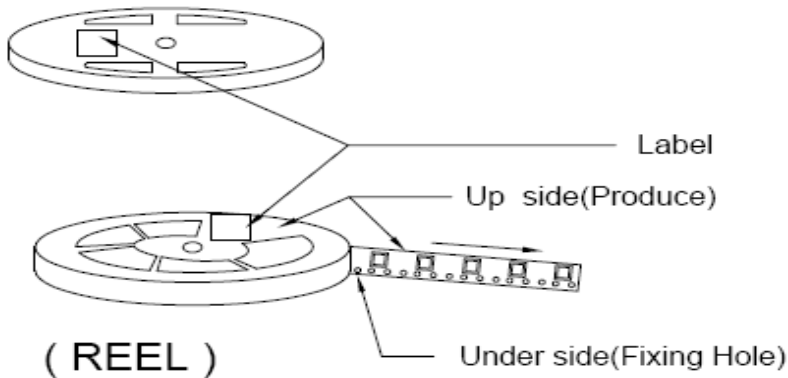
Other standards shall be based on JIS C 0806-1990.

Title HSX531S				Country of origin		
QUARTZ CRYSTAL SPECIFICATION				<b>TAIWAN FACTORY</b> <b>THAILAND FACTORY</b> <b>SHENZHEN FACTORY</b>		
Date	Confirm	Check	Prepare	Spec. No.	Rev.	Page
2012/06/05	F. S. TSAI	C. L. WANG	U. F. CHEN	<b>X1H022118FK1H-V</b>	0	8



j.) Package

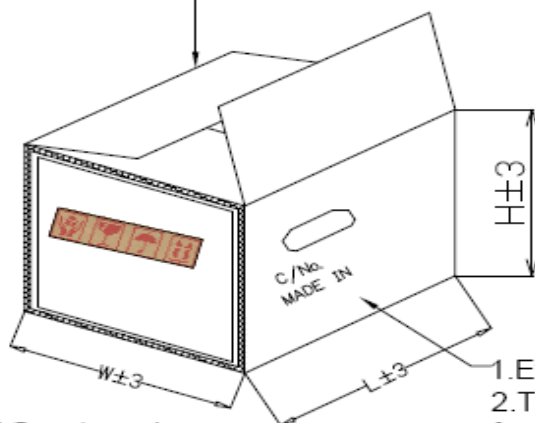
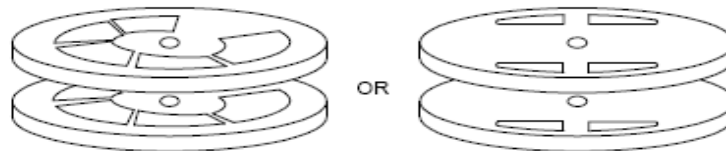
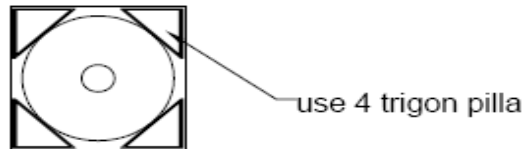
1. Reel :  $\varnothing 180$



## 2. Carton

One reel quantity: [ 1000pcs ] & [ 3000pcs ]

- ① Top and bottom with 2.3cm thickness foam-rubber cushion for protection.
- ② Carton's Q'TY: 1~15 pcs.
- ③ Carton Type=A,B,C use 4 trigon pillar to fasten the Reel.
- ④ Need to add 3 pages dry agent in each outer box.



Carton Type	A	B	C	D
Produce Type	840/751	630/531/421	321/21	OTHER
Reel	15	15	15	1~7
L±3	200	200	200	195
W±3	200	200	200	195
H±3	230	230	230	150

(Carton )

1. Every Carton with 3 desiccant.
2. Top and bottom with 2.3cm thickness foam-rubber cushion for protection

Title HSX531S

QUARTZ CRYSTAL SPECIFICATION

Country of origin

**TAIWAN FACTORY**  
**THAILAND FACTORY**  
**SHENZHEN FACTORY**

Date	Confirm	Check	Prepare	Spec. No.	Rev.	Page
2012/06/05	F. S. TSAI	C. L. WANG	U. F. CHEN	<b>X1H022118FK1H-V</b>	0	9

HARMONY ELECTRONICS CORP.

## 5. Mechanical Performance

Item		Test Methods	Specifications Code
1	Natural Drop	Drop 3 times from the height of 50cm onto min. 30mm thickness hard wooden board	A
2	Vibration	Frequency 10-55Hz, Sine Wave full amplitude of 0.8mm to X,Y and Z 3 axes, Duration of 2 hours to each axis.	A
3	Sealing Tightness	Leak Rate $1.0 \times 10^{-8}$ Pa·m <sup>3</sup> /sec. Max. measured by Helium leak detector..	---
4	Solderability	After applying ROSIN Flux, dipping in solder bath at 245°C +/-5°C for 3+/-0.5 sec.	B

## 6. Environment Performance

Item		Test Methods	Specifications Code
1	Humidity	Temperature 60°C +/-2°C, RH 90~95%, Duration of 240 hours Back to room temperature first, then in 1~2 hours, the component shall be checked.	A
2	Storage in Low Temperature	-40°C +/-2°C, Duration of 240 hours. Back to the room temperature first, then in 1~2 hours, the component shall be checked.	A
3	Storage in High Temperature	+85°C +/-2°C, Duration of 240 hours. Back to the room temperature first, then in 1~2 hours, the component shall be checked.	A
4	Temperature cycles	-40°C +/-2°C (30min) ↔ +85°C +/-2°C (30min) 25 cycles Back to the room temperature first, then in 1~2 hours, the component shall be checked.	A

Specifications code	Specifications
<b>A</b>	Frequency variation shall be within +/-5ppm and equivalent resistance shall be within the specification after the test
<b>B</b>	More than 90% of lead shall be covered by new solder.

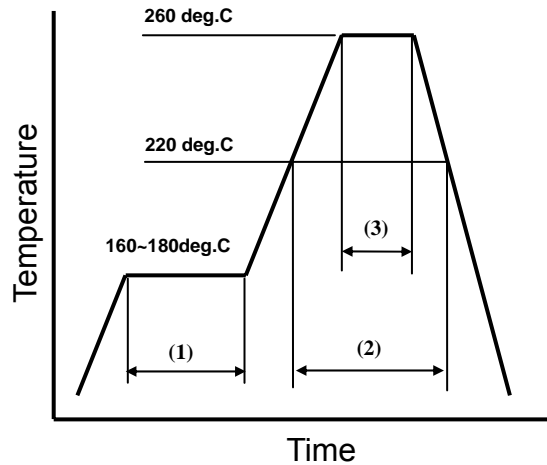
Title HSX531S				Country of origin		
QUARTZ CRYSTAL SPECIFICATION				<b>TAIWAN FACTORY</b> <b>THAILAND FACTORY</b> <b>SHENZHEN FACTORY</b>		
Date	Confirm	Check	Prepare	Spec. No.	Rev.	Page
2012/06/05	F. S. TSAI	C. L. WANG	U. F. CHEN	<b>X1H022118FK1H-V</b>	0	10

## 7. Supplement

### 7.1.Soldering

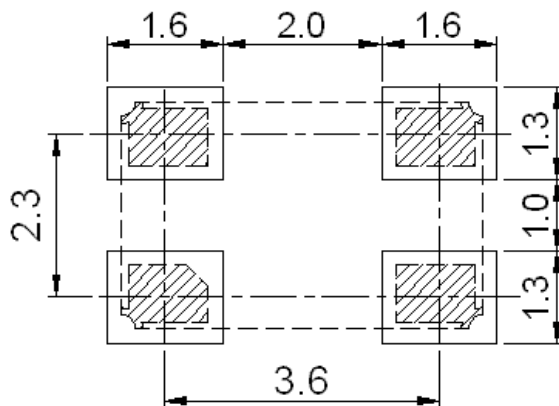
7.2.Please stay with our proposed reflow condition and do then soldering 2 times max.

*Available for Lead Free Soldering*



(1)	Preheat	160~180 deg.C	120sec.
(2)	Primary heat	220 deg.C	60sec.
(3)	Peak	260 deg.C	10sec. Max.

### 7.3.Land pattern layout(Example)



Title HSX531S

QUARTZ CRYSTAL SPECIFICATION

Country of origin

**TAIWAN FACTORY**  
**THAILAND FACTORY**  
**SHENZHEN FACTORY**

Date

Confirm

Check

Prepare

Spec. No.

Rev.

Page

2012/06/05

F. S. TSAI

C. L. WANG

U. F. CHEN

**X1H022118FK1H-V**

0

11

**HARMONY ELECTRONICS CORP.**

#### 7.4.Solder iron (Example)

Bit temp.:350°C max.,Time:3sec max. ,Each terminal solder a 1 time max.

#### 7.5.Mounting

This component is designed for automatic insertion.

However, you are requested to do the trial with your insertion machine in order to be Sure of proper operation and no damage of component.

Please pay attention to board warp which may damage the component and cause Soldering process.

#### 7.6.Cleaning

Cleaning liquid which corrodes Nickel shall not be used

It may cause the problem on the surface, color, marking etc.

Ultra-sonic cleaning is possible, however, you are requested to check on your board.

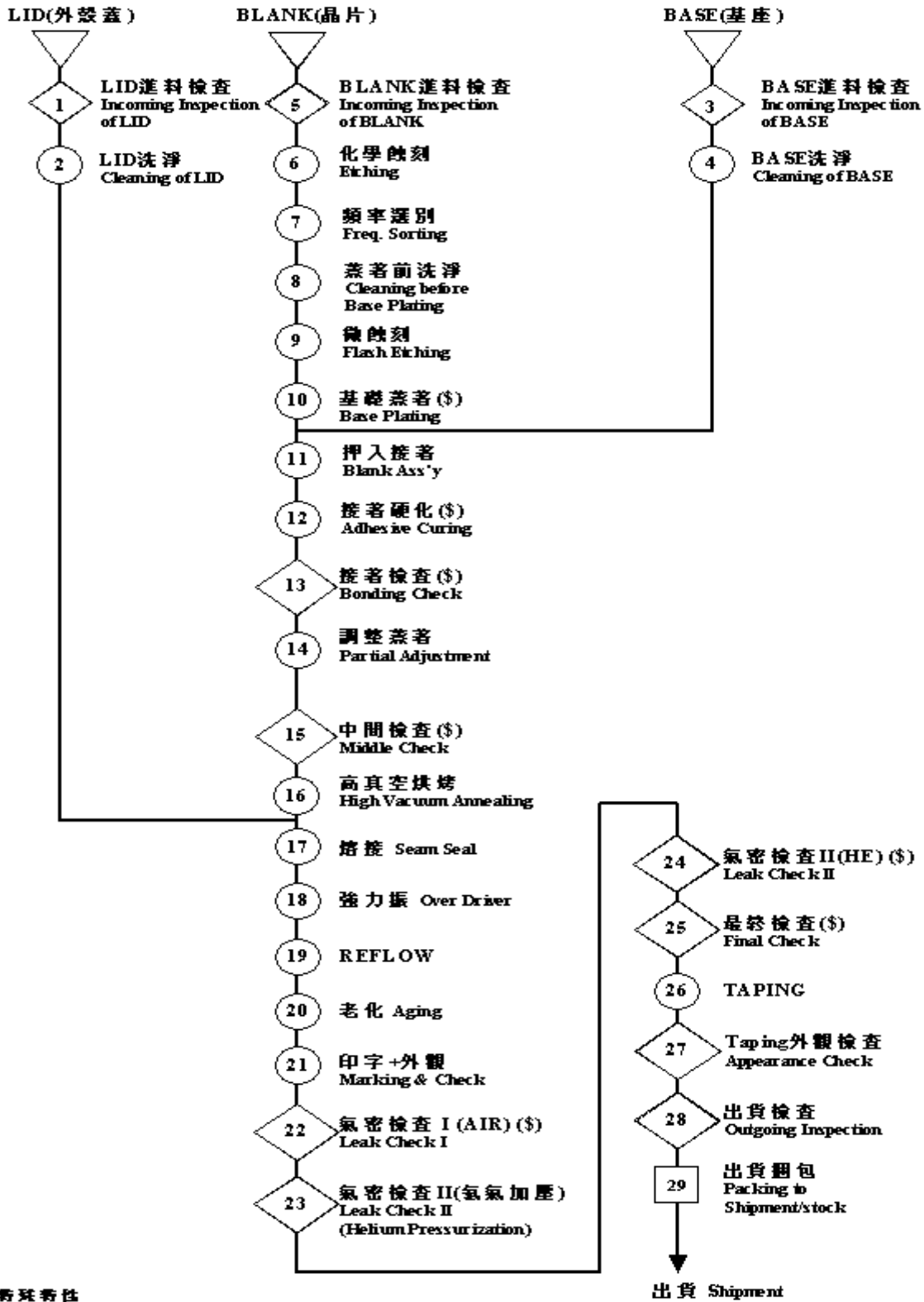
Because we only checked as single unit.

#### 7.7.Storage

Please keep away from high temperature and high humidity ,which may cause put Solderbility. No direct Sunlight, No dew as well.

Title HSX531S				Country of origin		
QUARTZ CRYSTAL SPECIFICATION				TAIWAN FACTORY THAILAND FACTORY SHENZHEN FACTORY		
Date	Confirm	Check	Prepare	Spec. No.	Rev.	Page
2012/06/05	F. S. TSAI	C. L. WANG	U. F. CHEN	X1H022118FK1H-V	0	12

### 8. Flow Chard



(\$): 特殊特性  
(For Special Characteristics)

Title HSX531S				Country of origin <b>TAIWAN FACTORY</b> <b>THAILAND FACTORY</b> <b>SHENZHEN FACTORY</b>		
QUARTZ CRYSTAL SPECIFICATION						
Date	Confirm	Check	Prepare	Spec. No.	Rev.	Page
2012/06/05	F. S. TSAI	C. L. WANG	U. F. CHEN	<b>X1H022118FK1H-V</b>	0	13

9. Environmental Workload Chemical Substance Components List

Environmental Workload Chemical Substance Components List			
PERCENTAGE	TYPE	H(D)SX531S	
	Chemical Substance Components	40.4(mg)	ppm
	SILICON(Si)	0.15756	63.65
	GOLD(Au)	0.15756	63.65
	COBALT AND ITS COMPOUND(Co)	2.56944	1038.05
	MOLYBDENUM AND ITS COMPOUND(Mo)	0.12928	52.23
	SILVER(Ag)	0.71104	287.26
	COPPER(Cu)	0.10100	40.80
	CHROMIUM AND ITS COMPOUND(Cr)	0.06868	27.75
	ALUMINIUM(Al)	11.11000	4488.44
	MANGANESE AND ITS COMPOUND(Mn)	0.06464	26.11
	WOLFRAM AND ITS COMPOUND(W)	0.15352	62.02
	NICKEL AND ITS COMPOUND(Ni)	6.13676	2479.25
	IRON(Fe)	9.45764	3820.89

Title HSX531S				Country of origin <b>TAIWAN FACTORY</b> <b>THAILAND FACTORY</b> <b>SHENZHEN FACTORY</b>		
QUARTZ CRYSTAL SPECIFICATION						
Date	Confirm	Check	Prepare	Spec. No.	Rev.	Page
2012/06/05	F. S. TSAI	C. L. WANG	U. F. CHEN	<b>X1H022118FK1H-V</b>	0	14

