

Low power consumption, Low dropout voltage, With CE function

General Description

ME6213 series are highly precise, low power consumption, high voltage, positive voltage regulators manufactured using CMOS and laser trimming technologies. The series provides large currents with a significantly small dropout voltage. The current limiter's foldback circuit also operates as a short protect for the output current limiter and the output pin. The CE function allows the output of regulator to be turned off, resulting in greatly reduced power consumption.

Typical Application

- Battery powered equipment
- Communication tools
- Mobile phones
- Portable games
- Portable AV systems
- Cameras, Video systems
- Reference voltage sources

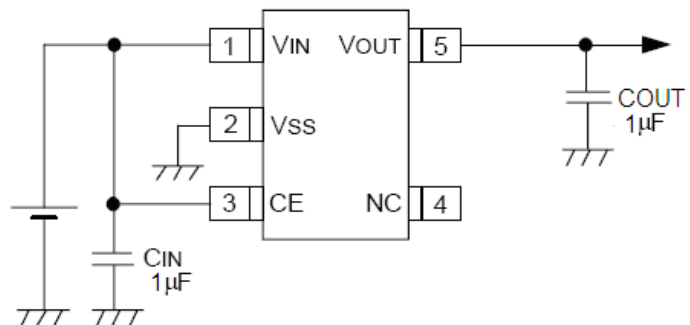
Features

- Highly Accurate: $\pm 2\%$
- Output voltage range: 1.2V~5.0V
- Low power consumption: 7.5uA(TYP.)
- Large output current: 300mA ($V_{IN}=3.8V, V_{OUT}=2.8V$)
- Input voltage: up to 6 V
- Dropout voltage:
0.11V at 100mA and 0.23V at 200mA
- CE Pin Function : Active High
- Short-circuit Current: 45mA(TYP.)
- Excellent Input Stability
- Be available to regulator and reference voltage

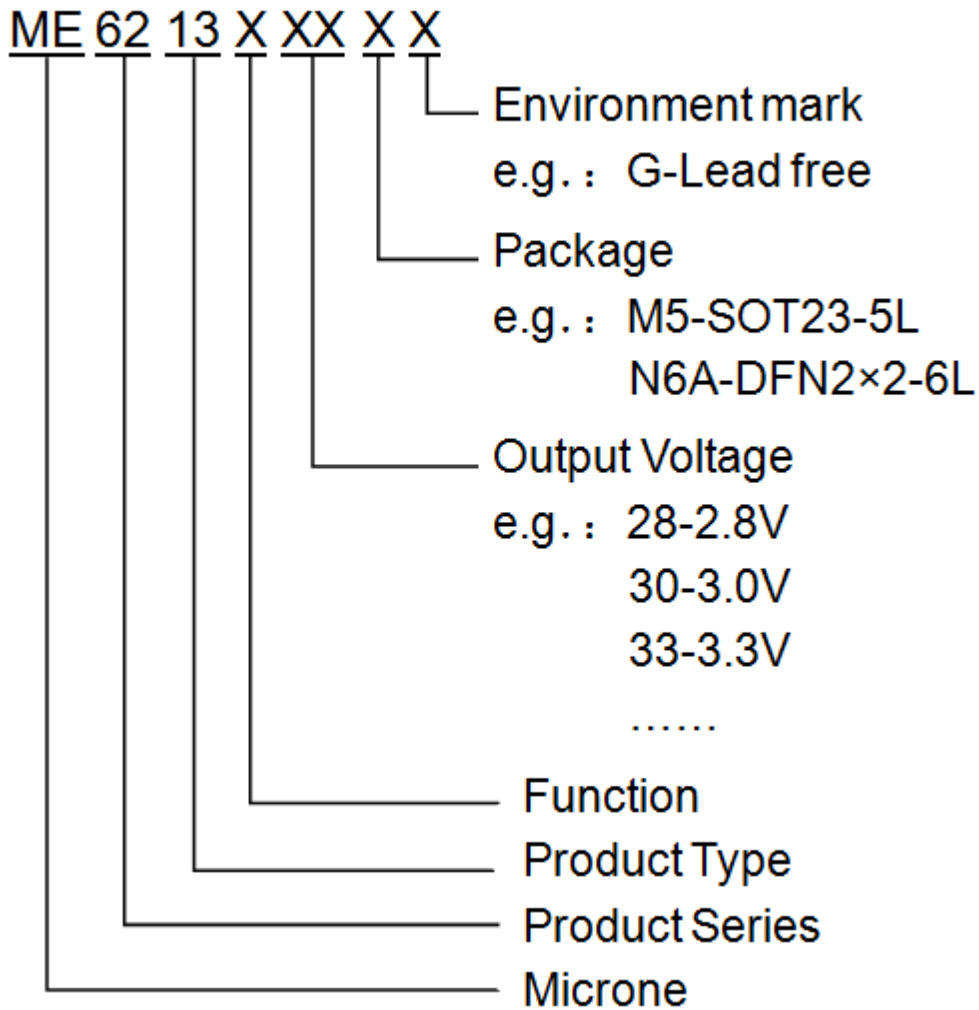
Package

- 5-pin SOT23-5
- 6-pin DFN2×2-6L

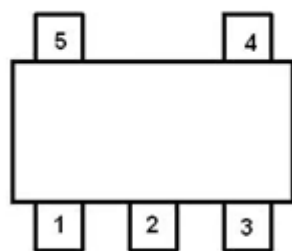
Typical Application Circuit



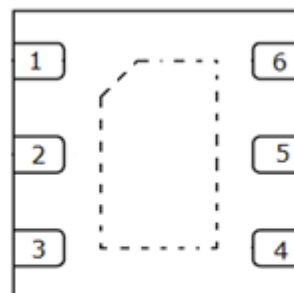
Selection Guide



Pin Configuration



SOT23-5L



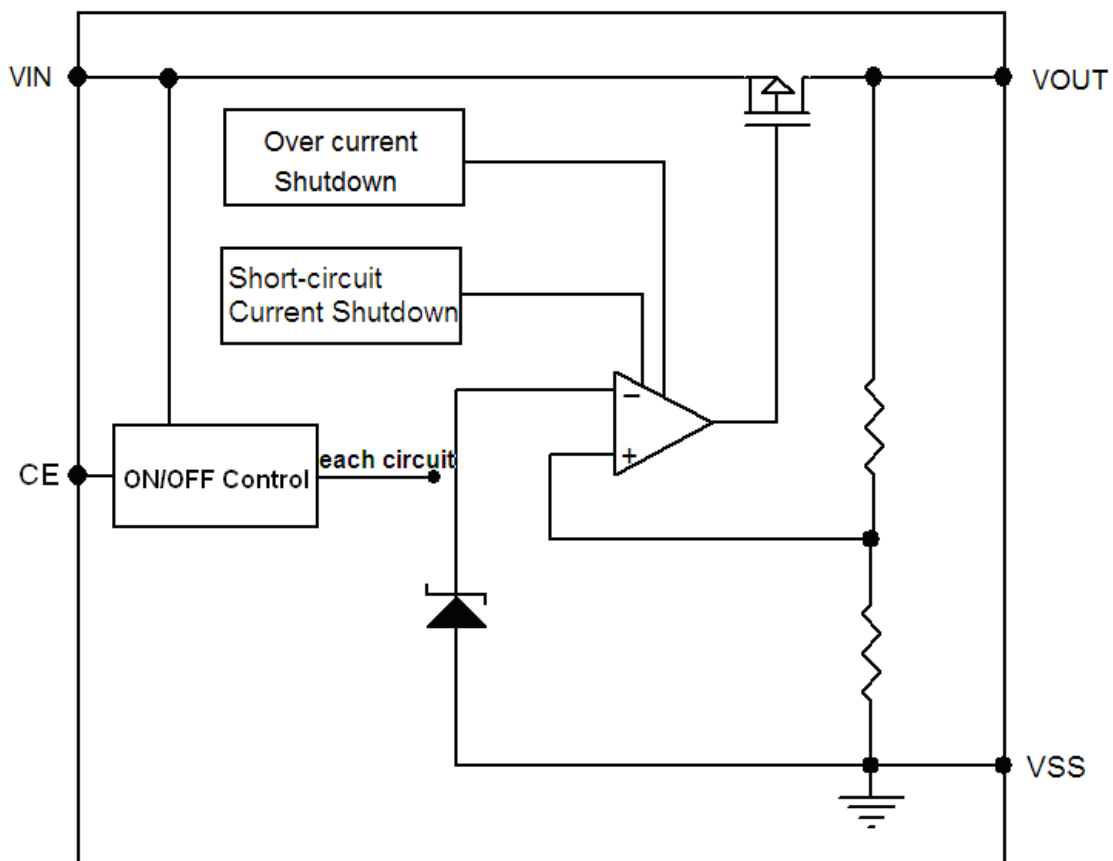
DFN 2x2-6L

Pin Assignment

Pin Number	Pin Name	Functions
SOT23-5L		
1	V_{IN}	Power Input
2	V_{SS}	Ground
3	CE	ON / OFF Control
4	NC	No Connect
5	V_{OUT}	Output

Pin Number	Pin Name	Functions
DFN2×2-6L		
1	CE	ON / OFF Control
2	V_{SS}	Ground
3	V_{IN}	Power Input
4	V_{OUT}	Output
5	NC	No Connect
6	NC	No Connect

Block Diagram



Absolute Maximum Ratings

Parameter		Symbol	Ratings	Units
Input Voltage		V_{IN}	6.5	V
Output Current		I_{OUT}	420	mA
Output Voltage		V_{OUT}	$V_{SS}-0.3 \sim V_{IN} + 0.3$	V
CE Pin Voltage		V_{CE}	$V_{SS}-0.3 \sim V_{IN} + 0.3$	V
Power Dissipation	SOT23-5	P_D	250	mW
Operating Temperature Range		T_{OPR}	$-40 \sim +125$	$^{\circ}C$
Storage Temperature Range		T_{STG}	$-40 \sim +150$	$^{\circ}C$
Lead Temperature			$260^{\circ}C, 4sec$	

Electrical Characteristics

ME6213C28

($V_{IN} = V_{OUT} + 1V$, $V_{CE} = V_{IN}$, $C_{IN} = C_{OUT} = 1\mu F$, $T_a = 25^{\circ}C$, unless otherwise noted)

Parameter	Symbol	Conditions	Min.	Typ.	Max.	Units
Output Voltage	$V_{OUT(E)}$ (Note 2)	$I_{OUT} = 30mA$, $V_{IN} = V_{OUT} + 1V$	X 0.98	$V_{OUT(T)}$ (Note 1)	X 1.02	V
Input Voltage	V_{IN}		2.8		6	V
Maximum Output Current	I_{OUTMAX}	$V_{IN} = V_{OUT} + 1V$		300		mA
Load Regulation	ΔV_{OUT}	$V_{IN} = V_{OUT} + 1V$, $1mA \leq I_{OUT} \leq 100mA$		4		mV
Dropout Voltage(Note 1)	V_{DIF1}	$I_{OUT} = 100mA$		110		mV
	V_{DIF2}	$I_{OUT} = 200mA$		230		mV
Supply Current	I_{SS}	$V_{IN} = V_{OUT} + 1V$		7.5		μA
Stand-by Current	I_{CEL}	$V_{CE} = 0V$		0.02		μA
Line Regulation	ΔV_{OUT}	$I_{OUT} = 30mA$ $V_{OUT} + 1V \leq V_{IN} \leq 6V$		5		mV
CE "High" Voltage	V_{CEH}	Start up	1.0			V
CE "Low" Voltage	V_{CEL}	Shut down			0.5	V
Short-circuit Current	I_{SHORT}	$V_{IN} = V_{OUT} + 1V$, $V_{CE} = V_{IN}$, $V_{OUT} = 0V$		45		mA
Over Current Protection	I_{limit}	$V_{IN} = 3.8V$		430		mA

ME6213C33

($V_{IN} = V_{OUT} + 1V$, $V_{CE} = V_{IN}$, $C_{IN} = C_{OUT} = 1\mu F$, $T_a = 25^\circ C$, unless otherwise noted)

Parameter	Symbol	Conditions	Min.	Typ.	Max.	Units
Output Voltage	$V_{OUT(E)}$ (Note 2)	$I_{OUT} = 30mA$, $V_{IN} = V_{OUT} + 1V$	X 0.98	$V_{OUT(T)}$ (Note 1)	X 1.02	V
Input Voltage	V_{IN}		3.3		6	V
Maximum Output Current	I_{OUTMAX}	$V_{IN} = V_{OUT} + 1V$		350		mA
Load Regulation	ΔV_{OUT}	$V_{IN} = V_{OUT} + 1V$, $1mA \leq I_{OUT} \leq 100mA$		4		mV
Dropout Voltage (Note 1)	V_{DIF1}	$I_{OUT} = 100mA$		100		mV
	V_{DIF2}	$I_{OUT} = 200mA$		200		mV
Supply Current	I_{SS}	$V_{IN} = V_{OUT} + 1V$		7.5		μA
Stand-by Current	I_{CEL}	$V_{CE} = 0V$		0.02		μA
Line Regulation	ΔV_{OUT}	$I_{OUT} = 30mA$ $V_{OUT} + 1V \leq V_{IN} \leq 6V$		4		mV
CE "High" Voltage	V_{CEH}	Start up	1.0			V
CE "Low" Voltage	V_{CEL}	Shut down			0.5	V
Short-circuit Current	I_{SHORT}	$V_{IN} = V_{OUT} + 1V$, $V_{CE} = V_{IN}$, $V_{OUT} = 0V$		45		mA
Over Current Protection	I_{limit}	$V_{IN} = 4.3V$		440		mA

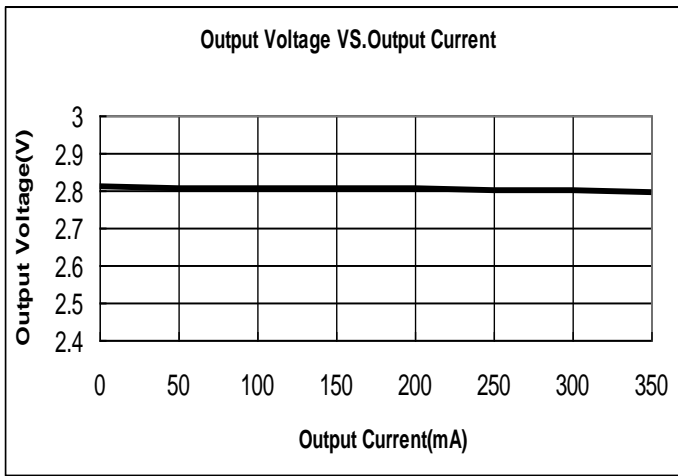
Note :

- $V_{OUT(T)}$: Specified Output Voltage
- $V_{OUT(E)}$: Effective Output Voltage (i.e. The output voltage when " $V_{OUT(T)} + 1.0V$ " is provided at the Vin pin while maintaining a certain Iout value.)
- V_{DIF} : $V_{IN1} - V_{OUT(E)}$
 V_{IN1} : The input voltage when $V_{OUT(E)}$ appears as input voltage is gradually decreased.
 $V_{OUT(E)}$ = A voltage equal to 98% of the output voltage whenever an amply stabilized Iout $\{V_{OUT(T)} + 1.0V\}$ is input.

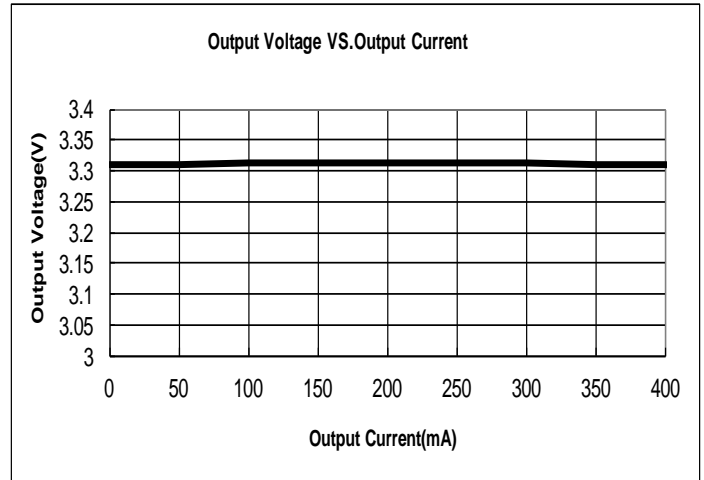
Type Characteristics

(1) Output Voltage VS. Output Current ($V_{IN}=V_{OUT}+1$, $T_a = 25^\circ\text{C}$)

ME6213C28

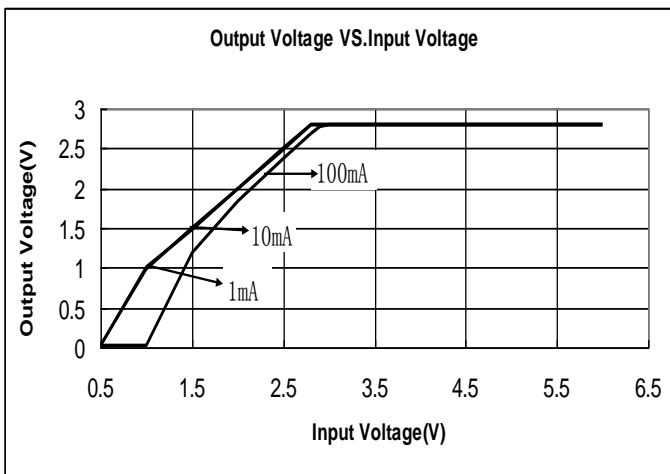


ME6213C33

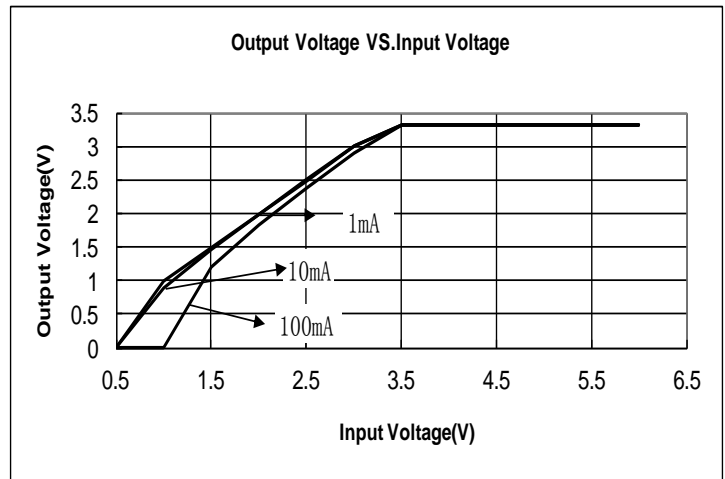


(2) Output Voltage VS. Input Voltage ($T_a = 25^\circ\text{C}$)

ME6213C28

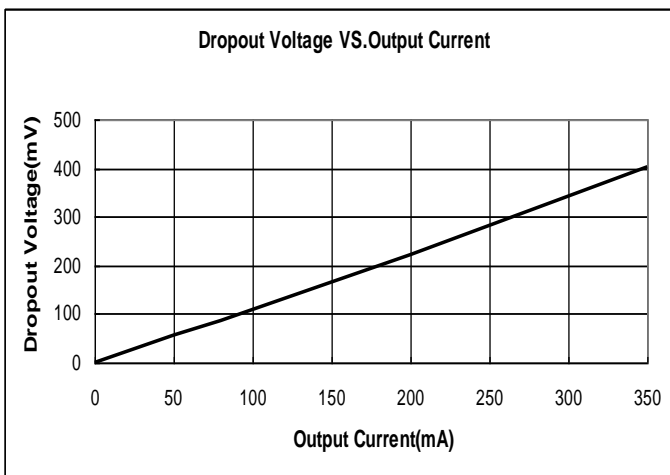


ME6213C33

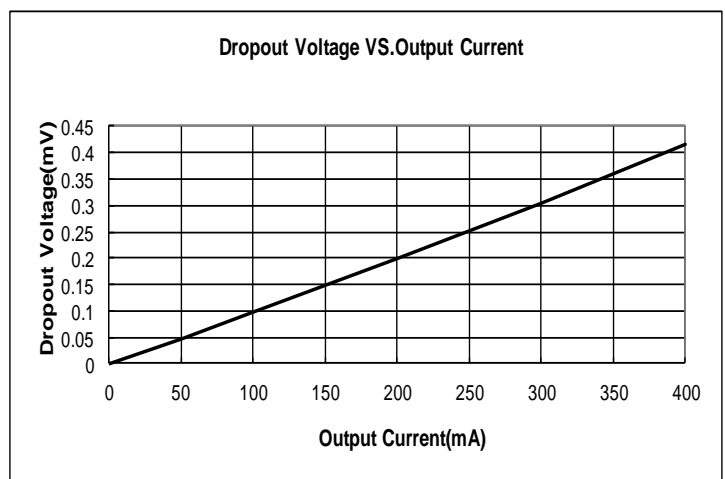


(3) Dropout Voltage VS. Output Current ($V_{IN}=V_{OUT}+1\text{V}$, $T_a = 25^\circ\text{C}$)

ME6213C28

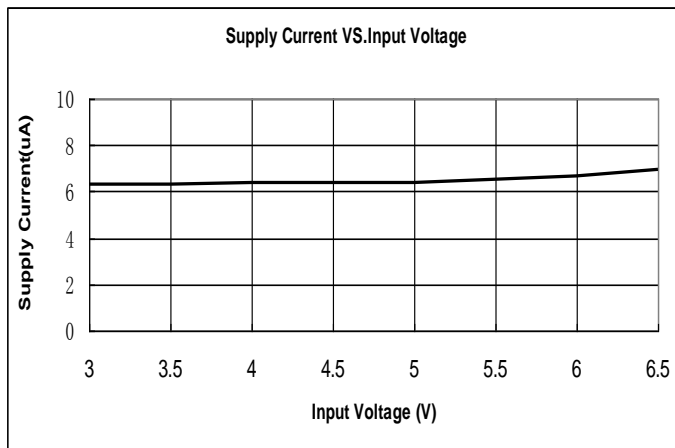


ME6213C33

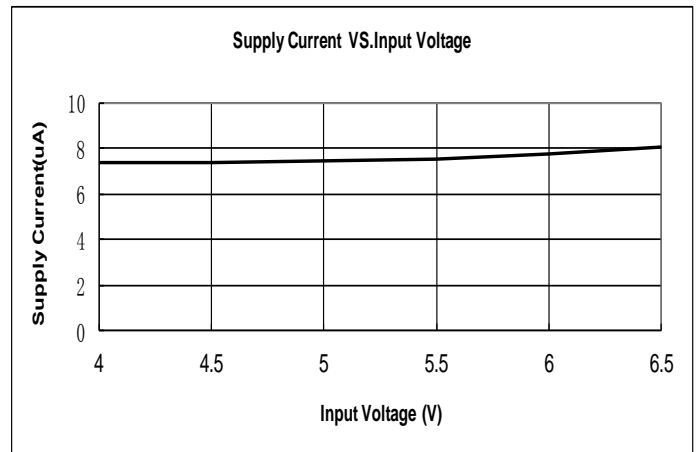


(4) Supply Current VS. Input Voltage ($T_a = 25\text{ }^\circ\text{C}$)

ME6213C28

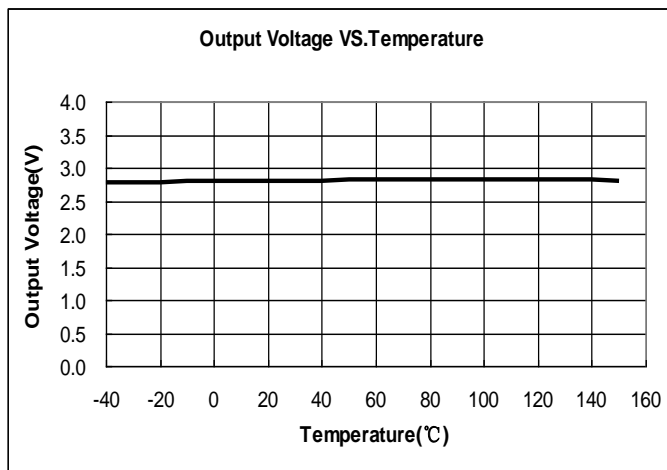


ME6213C33

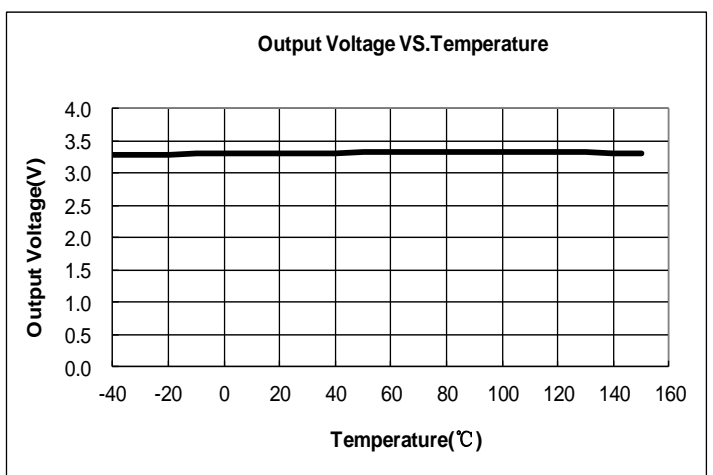


(5) Output Voltage VS. Temperature ($V_{IN}=V_{OUT}+1V$, $I_{OUT}=10mA$)

ME6213C28

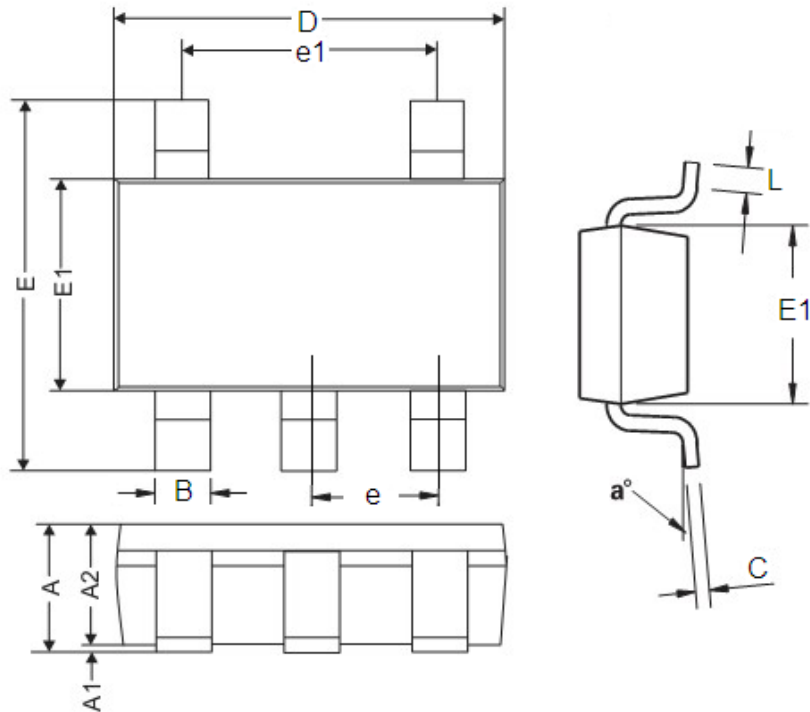


ME6213C33



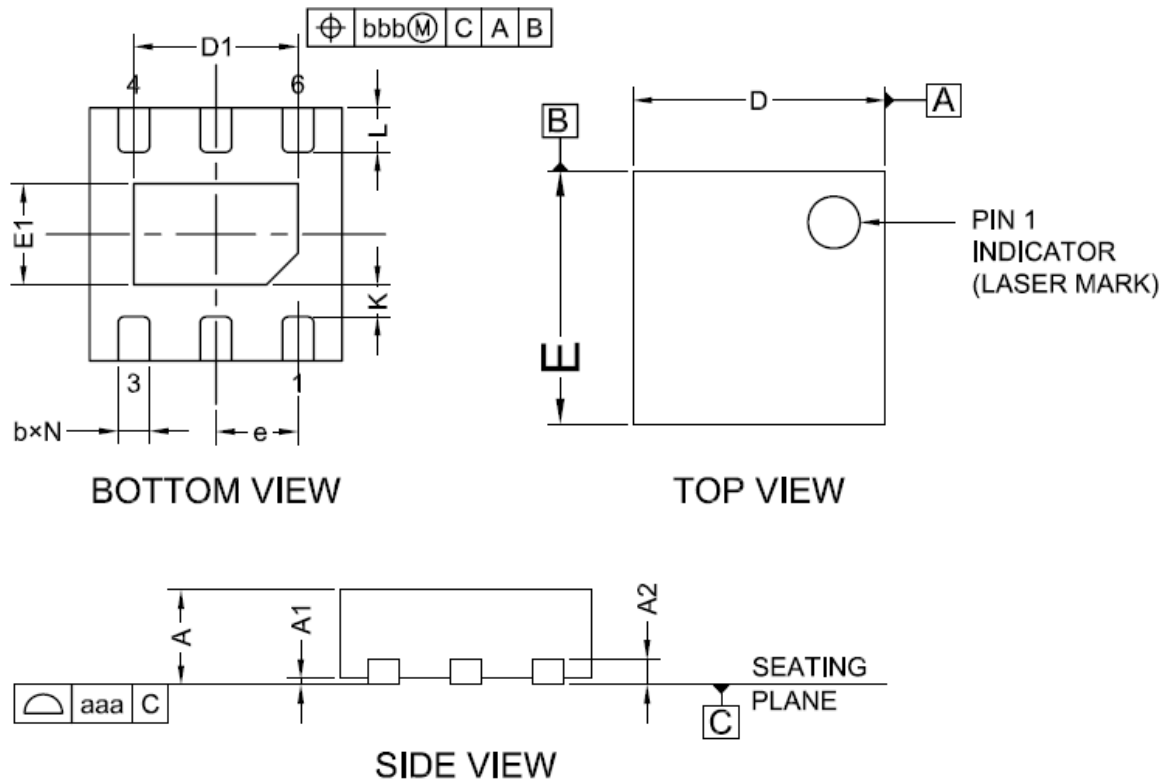
Packaging Information

- SOT23-5L



DIM	Millimeters		Inches	
	Min	Max	Min	Max
A	0.9	1.45	0.0354	0.0570
A1	0	0.15	0	0.0059
A2	0.9	1.3	0.0354	0.0511
B	0.25	0.5	0.0098	0.0196
C	0.10	0.23	0.0039	0.009
D	2.82	3.05	0.1110	0.1201
E	2.6	3.05	0.1024	0.1201
E1	1.50	1.75	0.0590	0.0688
e	0.95REF		0.0374REF	
e1	1.90REF		0.0748REF	
L	0.30	0.60	0.0118	0.0236
a°	0°	8°	0°	8°

● DFN2x2-6L



DIM	Dimension (mm)		
	Min	Typ	Max
A	0.70	0.75	0.80
A1	0.00	0.02	0.05
A2	0.203 REF		
b	0.20	0.25	0.30
D	1.95	2.00	2.05
D1	1.20	1.30	1.40
E	1.95	2.00	2.05
E1	0.70	0.80	0.90
e	0.65 REF		
L	0.30	0.35	0.40
K	0.20 min		
N	6		
aaa	0.08		
bbb	0.10		

- The information described herein is subject to change without notice.
- Nanjing Micro One Electronics Inc is not responsible for any problems caused by circuits or diagrams described herein whose related industrial properties, patents, or other rights belong to third parties. The application circuit examples explain typical applications of the products, and do not guarantee the success of any specific mass-production design.
- Use of the information described herein for other purposes and/or reproduction or copying without the express permission of Nanjing Micro One Electronics Inc is strictly prohibited.
- The products described herein cannot be used as part of any device or equipment affecting the human body, such as exercise equipment, medical equipment, security systems, gas equipment, or any apparatus installed in airplanes and other vehicles, without prior written permission of Nanjing Micro One Electronics Inc.
- Although Nanjing Micro One Electronics Inc exerts the greatest possible effort to ensure high quality and reliability, the failure or malfunction of semiconductor products may occur. The user of these products should therefore give thorough consideration to safety design, including redundancy, fire-prevention measures, and malfunction prevention, to prevent any accidents, fires, or community damage that may ensue.