



MMBTA92

PNP SILICON TRANSISTOR

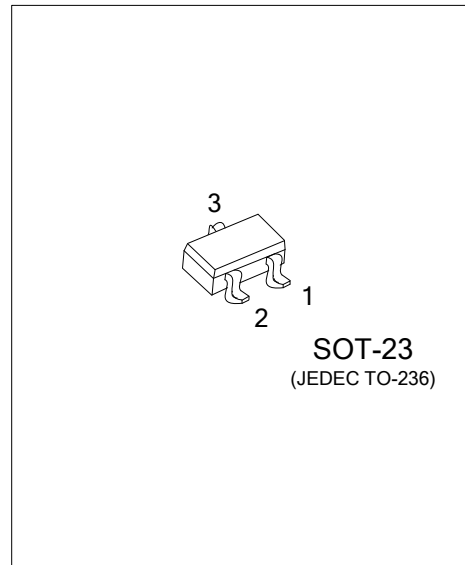
HIGH VOLTAGE PNP TRANSISTOR

DESCRIPTION

The UTC **MMBTA92** are high voltage PNP transistors, designed for telephone signal switching and for high voltage amplifier.

FEATURES

- * High Collector-Emitter voltage: $V_{CE0} = -300V$
- * Collector Dissipation: $P_{C(MAX)} = 350mW$



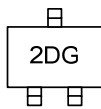
ORDERING INFORMATION

Ordering Number	Package	Pin Assignment			Packing
		1	2	3	
MMBTA92G-AE3-R	SOT-23	E	B	C	Tape Reel

Note: Pin Assignment: E: Emitter B: Base C: Collector

<p>MMBTA92G-AE3-R</p> <ul style="list-style-type: none"> (1) Packing Type (2) Package Type (3) Green Package 	<ul style="list-style-type: none"> (1) R: Tape Reel (2) AE3: SOT-23 (3) G: Halogen Free and Lead Free
---	--

MARKING



■ ABSOLUTE MAXIMUM RATINGS (Operating temperature range applies unless otherwise specified)

PARAMETER		SYMBOL	RATINGS	UNIT
Collector-Base Voltage		V_{CBO}	-300	V
Collector-Emitter Voltage		V_{CEO}	-300	V
Emitter-Base Voltage		V_{EBO}	-5	V
Collector Current		I_C	-500	mA
Collector Dissipation	$T_A=25^\circ\text{C}$	P_C	350	mW
	$T_C=25^\circ\text{C}$		1.5	W
	Derate Above $T_a > 25^\circ\text{C}$		12	mW/ $^\circ\text{C}$
Junction Temperature		T_J	+150	$^\circ\text{C}$
Storage Temperature		T_{STG}	-40 ~ +150	$^\circ\text{C}$

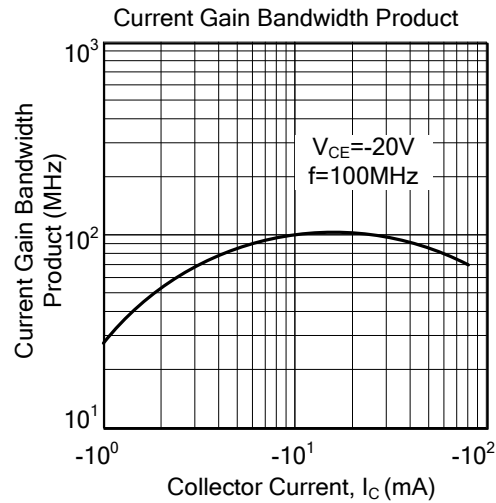
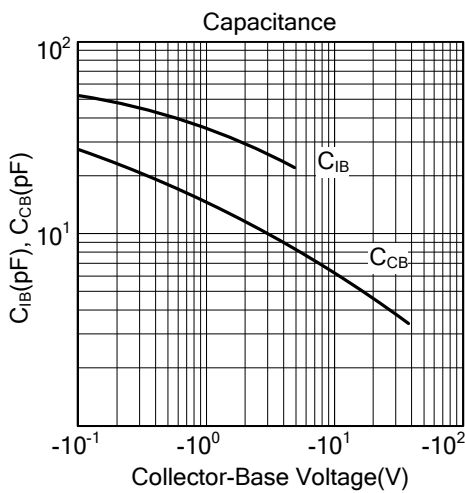
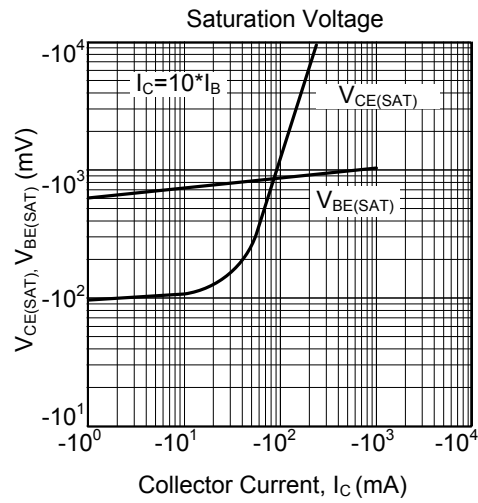
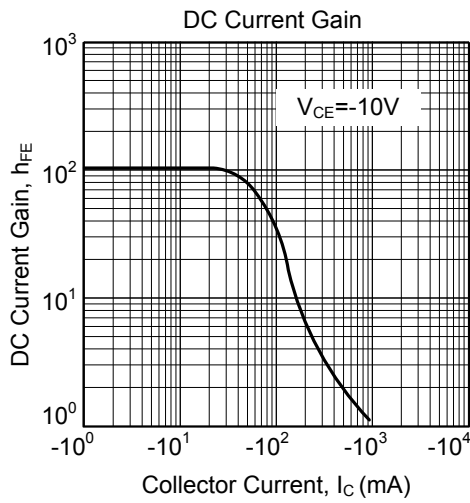
Note: Absolute maximum ratings are those values beyond which the device could be permanently damaged. Absolute maximum ratings are stress ratings only and functional device operation is not implied.

■ ELECTRICAL CHARACTERISTICS ($T_J=25^\circ\text{C}$, unless otherwise specified)

PARAMETER	SYMBOL	TEST CONDITIONS	MIN	TYP	MAX	UNIT
Collector-Base Breakdown Voltage	BV_{CBO}	$I_C=-100\mu\text{A}, I_E=0$	-300			V
Collector-Emitter Breakdown Voltage	BV_{CEO}	$I_C=-1\text{mA}, I_B=0$	-300			V
Emitter-Base Breakdown Voltage	BV_{EBO}	$I_E=-100\mu\text{A}, I_C=0$	-5			V
Collector Cut-Off Current	I_{CBO}	$V_{CB}=-200\text{V}, I_E=0$			-0.25	μA
Emitter Cut-Off Current	I_{EBO}	$V_{EB}=-3\text{V}, I_C=0$			-0.10	μA
DC Current Gain (Note)	h_{FE}	$V_{CE}=-10\text{V}, I_C=-1\text{mA}$	60			
		$V_{CE}=-10\text{V}, I_C=-10\text{mA}$	80			
		$V_{CE}=-10\text{V}, I_C=-30\text{mA}$	80			
Collector-Emitter Saturation Voltage	$V_{CE(SAT)1}$	$I_C=-20\text{mA}, I_B=-2\text{mA}$			-0.5	V
Base-Emitter Saturation Voltage	$V_{BE(SAT)1}$	$I_C=-20\text{mA}, I_B=-2\text{mA}$			-0.90	V
Current Gain Bandwidth Product	f_T	$V_{CE}=-20\text{V}, I_C=-10\text{mA}, f=100\text{MHz}$	50			MHz
Collector Base Capacitance	C_{cb}	$V_{CB}=-20\text{V}, I_E=0, f=1\text{MHz}$			6	pF

Note: Pulse test: $PW < 300\mu\text{s}$, Duty Cycle $< 2\%$, $V_{CE(SAT)1} < 200\text{mV}$ (Class SIN)

TYPICAL CHARACTERISTICS



UTC assumes no responsibility for equipment failures that result from using products at values that exceed, even momentarily, rated values (such as maximum ratings, operating condition ranges, or other parameters) listed in products specifications of any and all UTC products described or contained herein. UTC products are not designed for use in life support appliances, devices or systems where malfunction of these products can be reasonably expected to result in personal injury. Reproduction in whole or in part is prohibited without the prior written consent of the copyright owner. The information presented in this document does not form part of any quotation or contract, is believed to be accurate and reliable and may be changed without notice.