



FM24C02B/04B/08B/16B ***2-Wire Serial EEPROM***

Data Sheet

Apr. 2013



INFORMATION IN THIS DOCUMENT IS INTENDED AS A REFERENCE TO ASSIST OUR CUSTOMERS IN THE SELECTION OF SHANGHAI FUDAN MICROELECTRONICS GROUP CO., LTD PRODUCT BEST SUITED TO THE CUSTOMER'S APPLICATION; THEY DO NOT CONVEY ANY LICENSE UNDER ANY INTELLECTUAL PROPERTY RIGHTS, OR ANY OTHER RIGHTS, BELONGING TO SHANGHAI FUDAN MICROELECTRONICS GROUP CO., LTD OR A THIRD PARTY.

WHEN USING THE INFORMATION CONTAINED IN THIS DOCUMENTS, PLEASE BE SURE TO EVALUATE ALL INFORMATION AS A TOTAL SYSTEM BEFORE MAKING A FINAL DECISION ON THE APPLICABILITY OF THE INFORMATION AND PRODUCTS. PURCHASERS ARE SOLELY RESPONSIBLE FOR THE CHOICE, SELECTION AND USE OF THE SHANGHAI FUDAN MICROELECTRONICS GROUP CO., LTD PRODUCTS AND SERVICES DESCRIBED HEREIN, AND SHANGHAI FUDAN MICROELECTRONICS GROUP CO., LTD ASSUMES NO LIABILITY WHATSOEVER RELATING TO THE CHOICE, SELECTION OR USE OF THE SHANGHAI FUDAN MICROELECTRONICS GROUP CO., LTD PRODUCTS AND SERVICES DESCRIBED HEREIN. UNLESS EXPRESSLY APPROVED IN WRITING BY AN AUTHORIZED SHANGHAI FUDAN MICROELECTRONICS GROUP CO., LTD REPRESENTATIVE, SHANGHAI FUDAN MICROELECTRONICS GROUP CO., LTD PRODUCTS ARE NOT RECOMMENDED, AUTHORIZED OR WARRANTED FOR USE IN MILITARY, AIR CRAFT, SPACE, LIFE SAVING, OR LIFE SUSTAINING APPLICATIONS, NOR IN PRODUCTS OR SYSTEMS WHERE FAILURE OR MALFUNCTION MAY RESULT IN PERSONAL INJURY, DEATH, OR SEVERE PROPERTY OR ENVIRONMENTAL DAMAGE.

FUTURE ROUTINE REVISIONS WILL OCCUR WHEN APPROPRIATE, WITHOUT NOTICE. CONTACT SHANGHAI FUDAN MICROELECTRONICS GROUP CO., LTD SALES OFFICE TO OBTAIN THE LATEST SPECIFICATIONS AND BEFORE PLACING YOUR PRODUCT ORDER. PLEASE ALSO PAY ATTENTION TO INFORMATION PUBLISHED BY SHANGHAI FUDAN MICROELECTRONICS GROUP CO., LTD BY VARIOUS MEANS, INCLUDING SHANGHAI FUDAN MICROELECTRONICS GROUP CO., LTD HOME PAGE ([HTTP://WWW.FMSH.COM/](http://www.fms.com/)).

PLEASE CONTACT SHANGHAI FUDAN MICROELECTRONICS GROUP CO., LTD LOCAL SALES OFFICE FOR THE SPECIFICATION REGARDING THE INFORMATION IN THIS DOCUMENT OR SHANGHAI FUDAN MICROELECTRONICS GROUP CO., LTD PRODUCTS.

Trademarks

Shanghai Fudan Microelectronics Group Co., Ltd name and logo, the “复旦” logo are trademarks or registered trademarks of Shanghai Fudan Microelectronics Group Co., Ltd or its subsidiaries in China.

Shanghai Fudan Microelectronics Group Co., Ltd, Printed in the China, All Rights Reserved..

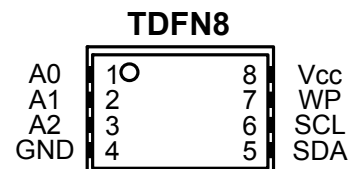
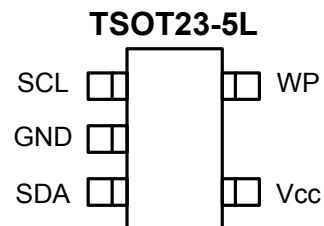
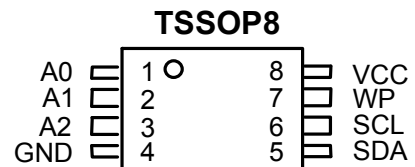
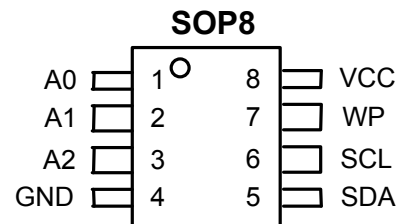
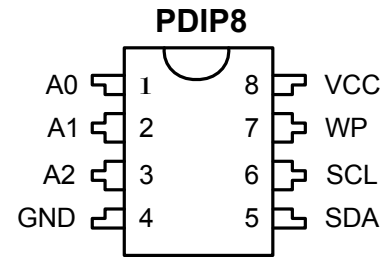
Description

The FM24C02B/04B/08B/16B provides low operation voltage of 2048/4096/8192/16384 bits of serial electrically erasable and programmable read-only memory (EEPROM) organized as 256/512/1024/2048 words of 8 bits each. The device is optimized for use in many industrial and commercial applications where low-power and low-voltage operations are essential.

Features

- Low Operation Voltage: $V_{CC} = 1.7V$ to $3.6V$
- 5V tolerant I/O
- Internally Organized: 256 x 8 (2K), 512 x 8 (4K), 1024 x 8 (8K) or 2048 x 8 (16K)
- 2-wire Serial Interface
- Schmitt Trigger, Filtered Inputs for Noise Suppression
- Bi-directional Data Transfer Protocol
- 1MHz (3.6V, 2.7V, 2.5V) and 400 kHz (1.7V) Compatibility
- Write Protect Pin for Hardware Data Protection
- 8-byte Page (2K), 16-byte Page (4K, 8K, 16K) Write Modes
- Partial Page Writes are Allowed
- Self-timed Write Cycle (5 ms max)
- High-reliability
 - Endurance: 1,000,000 Write Cycles
 - Data Retention: 100 Years
- PDIP8 Package (RoHS Compliant)
- SOP8, TSSOP8, TDFN8, TSOT23-5L Packages (RoHS Compliant and Halogen-free)
- Wafer Sales: available in Wafer Form

Packaging Type



Absolute Maximum Ratings

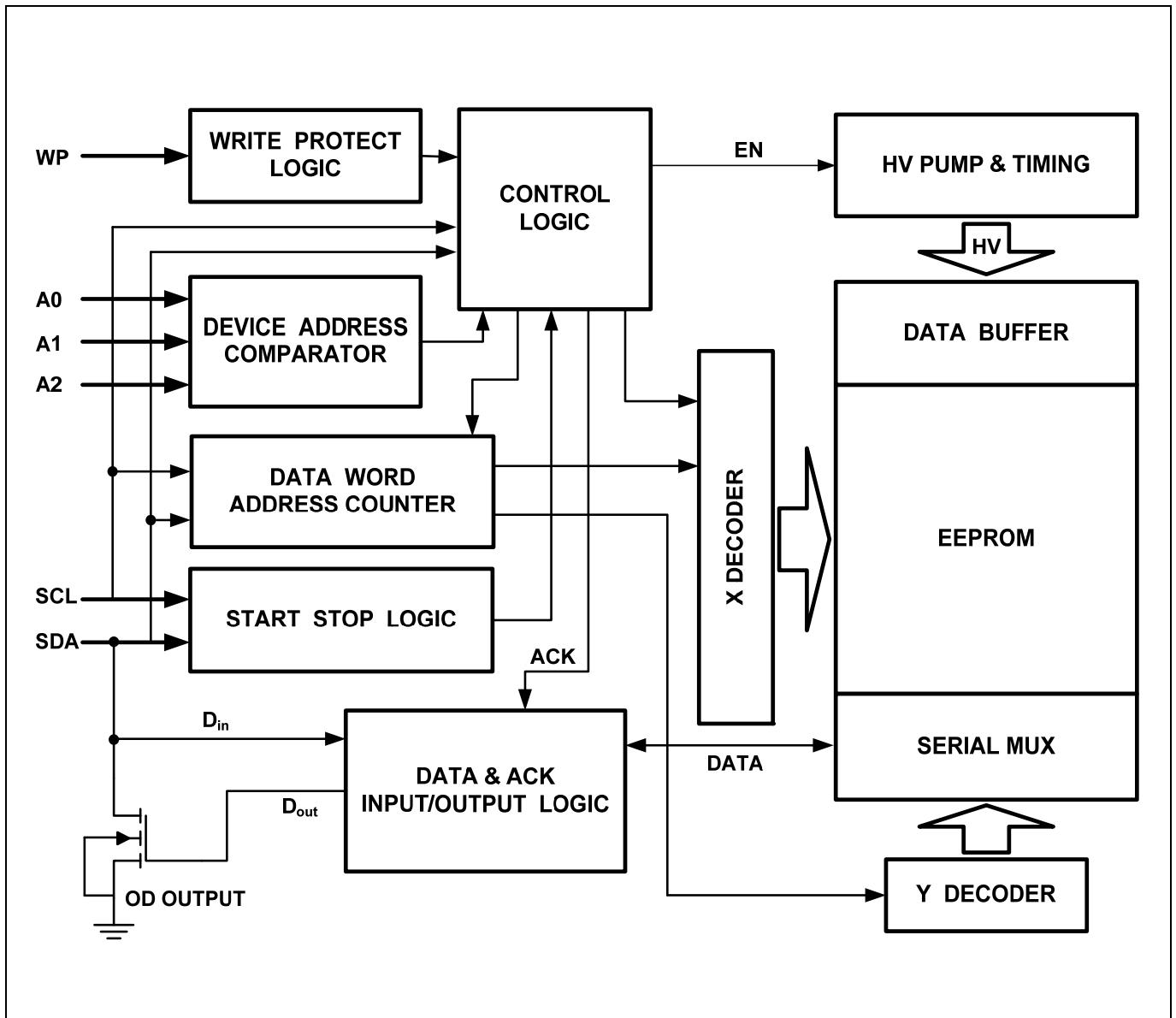
Operating Temperature	-55°C to +125°C
Storage Temperature	-65°C to +150°C
Voltage on Any Pin with Respect to Ground	-1.0V to +7.0V
Maximum Operating Voltage	6.25V
DC Output Current	5.0 mA

*NOTICE: Stresses beyond those listed under "Absolute Maximum Ratings" may cause permanent damage to the device. This is a stress rating only and functional operation of the device at these or any other conditions beyond those indicated in the operational sections of this specification are not implied. Exposure to absolute maximum rating conditions for extended periods may affect device reliability.

Pin Configurations

Pin Name	Function
A0~A2	Device Address Inputs
SDA	Serial Data Input/Output
SCL	Serial Clock Input
WP	Write Protect
V _{CC}	Power Supply
GND	Ground

Figure 1. Block Diagram



Pin Description

SERIAL CLOCK (SCL): The SCL input is used to positive edge clock data into each EEPROM device and negative edge clock data out of each device.

SERIAL DATA (SDA): The SDA pin is bi-directional for serial data transfer. This pin is open-drain driven and may be wire-ORed with any number of other open-drain or open-collector devices.

DEVICE/PAGE ADDRESSES (A2, A1, A0): The A2, A1 and A0 pins are device address inputs that are hard wired for the FM24C02B. As many as eight 2K devices may be addressed on a single bus system (device addressing is discussed in detail under the Device Addressing section).

The FM24C04B only uses the A2, A1 input for hardwire addressing and a total of four 4K devices may be addressed on a single bus system. The A0 pins are no connects.

The FM24C08B only uses the A2 input for hardwire addressing and a total of two 8K devices may be addressed on a single bus system. The A0 and A1 pins are no connects.

The FM24C16B does not use the device address pins, which limits the number of devices on a single bus to one. The A0, A1 and A2 pins are no connects.

WRITE PROTECT (WP): The FM24C02B/04B/08B/16B has a Write Protect pin that provides hardware data protection. The Write Protect pin allows normal read/write operations when connected to ground (GND). When the Write Protect pin is connected to V_{CC} , the write protection feature is enabled.

Write Protect Description

WP Pin Status	Part of the Array Protected			
	FM24C02B	FM 24C04B	FM 24C08B	FM 24C16B
WP= V_{CC}	Full (2K) Array	Full (4K) Array	Full (8K) Array	Full (16K) Array
WP=GND	Normal Read/Write Operations			

Memory Organization

FM24C02B, 2K SERIAL EEPROM: Internally organized with 32 pages of 8 bytes each, the 2K requires an 8-bit data word address for random word addressing.

FM24C04B, 4K SERIAL EEPROM: Internally organized with 32 pages of 16 bytes each, the 4K requires a 9-bit data word address for random word addressing.

FM24C08B, 8K SERIAL EEPROM: Internally organized with 64 pages of 16 bytes each, the 8K requires a 10-bit data word address for random word addressing.

FM24C16B, 16K SERIAL EEPROM: Internally organized with 128 pages of 16 bytes each, the 16K requires an 11-bit data word address for random word addressing.

Pin Capacitance

Symbol	Parameter	Test Condition	Max	Units
$C_{IN}^{(1)}$	Input Capacitance	$V_{IN} = 0V, f = 1 \text{ MHz}$	6	pF
$C_{OUT}^{(1)}$	Output Capacitance	$V_{OUT} = 0V, f = 1 \text{ MHz}$	8	pF

Note: 1. This parameter is characterized and is not 100% tested.

DC Characteristics

Applicable over recommended operating range from: $T_A = -40^\circ\text{C}$ to $+85^\circ\text{C}$, $V_{CC} = +1.7V$ to $+3.6V$, (unless otherwise noted).

Symbol	Parameter	Test Condition	Min	Typ	Max	Units
V_{CC}	Supply Voltage		1.7		3.6	V
I_{CC1}	Supply Current	$V_{CC} = 3.6V$, Read at 400K		0.4	1.0	mA
I_{CC2}	Supply Current	$V_{CC} = 3.6V$, Write at 400K		2.0	3.0	mA
I_{SB1}	Standby Current	$V_{CC} = 1.7V, V_{IN} = V_{CC}/V_{SS}$			1.0	μA
I_{SB2}	Standby Current	$V_{CC} = 3.6V, V_{IN} = V_{CC}/V_{SS}$			3.0	μA
I_{LI}	Input Leakage Current	$V_{IN} = V_{CC}/V_{SS}$		0.10	3.0	μA
I_{LO}	Output Leakage Current	$V_{OUT} = V_{CC}/V_{SS}$		0.05	3.0	μA
V_{IL}^1	Input Low Level		-0.6		$V_{CC} \times 0.3$	V
V_{IH}^1	Input High Level		$V_{CC} \times 0.7$		5.5	V
V_{OL2}	Output Low Level	$V_{CC} = 3.0V, I_{OL} = 2.1 \text{ mA}$			0.4	V
V_{OL1}	Output Low Level	$V_{CC} = 1.7V, I_{OL} = 0.15 \text{ mA}$			0.2	V

Note: 1. V_{IL} min and V_{IH} max are reference only and are not tested.

AC Characteristics

Applicable over recommended operating range from: $T_A = -40^{\circ}\text{C}$ to $+85^{\circ}\text{C}$, $V_{CC} = +1.7\text{V}$ to $+3.6\text{V}$, $CL = 100\text{ pF}$ (unless otherwise noted). Test conditions are listed in Note 2.

Symbol	Parameter	1.7-volt		2.5-volt		3.6-volt		Units
		Min	Max	Min	Max	Min	Max	
f_{SCL}	Clock Frequency, SCL		400		1000		1000	kHz
t_{LOW}	Clock Pulse Width Low	1.3		0.4		0.4		μs
t_{HIGH}	Clock Pulse Width High	0.6		0.4		0.4		μs
t_{AA}	Clock Low to Data Out Valid	0.05	0.9	0.05	0.55	0.05	0.55	μs
t_{BUF}^1	Time the bus must be free before a new transmission can Start	1.2		0.5		0.5		μs
$t_{HD,STA}$	Start Hold Time	0.6		0.25		0.25		μs
$t_{SU,STA}$	Start Setup Time	0.6		0.25		0.25		μs
$t_{HD,DAT}$	Data In Hold Time	0		0		0		μs
$t_{SU,DAT}$	Data In Setup Time	100		100		100		ns
t_R	Inputs Rise Time		0.3		0.3		0.3	μs
t_F	Inputs Fall Time		300		100		100	ns
$t_{SU,STO}$	Stop Setup Time	0.6		0.25		0.25		μs
t_{DH}	Data Out Hold Time	50		50		50		ns
t_{WR}	Write Cycle Time		5		5		5	ms
Endurance ¹	3.3V, 25°C, Page Mode	1,000,000						Write Cycles

Notes: 1. This parameter is characterized and is not 100% tested.

2. AC measurement conditions:

RL (connects to V_{CC}): 1.3 k Ω

Input pulse voltages: 0.3 V_{CC} to 0.7 V_{CC}

Input rise and fall times: $\leq 50\text{ ns}$

Input and output timing reference voltages: 0.5 V_{CC}

Device Operation

CLOCK and DATA TRANSITIONS: The SDA pin is normally pulled high with an external device. Data on the SDA pin may change only during SCL low time periods (refer to Figure 4). Data changes during SCL high periods will indicate a start or stop condition as defined below.

START CONDITION: A high-to-low transition of SDA with SCL high is a start condition which must precede any other command (refer to Figure 5).

STOP CONDITION: A low-to-high transition of SDA with SCL high is a stop condition. After a read sequence, the stop command will place the EEPROM in a standby power mode (refer to Figure 5).

ACKNOWLEDGE: All addresses and data words are serially transmitted to and from the EEPROM in 8-bit words. The EEPROM sends a zero to acknowledge that it has received each word. This happens during the ninth clock cycle. Following receipt each

word from the EEPROM, the microcontroller should send a zero to EEPROM and continue to output the next data word or send a stop condition to finish the read cycle.

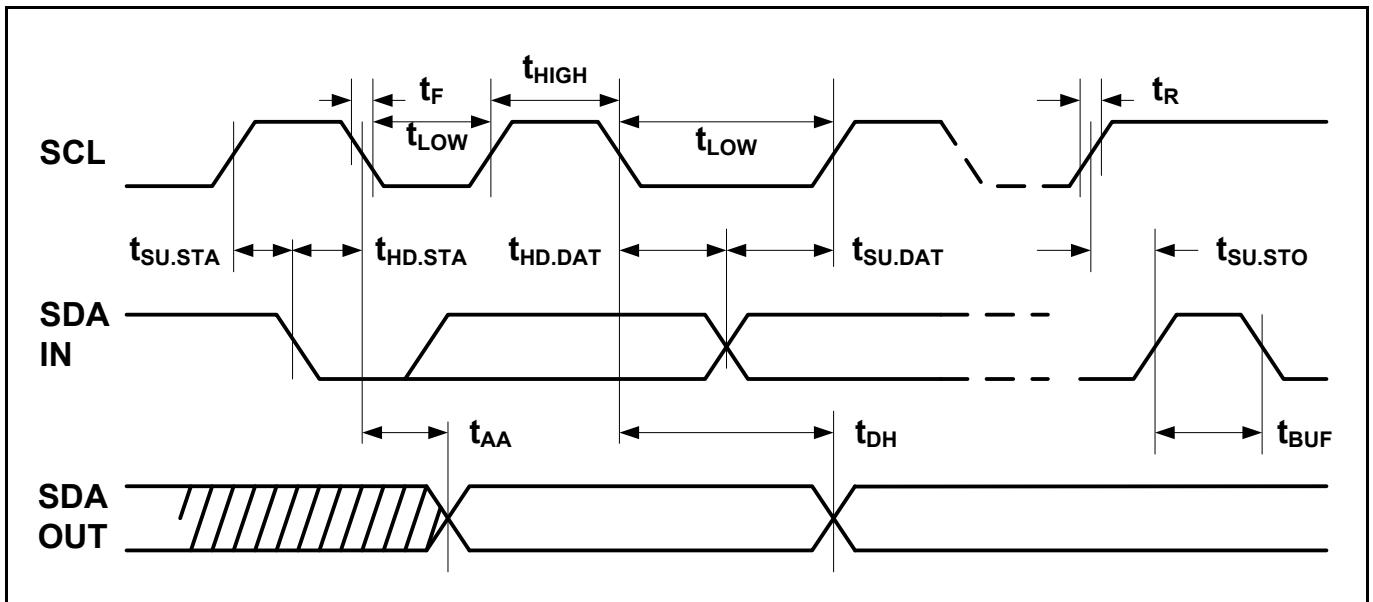
STANDBY MODE: The FM24C02B/04B/08B/16B features a low-power standby mode which is enabled: (a) upon power-up and (b) after the receipt of the stop bit and the completion of any internal operations.

DEVICE RESET: After an interruption in protocol, power loss or system reset, any 2-wire part can be reset in following these steps:

1. Clock up to 9 Cycles,
2. Look for SDA high in each cycle while SCL is high and then,
3. Create a start condition as SDA is high.

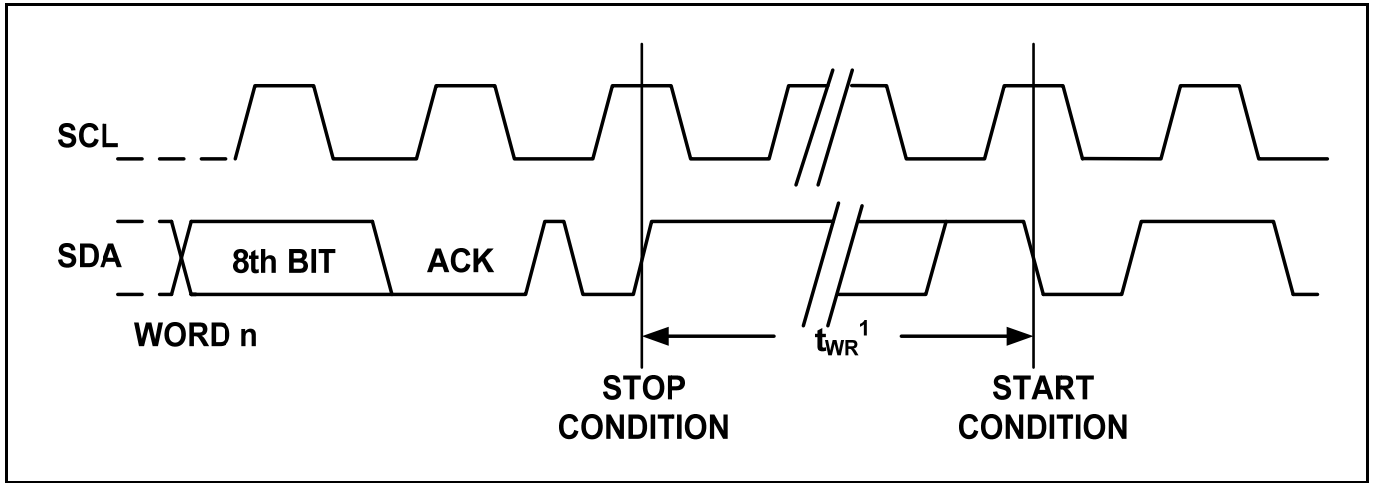
Bus Timing

Figure 2. SCL: Serial Clock, SDA: Serial Data I/O



Write Cycle Timing

Figure 3. SCL: Serial Clock, SDA: Serial Data I/O



Note: 1. The write cycle time t_{WR} is the time from a valid stop condition of a write sequence to the end of the internal clear/write cycle.

Figure 4. Data Validity

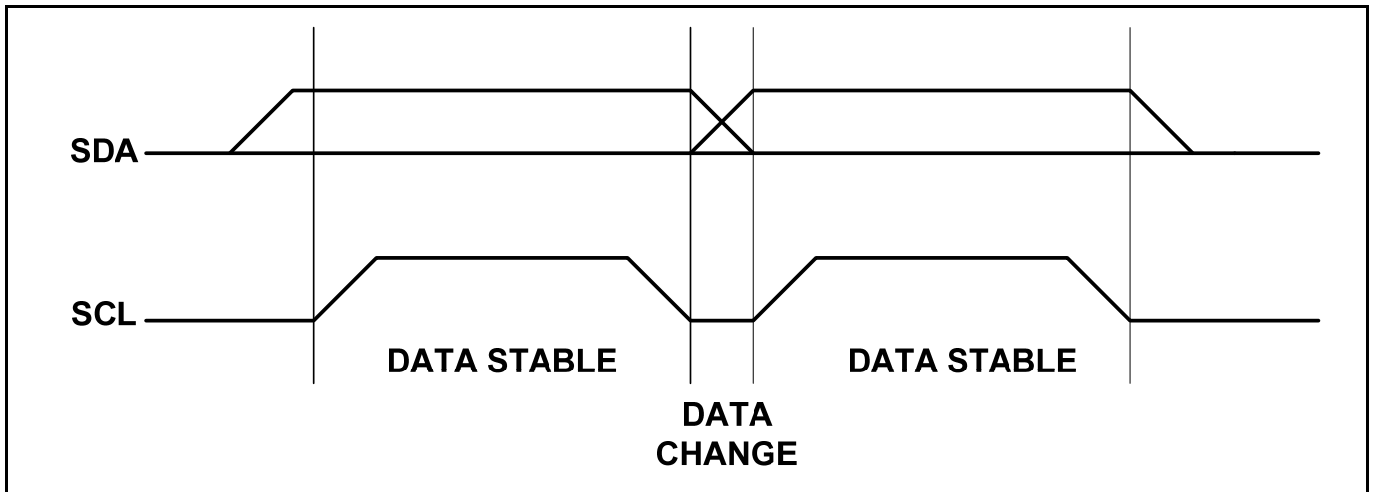


Figure 5. Start and Stop Definition

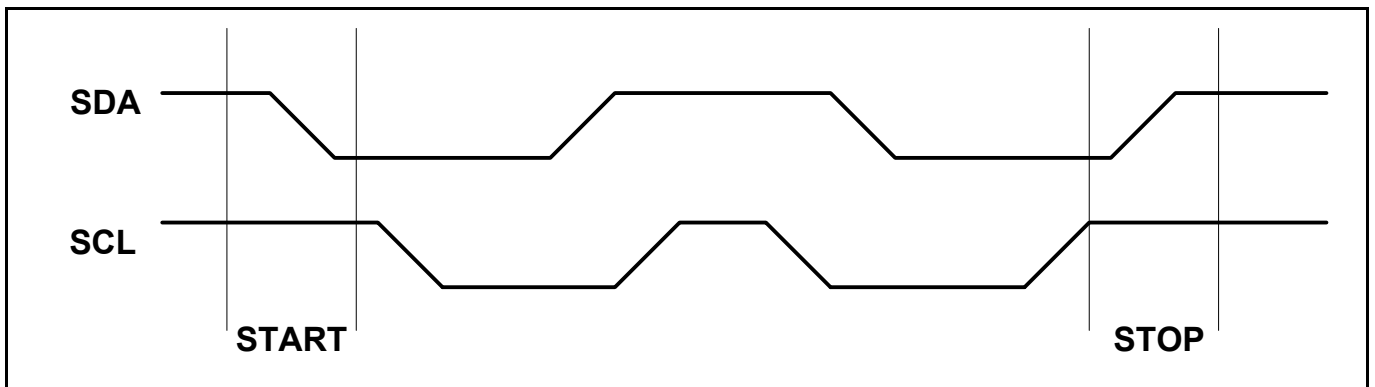
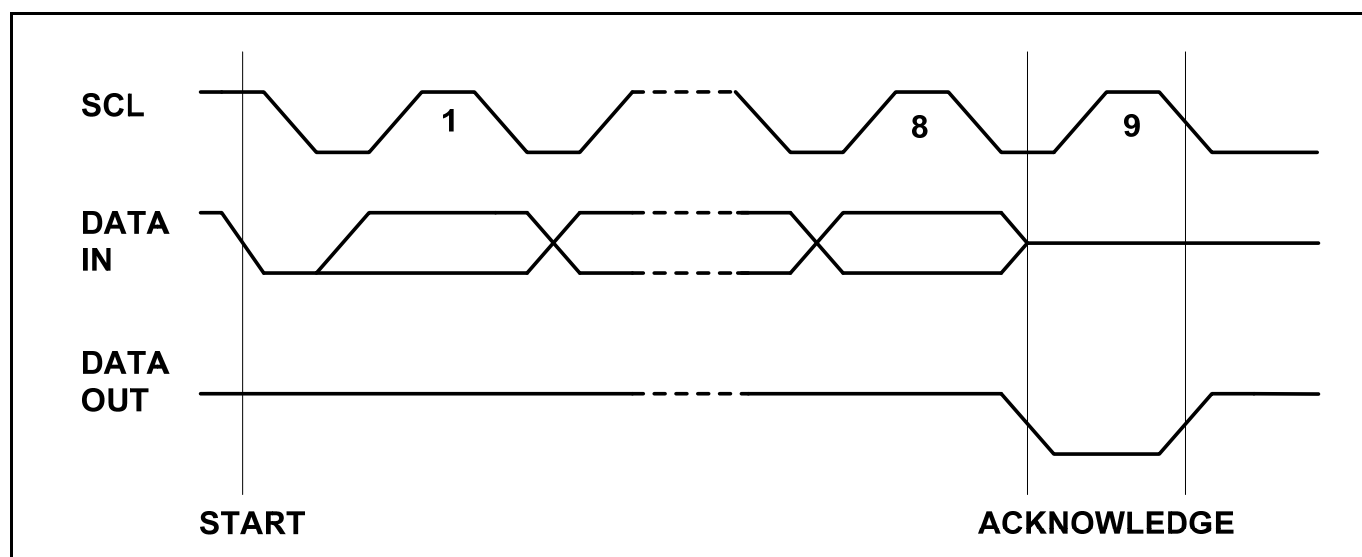


Figure 6. Output Acknowledge



Device Addressing

The 2K, 4K, 8K and 16K EEPROM device requires an 8-bit device address word following a start condition to enable the chip for a read or write operation (refer to Figure 7).

The device address word consists of a mandatory one, zero sequence for the first four most significant bits as shown. This is common to all the EEPROM devices.

The next 3 bits are the A2, A1 and A0 device address bits for the 2K EEPROM. These 3 bits must compare to their corresponding hard-wired input pins (The A2, A1 and A0 device address bits are "0" for the 2K EEPROM of TSOT23-5L package).

The 4K EEPROM only uses the A2, A1 for device addressing. The third bit is a memory page address bit. The A2, A1 bit must compare to its corresponding hard-wired input pin. The A0 pin is no connecting.

The 8K EEPROM only uses the A2 device address bit with the next 2 bits being for memory page

addressing. The A2 bit must compare to its corresponding hard-wired input pin. The A1 and A0 pins are no connecting.

The 16K does not use any device address bits but instead the 3 bits are used for memory page addressing. These page addressing bits on the 4K, 8K and 16K devices should be considered the most significant bits of the data word address which follows. The A0, A1 and A2 pins are no connecting.

The eighth bit of the device address is the read/write operation select bit. A read operation is initiated if this bit is high and a write operation is initiated if this bit is low.

Upon a compare of the device address, the EEPROM will output a zero. If a compare is not made, the chip will return to a standby state.

Write Operations

BYTE WRITE: A write operation requires an 8-bit data word address following the device address word and acknowledgment. Upon receipt of this address, the EEPROM will again respond with a zero and then clock in the first 8-bit data word. Following receipt of the 8-bit data word, the EEPROM will output a zero and the addressing device, such as a microcontroller, must terminate the write sequence with a stop condition. At this time the EEPROM enters an internally timed write cycle, t_{WR} , to the nonvolatile memory. All inputs are disabled during this write cycle and the EEPROM will not respond until the write is complete (refer to Figure 8).

PAGE WRITE: The 2K EEPROM is capable of an 8-byte page write, and the 4K, 8K and 16K devices are capable of 16-byte page writes.

A page write is initiated the same as a byte write, but the microcontroller does not send a stop condition after the first data word is clocked in. Instead, after the EEPROM acknowledges receipt of the first data word, the microcontroller can transmit up to seven (2K) or fifteen (4K, 8K, 16K) more data words. The EEPROM will respond with a zero after each data word received. The microcontroller must terminate the page write sequence with a stop condition (refer to Figure 9).

The data word address lower three (2K) or four (4K, 8K, 16K) bits are internally incremented following the receipt of each data word. The higher data word address bits are not incremented, retaining the memory page row location. When the word address, internally generated, reaches the page boundary, the following byte is placed at the beginning of the same page. If more than eight (2K) or sixteen (4K, 8K, 16K) data words are transmitted to the EEPROM, the data word address will “roll over” and previous data will be overwritten.

ACKNOWLEDGE POLLING: Once the internally timed write cycle has started and the EEPROM inputs are disabled, acknowledge polling can be initiated. This involves sending a start condition followed by the device address word. The read/write bit is representative of the operation desired. Only if the internal write cycle has completed will the EEPROM respond with a zero allowing the read or write sequence to continue.

Read Operations

Read operations are initiated the same way as write operations with the exception that the read/write select bit in the device address word is set to one. There are three read operations: current address read, random address read and sequential read.

CURRENT ADDRESS READ: The internal data word address counter maintains the last address accessed during the last read or write operation, incremented by one. This address stays valid between operations as long as the chip power is maintained. The address “roll over” during read is from the last byte of the last memory page to the first byte of the first page. The address “roll over” during write is from the last byte of the current page to the first byte of the same page.

Once the device address with the read/write select bit set to one is clocked in and acknowledged by the EEPROM, the current address data word is serially clocked out. The microcontroller does not respond with an input zero but does generate a following stop condition (refer to Figure 10).

RANDOM READ: A random read requires a “dummy” byte write sequence to load in the data word address. Once the device address word and data word address are clocked in and acknowledged by the EEPROM, the microcontroller must generate another start condition. The microcontroller now initiates a current address read by sending a device address with the read/write select bit high. The EEPROM acknowledges the device address and serially clocks out the data word. The microcontroller does not respond with a zero but does generate a following stop condition (refer to Figure 11).

SEQUENTIAL READ: Sequential reads are initiated by either a current address read or a random address read. After the microcontroller receives a data word, it responds with an acknowledge. As long as the EEPROM receives an acknowledge, it will continue to increment the data word address and serially clock out sequential data words. When the memory address limit (2K, 8K, 16K) is reached, the data word address will “roll over” and the sequential read will continue. The sequential read operation is terminated when the microcontroller does not respond with a zero but does generate a following stop condition (refer to Figure 12)

Figure 7. Device Address

2K	1	0	1	0	A ₂	A ₁	A ₀	R/W
	MSB				LSB			
4K	1	0	1	0	A ₂	A ₁	P ₀	R/W
8K	1	0	1	0	A ₂	P ₁	P ₀	R/W
16K	1	0	1	0	P ₂	P ₁	P ₀	R/W

Figure 8. Byte Write

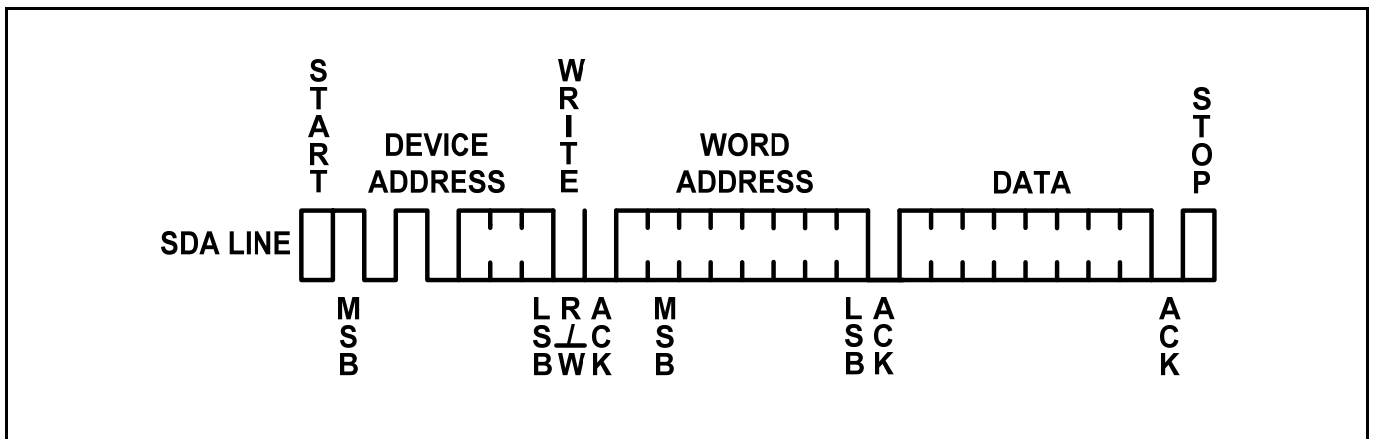


Figure 9. Page Write

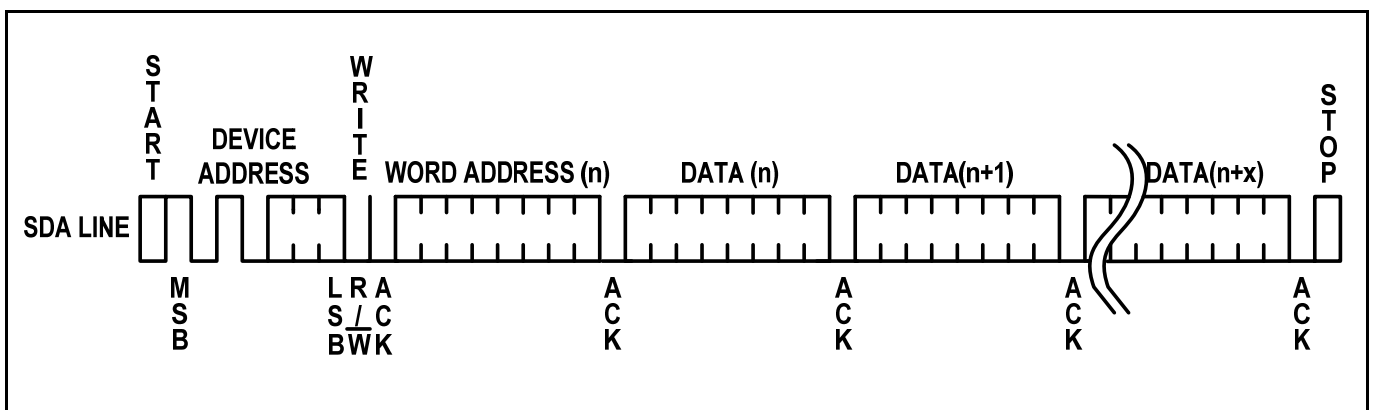


Figure 10. Current Address Read

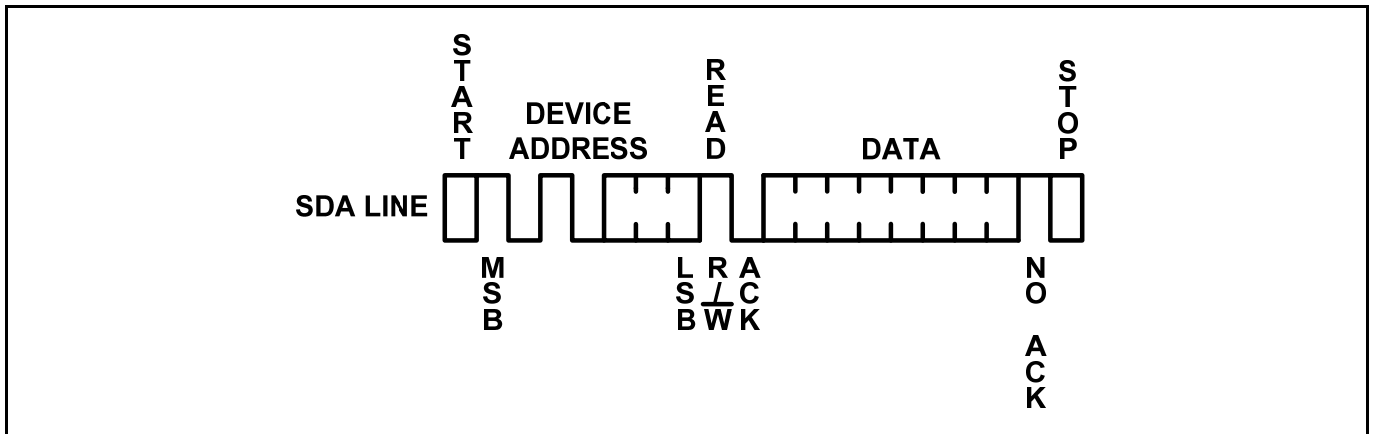


Figure 11. Random Read

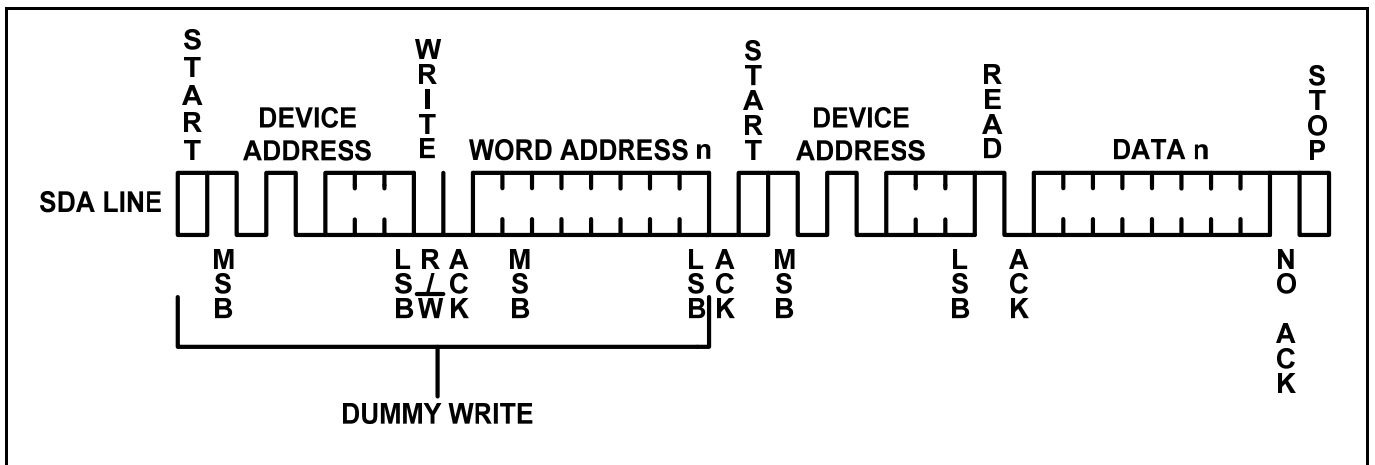
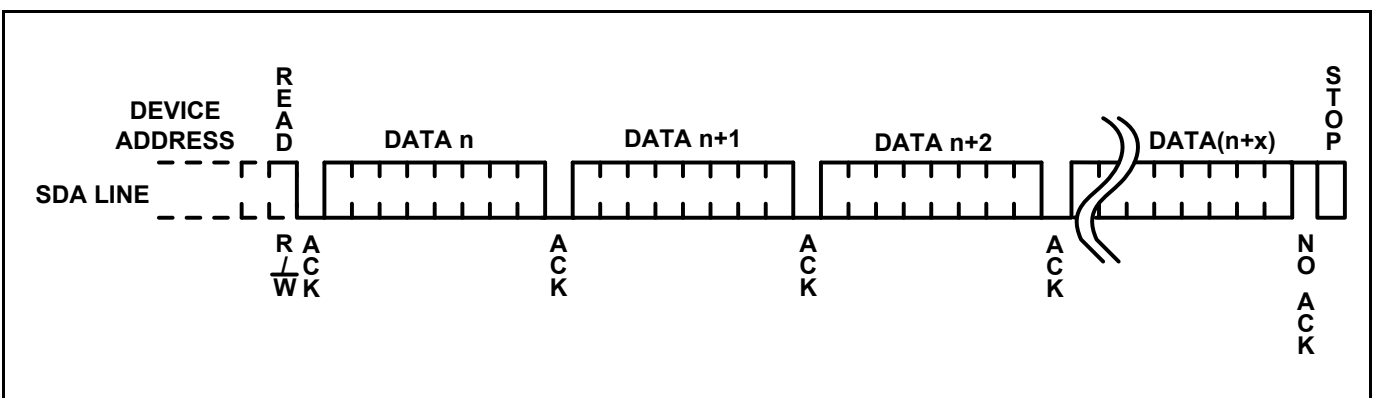


Figure 12. Sequential Read



Ordering Information

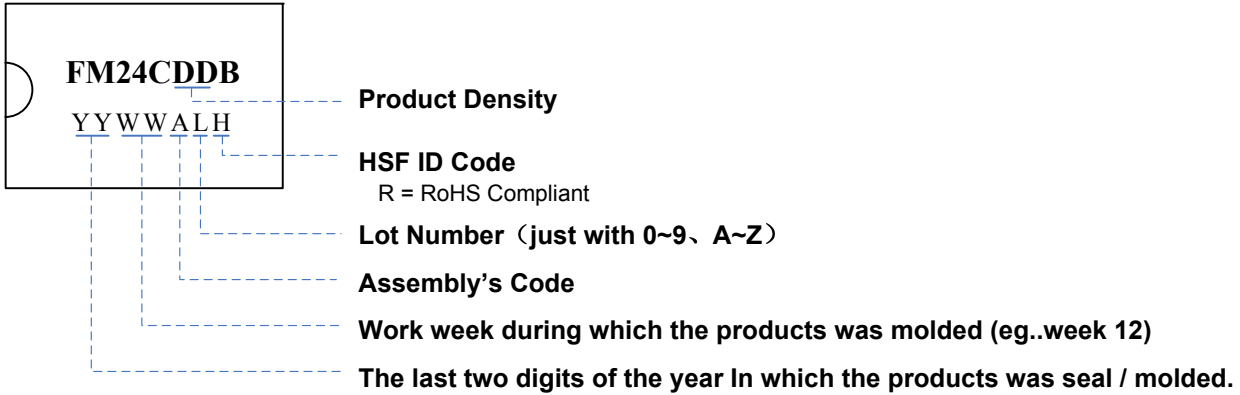
	FM	24C	DD	B	-PP	-C	-H
Company Prefix							
FM = Fudan Microelectronics Group Co.,Ltd							
Product Family							
24C = 2-Wire Serial EEPROM							
Product Density							
02 = 2K-bit 04 = 4K-bit 08 = 8K-bit 16 = 16K-bit							
Supply Voltage							
B = 1.7V to 3.6V							
Package Type ⁽¹⁾							
PD = 8-pin PDIP SO = 8-pin SOP TS = 8-pin TSSOP DN = 8-pin TDFN ST = 5-pin TSOT23							
Product Carrier							
U = Tube T = Tape and Reel							
HSF ID Code ⁽²⁾							
R = RoHS Compliant G = RoHS Compliant, Halogen-free, Antimony-free							

Note:

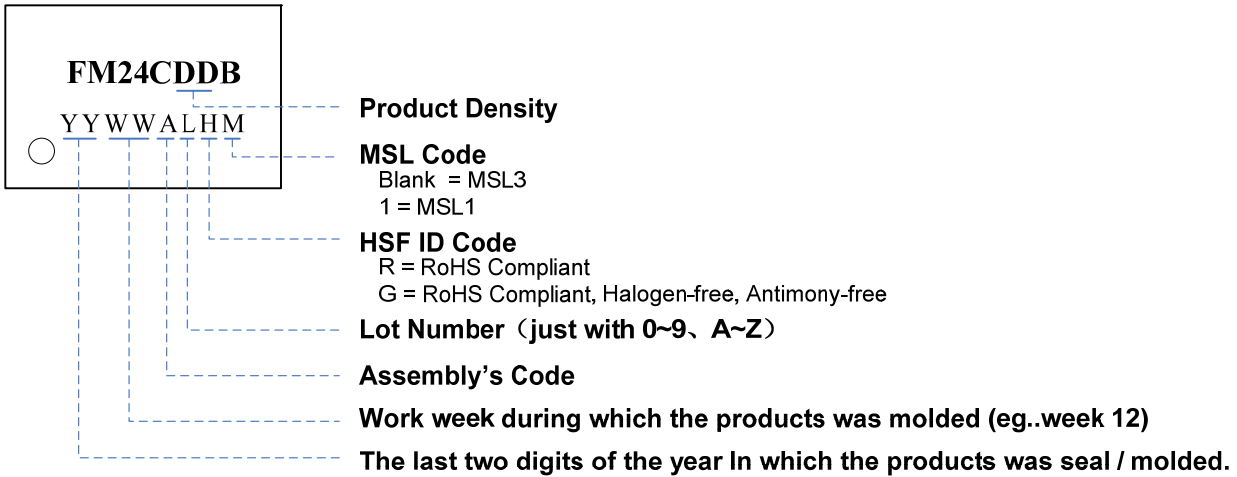
- For SO, TS, DN package, MSL1 package are available, for detail please contact local sales office.
- For PD package: R class offer only
For SO, TS, DN and ST package: G class offer only.

Part Marking Scheme

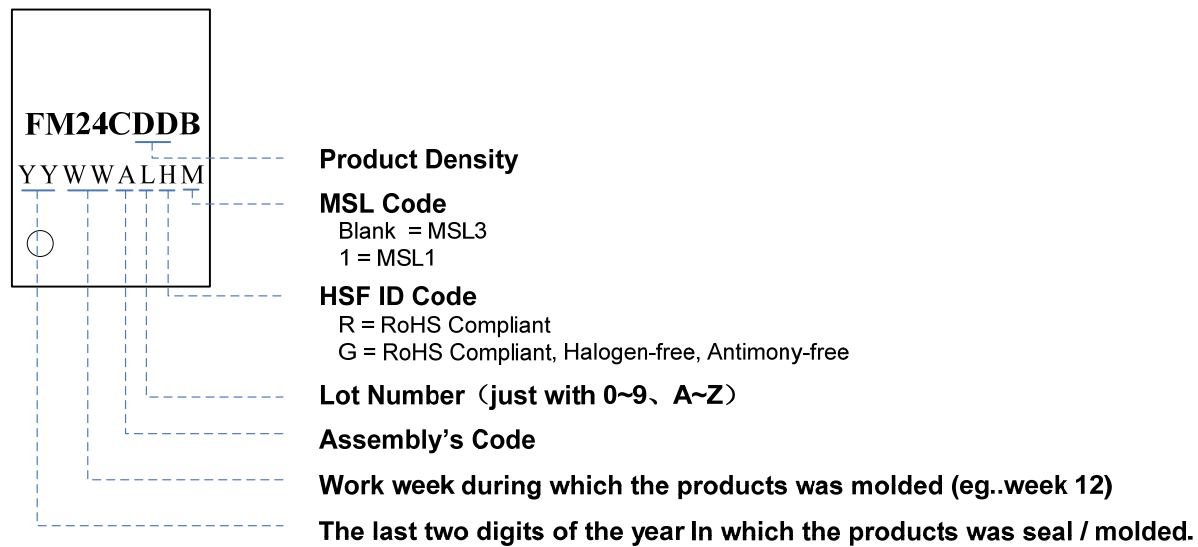
PDIP8



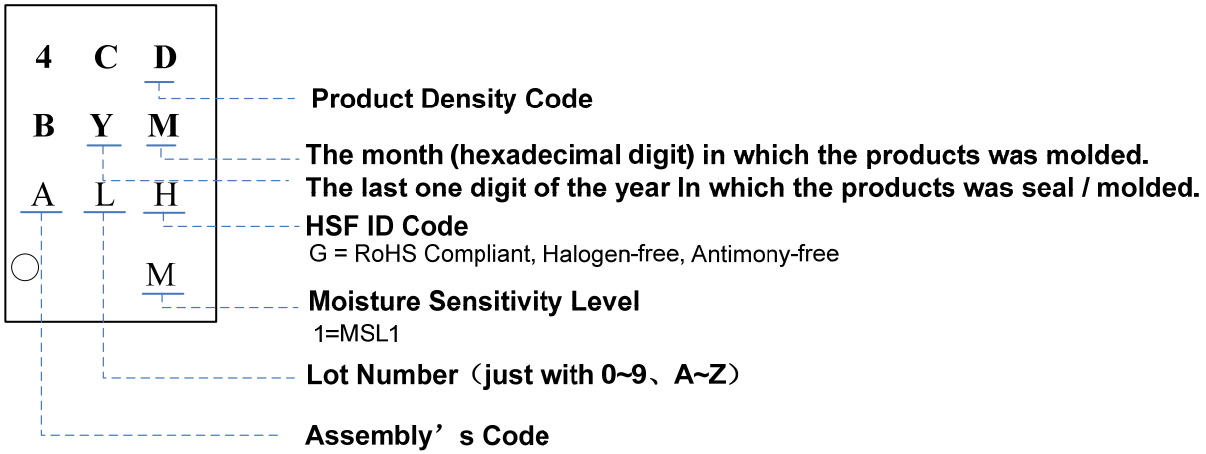
SOP8



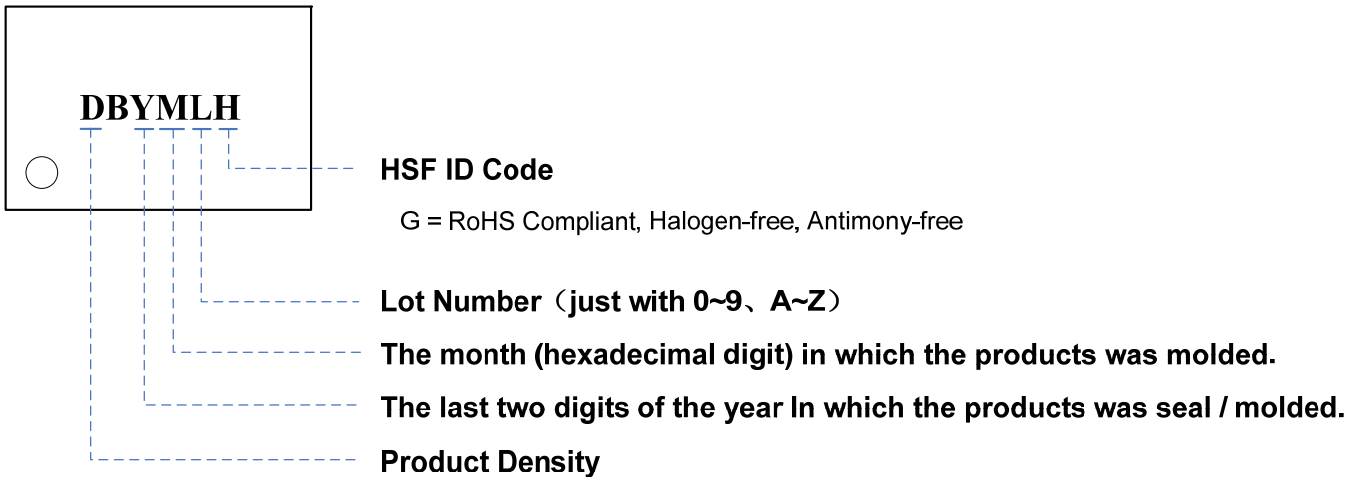
TSSOP8



TDFN8

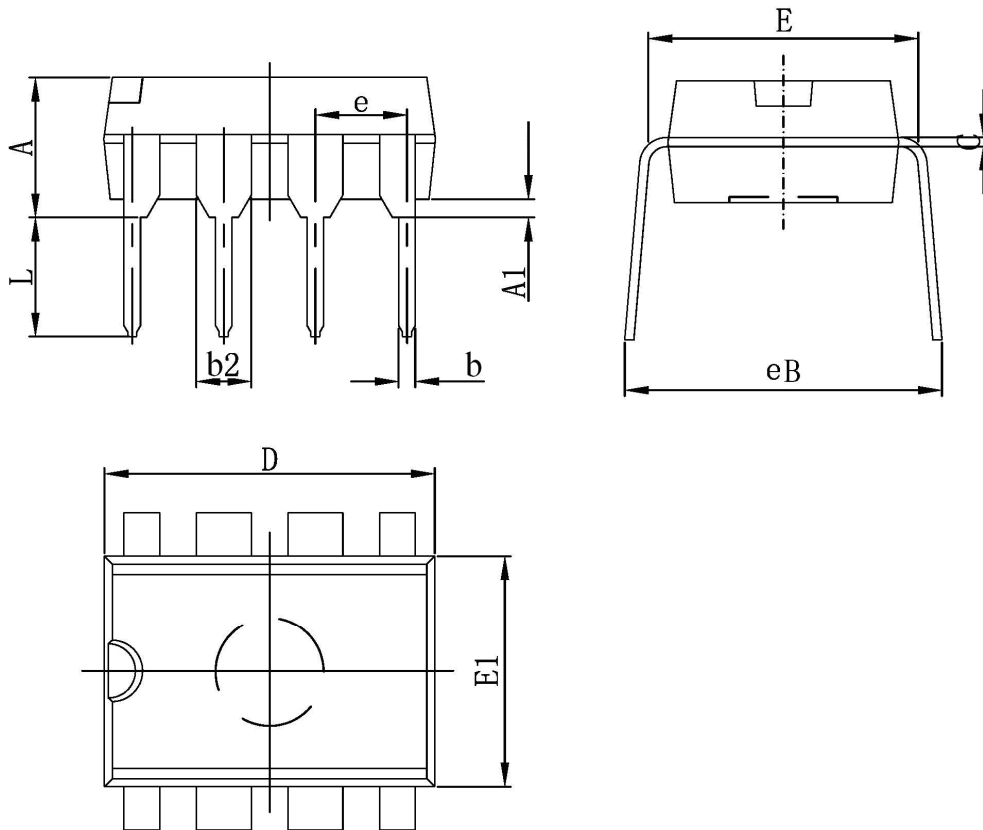


TSOT23-5L



Packaging Information

PDIP 8

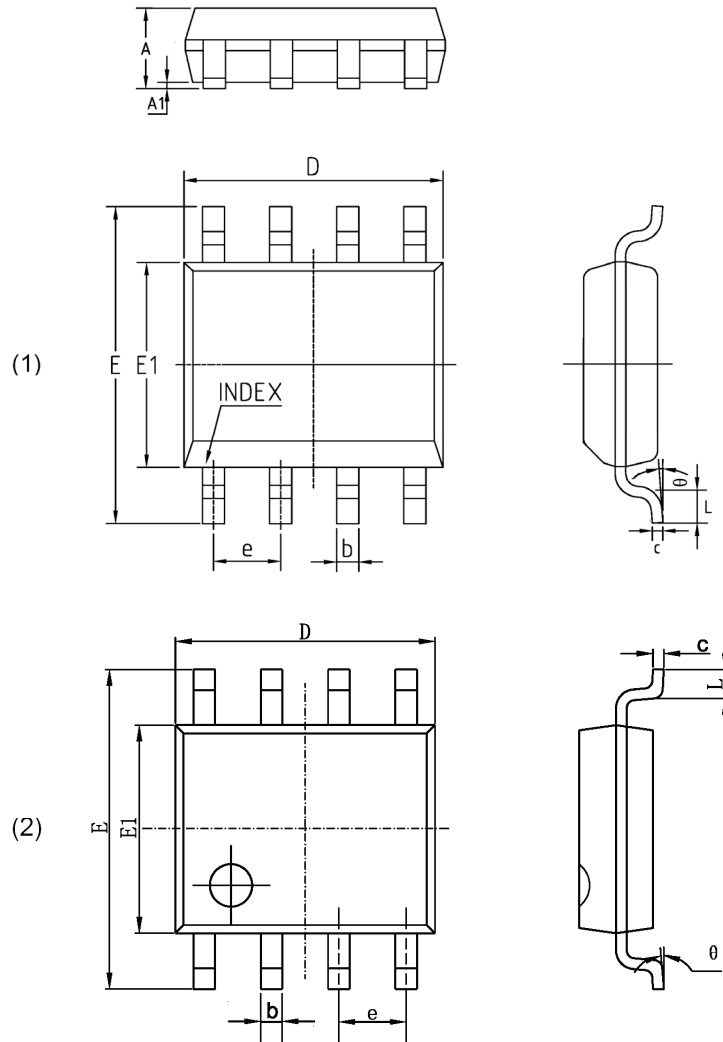


Symbol	MIN	MAX
A	---	5.000
A1	0.380	---
b	0.380	0.570
b2	1.300	1.700
C	0.200	0.360
D	9.000	10.000
E1	6.100	7.000
E	7.320	8.250
e	2.540(BSC)	
L	2.920	3.810
eB	---	10.900

NOTE:

1. Dimensions are in Millimeters.

SOP 8

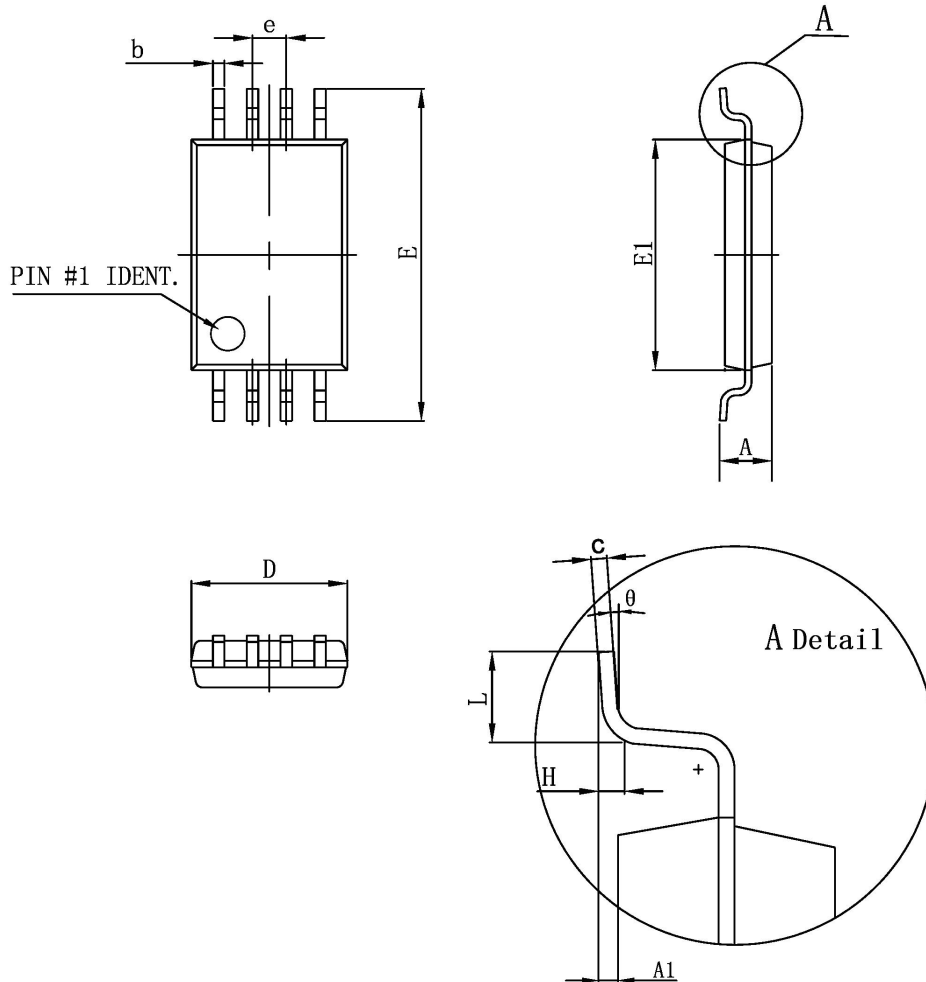


Symbol	MIN	MAX
A	1.350	1.750
A1	0.050	0.250
b	0.330	0.510
c	0.150	0.250
D	4.700	5.150
E1	3.800	4.000
E	5.800	6.200
e	1.270(BSC)	
L	0.400	1.270
θ	0°	8°

NOTE:

1. Dimensions are in Millimeters.

TSSOP8

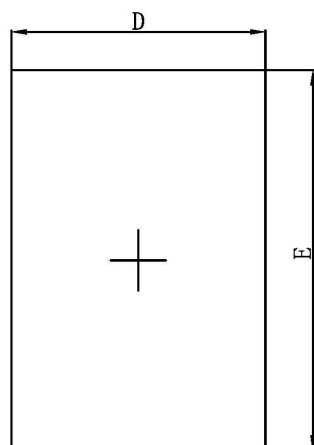


Symbol	MIN	MAX
D	2.900	3.100
E1	4.300	4.500
b	0.190	0.300
c	0.090	0.200
E	6.250	6.550
A		1.200
A1	0.050	0.150
e	0.650 (BSC)	
L	0.450	0.750
θ	0°	8°

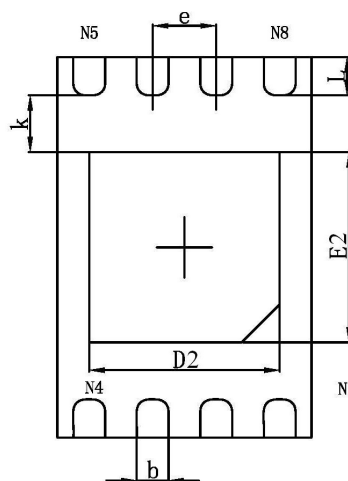
NOTE:

1. Dimensions are in Millimeters.

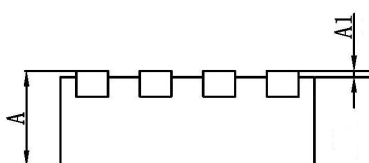
TDFN8



Top View



Bottom View



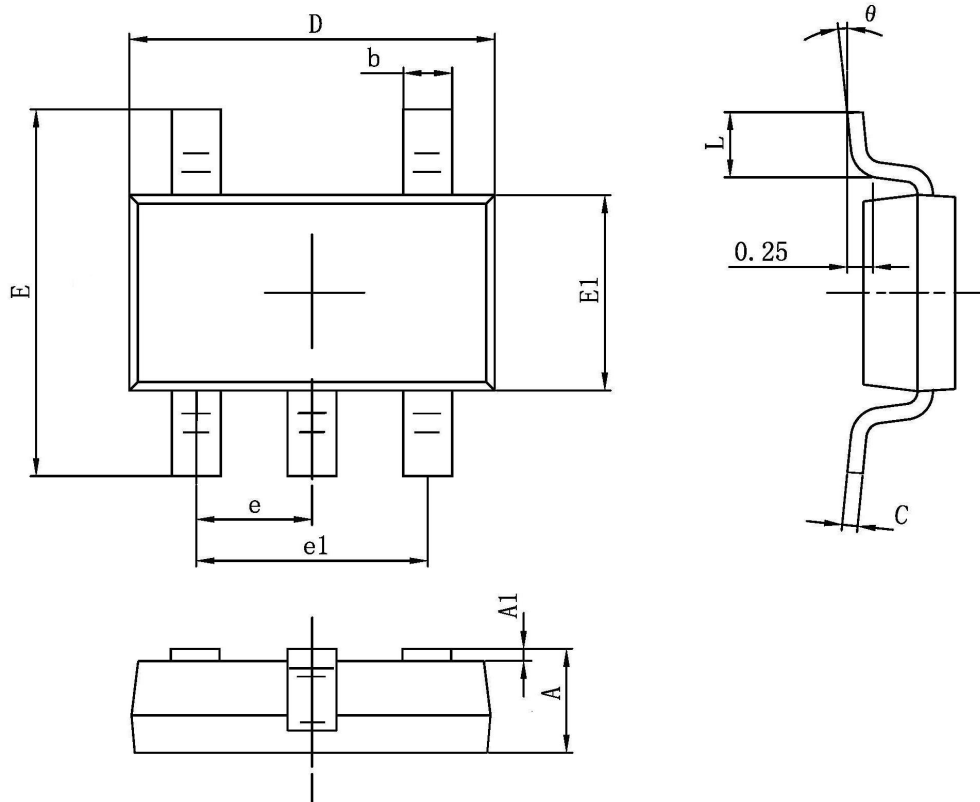
Side View

Symbol	MIN	MAX
A	0.700	0.800
A1	0.000	0.050
D	1.900	2.100
E	2.900	3.100
D2	1.400	1.600
E2	1.400	1.600
k	0.200(MIN)	
b	0.200	0.300
e	0.500(TYP)	
L	0.200	0.400

NOTE:

1. Dimensions are in Millimeters.

TSOT23-5L



Symbol	MIN	MAX
A	0.700	0.900
A1	0.000	0.100
b	0.350	0.500
c	0.080	0.200
D	2.820	3.020
E1	1.600	1.700
E	2.650	2.950
e	0.950(BSC)	
e1	1.900(BSC)	
L	0.300	0.600
θ	0°	8°

NOTE:

1. Dimensions are in Millimeters.

Revision History

Version	Publication date	Pages	Paragraph or Illustration	Revise Description
	Jun. 2007	19		Preliminary
1.0	Mar. 2008	19		First release.
1.1	May. 2008	19	“Sales and service”	Updated the address of HK office.
1.2	Aug. 2008	21	“Features” “Packaging Type” “Ordering Information” “Packaging Information”	1. Updated the “features”. 2. Added the packaging type of “SOT23-5” and “TDFN8”. 3. Added the ordering information of “SOT23-5” and “TDFN8” package for FM24C02B. 4. Added the package dimensions of “SOT23-5” and “TDFN8”.
1.3	Sep. 2008	21	“Packaging Information”	1. Updated the package dimensions of “TDFN8”.
1.4	Feb. 2009	23	“Feature” “Ordering Information” “Part Marking Scheme” “Sales and service”	1. Added the information of Halogen-free 2. Updated the “Ordering Information” 3. Added the “Part Marking Scheme” 4. Updated the address of Beijing office.
1.5	Apr. 2009	23	“Ordering Information” “Part Marking Scheme” “Packaging Information”	1. Updated the description for SOT23-5 package
1.6	Apr. 2009	23	“Packaging Information”	Updated the package dimensions of SOT23-5 package
1.7	Sep. 2009	23	“Packaging Information”	Update the packaging information
1.8	Jan. 2010	23	“Packaging Information”	Update the packaging information
1.9	May. 2011	23	“AC Characteristics” “Part marking scheme” “Packaging Information” “Sales and Service”	1. Updated the “AC Characteristics”. 2. Updated the “Part marking scheme”. 3. Updated the “Packaging Information” 4. Updated the address of Beijing office. 5. The company changed its name to Shanghai Fudan Microelectronics Group Co., Ltd.
2.0	Apr. 2013	23	“Disclaimer” “Ordering information” “Part Marking Scheme” “Packaging Information”	1. Modified the disclaimer. 2. Updated the “Ordering information” 3. Updated the “Part Marking Scheme” 4. Updated the “Packaging Information”



Sales and Service

Shanghai Fudan Microelectronics Group Co., Ltd.

Address: Bldg No. 4, 127 Guotai Rd,
Shanghai City China.

Postcode: 200433

Tel: (86-021) 6565 5050

Fax: (86-021) 6565 9115

Shanghai Fudan Microelectronics (HK) Co., Ltd.

Address: Unit 506, 5/F., East Ocean Centre, 98 Granville
Road, Tsimshatsui East, Kowloon, Hong Kong

Tel: (852) 2116 3288 2116 3338

Fax: (852) 2116 0882

Beijing Office

Address: Room 423, Bldg B, Gehua Building,
1 QingLong Hutong, Dongzhimen Alley north Street,
Dongcheng District, Beijing City, China.

Postcode: 100007

Tel: (86-010) 8418 6608

Fax: (86-010) 8418 6211

Shenzhen Office

Address: Room.1301, Century Bldg, No. 4002, Shengtingyuan
Hotel, Huaqiang Rd (North),
Shenzhen City, China.

Postcode: 518028

Tel: (86-0755) 8335 0911 8335 1011 8335 2011 8335 0611

Fax: (86-0755) 8335 9011

Shanghai Fudan Microelectronics (HK) Ltd Taiwan Representative Office

Address: Unit 1225, 12F., No 252, Sec.1 Neihu Rd.,
Neihu Dist., Taipei City 114, Taiwan

Tel : (886-2) 7721 1889

Fax: (886-2) 7722 3888

Shanghai Fudan Microelectronics (HK) Ltd Singapore Representative Office

Address : 237, Alexandra Road, #07-01 The Alexcier,
Singapore 159929

Tel : (65) 6472 3688

Fax: (65) 6472 3669

Shanghai Fudan Microelectronics Group Co., Ltd NA Office

Address :2490 W. Ray Road Suite#2
Chandler, AZ 85224 USA

Tel : (480) 857-6500 ext 18

Web Site: <http://www.fms.com/>