

TPS54561-Q1 支持 Eco-mode™ 的 4.5V 至 60V 输入，5A，降压 DC-DC 转换器

1 特性

- 汽车电子 应用认证
- 具有符合 AEC-Q100 的下列结果：
 - 器件温度 1 级：-40°C 至 125°C 的环境运行温度范围
 - 器件人体放电模式 (HBM) 静电放电 (ESD) 分类 H1C
 - 器件组件充电模式 (CDM) ESD 分类 C5
- 在具有脉冲跳跃的轻负载下实现高效率 Eco-mode™ 控制
- 87mΩ 高侧金属氧化物半导体场效应晶体管 (MOSFET)
- 152μA 静态工作电流和 2μA 关断电流
- 100kHz 至 2.5MHz 开关频率
- 同步至外部时钟
- 轻负载条件下使用集成型引导 (BOOT) 再充电场效应晶体管 (FET) 可实现低压降操作
- 可调 UVLO 电压和滞后
- 针对欠压及过压的电源正常状态输出监控
- 可调软启动和定序
- 0.8V 1% 内部电压基准
- 带散热焊盘的 10 引脚晶圆级小外形无引线 (WSON) 封装
- T_J 运行范围为 -40°C 至 150°C
- 使用 TPS54561-Q1 并借助 [WEBENCH Power Designer](#) 创建定制设计方案

2 应用范围

- 车辆附件：全球卫星定位 (GPS) (请参见 [SLVA412](#))，娱乐系统
- USB 专用充电端口和电池充电器 (请参见 [SLVA464](#))
- 12V 和 24V 车载电源系统

3 说明

TPS54561-Q1 器件是一款 60V，5A 降压稳压器，具有一个集成的高侧 MOSFET。根据 ISO 7637 标准，该器件可承受高达 65V 的负载突降脉冲。电流模式控制提供了简单的外部补偿和灵活的组件选择。其低纹波脉冲跳跃模式和 152μA 电源电流可在轻负载条件下实现高效率。将使能引脚下拉为低电平可将关断电源电流降至 2μA。

欠压锁定的内部设定为 4.3V。使能 (EN) 引脚使用外部电阻分压器时可增大该设置。软启动引脚控制输出电压启动斜升，还可配置排序或跟踪。一个开漏电源正常信号表示输出处于其标称电压值的 93% 至 106% 之内。

宽范围可调开关频率允许针对效率或者外部组件尺寸进行优化。逐周期电流限制、频率折返和热关断功能可在过载情况下保护器件。

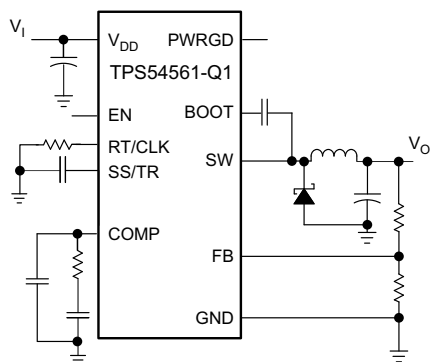
TPS54561-Q1 采用 10 引脚 4mm x 4mm WSON 封装。

器件信息⁽¹⁾

器件型号	封装	封装尺寸 (标称值)
TPS54561-Q1	WSON (10)	4.00mm x 4.00mm

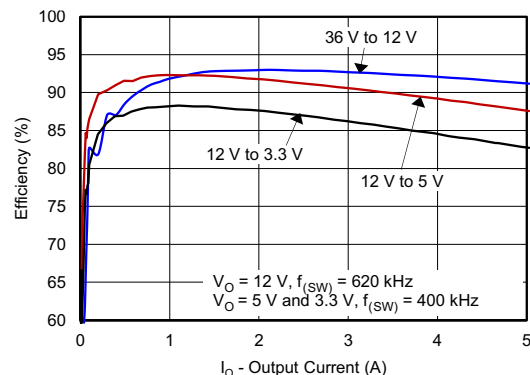
(1) 要了解所有可用封装，请见数据表末尾的可订购产品附录。

简化电路原理图



Copyright © 2016, Texas Instruments Incorporated

效率与负载电流间的关系



目录

1	特性	1	7.4	Device Functional Modes	27
2	应用范围	1	8	Application and Implementation	28
3	说明	1	8.1	Application Information	28
4	修订历史记录	2	8.2	Typical Application	28
5	Pin Configuration and Functions	3	9	Power Supply Recommendations	42
6	Specifications	4	10	Layout	43
6.1	Absolute Maximum Ratings	4	10.1	Layout Guidelines	43
6.2	ESD Ratings	4	10.2	Layout Example	43
6.3	Recommended Operating Conditions	4	11	器件和文档支持	44
6.4	Thermal Information	5	11.1	器件支持	44
6.5	Electrical Characteristics	5	11.2	文档支持	44
6.6	Timing Requirements	6	11.3	接收文档更新通知	44
6.7	Switching Characteristics	6	11.4	社区资源	44
6.8	Typical Characteristics	7	11.5	商标	44
7	Detailed Description	11	11.6	静电放电警告	45
7.1	Overview	11	11.7	Glossary	45
7.2	Functional Block Diagram	12	12	机械、封装和可订购信息	45
7.3	Feature Description	12			

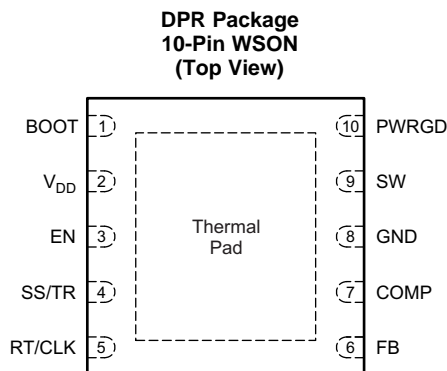
4 修订历史记录

Changes from Original (September 2014) to Revision A

Page

•	已将封装由“SON”更改至“WSON”（位于 特性 和通篇数据表中）	1
•	WEBENCH 信息至特性，详细设计流程和器件支持部分	1
•	Added SW, 5-ns transient to the <i>Absolute Maximum Ratings</i>	4
•	Moved Storage temperature range to the <i>Absolute Maximum Ratings</i>	4
•	Changed the <i>Handling Ratings</i> table to the <i>ESD Ratings</i>	4
•	Changed Equation 10 and Equation 11	19
•	Changed Equation 30	30
•	Changed Equation 33	30
•	Moved <i>Power Dissipation Estimate</i> to the <i>Detailed Design Procedure</i> section	35
•	Moved the location of the <i>Safe Operating Area</i>	37
•	Moved <i>Inverting Power Supply</i> and <i>Split-Rail Power Supply</i> to the <i>Application Information</i> section	41

5 Pin Configuration and Functions



Pin Functions

PIN		I/O	DESCRIPTION
NAME	NO.		
BOOT	1	O	The device requires a bootstrap capacitor between BOOT and SW. If the voltage on this capacitor is below the minimum required voltage to operate the high-side MOSFET, the gate driver switches off until the bootstrap capacitor recharges.
COMP	7	O	Error amplifier output, and input to the output switch-current comparator (PWM comparator). Connect frequency compensation components to this pin.
EN	3	I	Enable pin, with internal pullup current source. Pull below 1.2 V to disable. Float to enable. Adjust the input undervoltage lockout with two resistors. See the Enable and Adjust Undervoltage Lockout section.
FB	6	I	Inverting input of the transconductance (g_m) error amplifier.
GND	8	—	Ground
PWRGD	10	O	Power-good is an open-drain output that asserts if the output voltage is low because of thermal shutdown, dropout, overvoltage, or EN shutdown.
RT/CLK	5	I	Resistor timing and external clock. An internal amplifier holds this pin at a fixed voltage when using an external resistor to ground to set the switching frequency. When pulled above the PLL upper threshold, a mode change occurs, and the pin becomes a synchronization input. This change disables the internal amplifier, and the pin is a high-impedance clock input to the internal PLL. Stopping the clocking edges re-enables the internal amplifier, and the operating mode returns to resistor programmed mode.
SS/TR	4	I	Soft-start and tracking input pin. An external capacitor connected to this pin sets the output rise time. A voltage on this pin overrides the internal reference, which allows use of the pin for tracking and sequencing.
SW	9	I	The source of the internal high-side power MOSFET, and switching node of the converter.
V _{DD}	2	I	Input supply pin with 4.5-V to 60-V operating range.
Thermal pad	—	—	To ensure proper operation, electrically connect the GND pin to the copper pad under the IC on the printed circuit board.

6 Specifications

6.1 Absolute Maximum Ratings⁽¹⁾

Over operating free-air temperature range (unless otherwise noted)

		VALUE		UNIT
		MIN	MAX	
Input voltage	V _{DD}	-0.3	65	V
	EN	-0.3	8.4	
	FB	-0.3	3	
	COMP	-0.3	3	
	PWRGD	-0.3	6	
	SS/TR	-0.3	3	
	RT/CLK	-0.3	3.6	
Output voltage	BOOT-SW	-0.3	8	V
	SW	-0.6	65	
	SW, 5-ns transient	-7	65	
	SW, 10-ns transient	-2	65	
Operating junction temperature		-40	150	°C
Storage temperature range, T _{stg}		-65	150	°C

- (1) Stresses beyond those listed under *Absolute Maximum Ratings* may cause permanent damage to the device. These are stress ratings only, and do not imply functional operation of the device at these or any other conditions beyond those indicated under *Recommended Operating Conditions*. Exposure to absolute-maximum-rated conditions for extended periods may affect device reliability.

6.2 ESD Ratings

			VALUE	UNIT
V _(ESD)	Electrostatic discharge	Human-body model (HBM), per AEC Q100-002 ⁽¹⁾	±2000	V
		Charged-device model (CDM), per AEC-Q100-011	±750	

- (1) AEC Q100-002 indicates HBM stressing is done in accordance with the ANSI/ESDA/JEDEC JS-001 specification.

6.3 Recommended Operating Conditions

Over operating free-air temperature range (unless otherwise noted)

		MIN	MAX	UNIT
V _{DD}	Supply input voltage	4.5	60	V
V _O	Output voltage	0.8	58.8	V
I _O	Output current	0	5	A
T _J	Junction temperature	-40	150	°C

6.4 Thermal Information

THERMAL METRIC ⁽¹⁾⁽²⁾		TPS54561-Q1	
		DPR	
		10 PINS	
			UNIT
$R_{\theta JA}$	Junction-to-ambient thermal resistance (standard board)	35.1	°C/W
$R_{\theta JCTop}$	Junction-to-case (top) thermal resistance	34.1	°C/W
$R_{\theta JB}$	Junction-to-board thermal resistance	12.3	°C/W
Ψ_{JT}	Junction-to-top characterization parameter	0.3	°C/W
Ψ_{JB}	Junction-to-board characterization parameter	12.5	°C/W
$R_{\theta JCbott}$	Junction-to-case (bottom) thermal resistance	2.2	°C/W

- (1) For more information about traditional and new thermal metrics, see the [Semiconductor and IC Package Thermal Metrics](#) application report.
- (2) Determination of the power rating at a specific ambient temperature must be at the maximum junction temperature of 150°C. This is the point where distortion starts to increase substantially. See the power dissipation estimate in the [Power Dissipation Estimate](#) section of this data sheet for more information.

6.5 Electrical Characteristics

 $T_J = -40^{\circ}\text{C}$ to 150°C , $V_{DD} = 4.5$ to 60 V (unless otherwise noted)

PARAMETER		TEST CONDITIONS	MIN	TYP	MAX	UNIT
SUPPLY VOLTAGE (V_{DD} PIN)						
Operating input voltage			4.5		60	V
Internal undervoltage lockout threshold		V_{DD} rising	4.1	4.3	4.48	V
Internal undervoltage lockout threshold hysteresis				325		mV
Shutdown supply current		$V_{(EN)} = 0$ V, $T_A = 25^{\circ}\text{C}$, 4.5 V $\leq V_{DD} \leq 60$ V		2.25	4.5	μA
Operating: nonswitching supply current		$V_{(FB)} = 0.9$ V, $T_A = 25^{\circ}\text{C}$		152	200	μA
ENABLE AND UVLO (EN PIN)						
$V_{(EN)th}$ Enable threshold voltage		No voltage hysteresis, rising and falling	1.1	1.2	1.3	V
Input current		Enable threshold + 50 mV		-4.6		μA
		Enable threshold - 50 mV	-0.58	-1.2	-1.8	μA
$I_{(HYS)}$ Hysteresis current			-2.2	-3.4	-4.5	μA
VOLTAGE REFERENCE						
V_{ref} Voltage reference			0.792	0.8	0.808	V
HIGH-SIDE MOSFET						
On-resistance		$V_{DD} = 12$ V, $V_{(BOOT-SW)} = 6$ V		87	185	m Ω
ERROR AMPLIFIER						
Input current				50		nA
$g_{m(ea)}$ Error-amplifier transconductance		-2 $\mu\text{A} < I_{(COMP)} < 2$ μA , $V_{(COMP)} = 1$ V		350		μS
Error-amplifier transconductance (g_m) during soft-start		-2 $\mu\text{A} < I_{(COMP)} < 2$ μA , $V_{(COMP)} = 1$ V, $V_{(FB)} = 0.4$ V		78		μS
$A_{(OL)}$ Error-amplifier open-loop dc gain		$V_{(FB)} = 0.8$ V		10 000		V/V
Minimum unity-gain bandwidth				2500		kHz
Error-amplifier source and sink		$V_{(COMP)} = 1$ V, 100 mV overdrive		± 30		μA
$g_{m(ps)}$ COMP to SW current transconductance				17		S
CURRENT LIMIT						
Current limit threshold		All V_{DD} and temperatures, open loop ⁽¹⁾	6.3	7.5	8.8	A
		All temperatures, $V_{DD} = 12$ V, open loop ⁽¹⁾	6.3	7.5	8.3	
		$V_{DD} = 12$ V, $T_A = 25^{\circ}\text{C}$, open loop ⁽¹⁾	7.1	7.5	7.9	
THERMAL SHUTDOWN						
Thermal shutdown				176		°C
Thermal shutdown hysteresis				12		°C

- (1) Measure open-loop current limit directly at the SW pin. The current is independent of the inductor value and slope compensation.

Electrical Characteristics (continued)

 $T_J = -40^{\circ}\text{C}$ to 150°C , $V_{DD} = 4.5$ to 60 V (unless otherwise noted)

PARAMETER	TEST CONDITIONS	MIN	TYP	MAX	UNIT
EXTERNAL CLOCK (RT/CLK PIN)					
RT/CLK high threshold			1.55	2	V
RT/CLK low threshold		0.5	1.2		V
SOFT-START AND TRACKING (SS/TR PIN)					
$I_{(SS)}$ Charge current	$V_{(SS/TR)} = 0.4$ V		1.7		μA
SS/TR-to-FB matching	$V_{(SS/TR)} = 0.4$ V		42		mV
SS/TR-to-reference crossover	98% of nominal FB voltage		1.16		V
SS/TR discharge current (overload)	$V_{(FB)} = 0$ V, $V_{(SS/TR)} = 0.4$ V		354		μA
SS/TR discharge voltage	$V_{(FB)} = 0$ V		54		mV
POWER GOOD (PWRGD PIN)					
FB threshold for PWRGD low	FB falling		91%		
FB threshold for PWRGD high	FB rising		93%		
FB threshold for PWRGD low	FB rising		108%		
FB threshold for PWRGD high	FB falling		106%		
Hysteresis	FB falling		2%		
Output-high leakage	$V_{(PWRGD)} = 5.5$ V, $T_A = 25^{\circ}\text{C}$		10		nA
On-resistance	$I_{(PWRGD)} = 3$ mA, $V_{(FB)} < 0.79$ V		45		Ω
Minimum input voltage for defined output voltage	$V_{(PWRGD)} < 0.5$ V, $I_{(PWRGD)} = 100$ μA		0.9	2	V

6.6 Timing Requirements

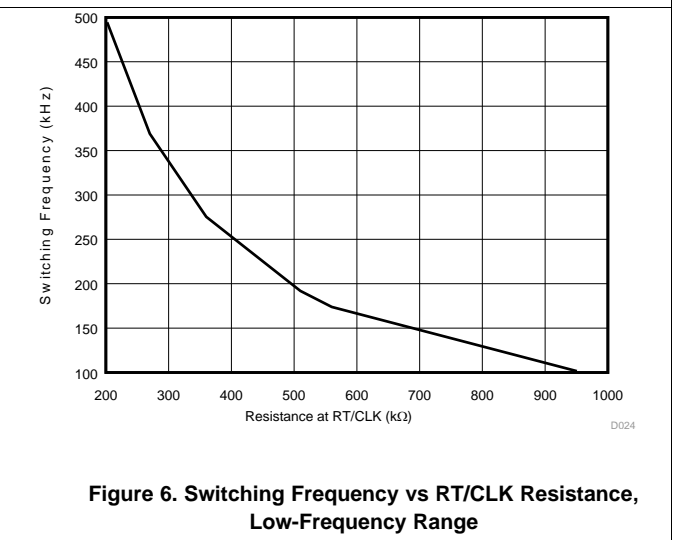
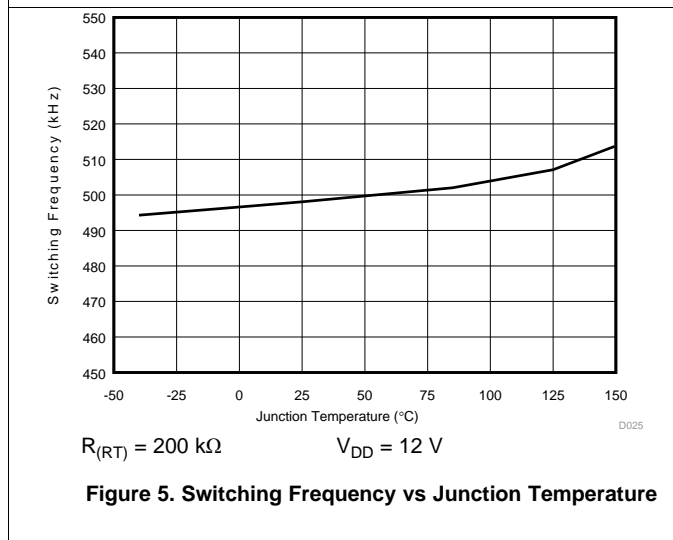
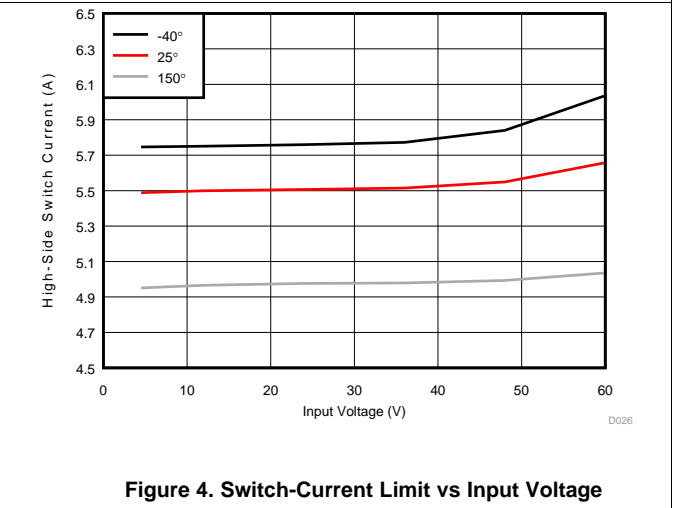
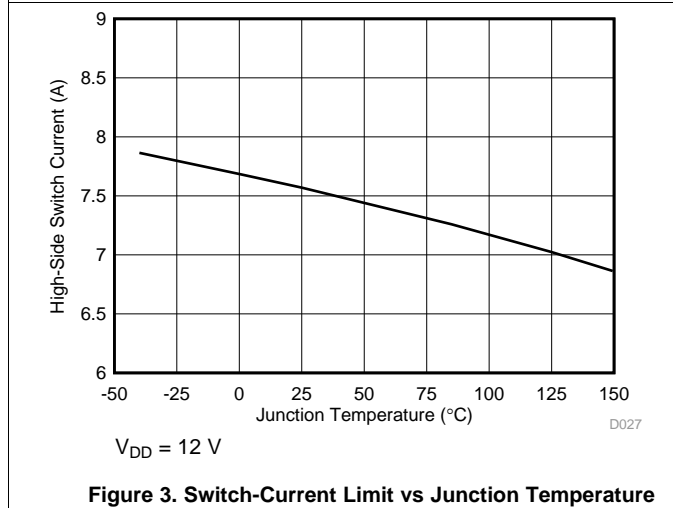
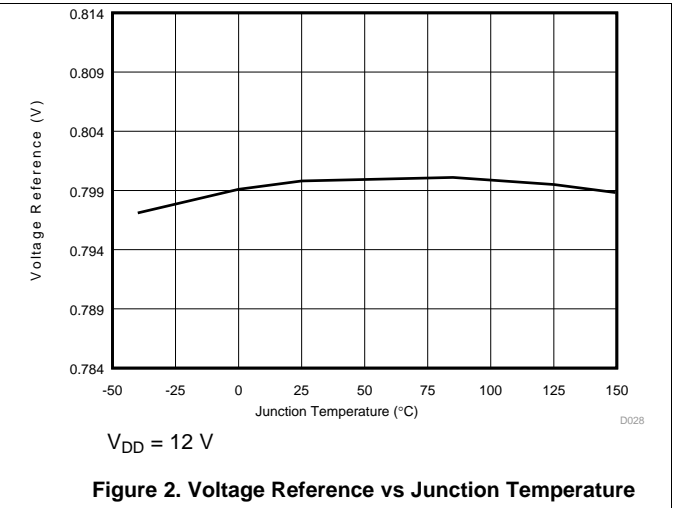
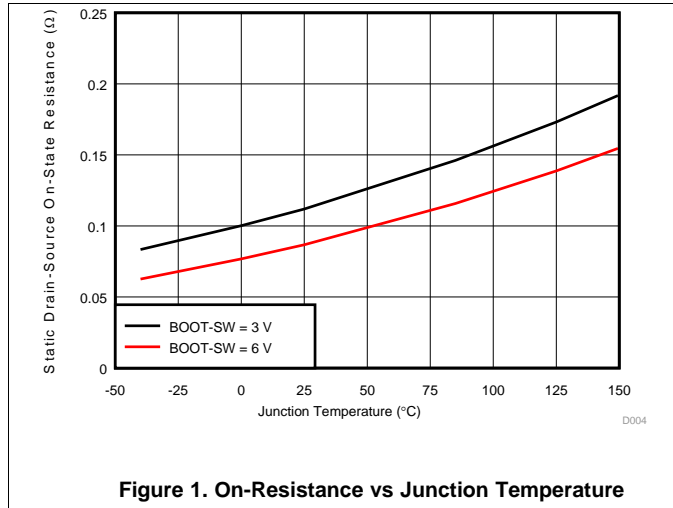
	MIN	TYP	MAX	UNIT
RT/CLK				
Minimum CLK input pulse duration		15		ns

6.7 Switching Characteristics

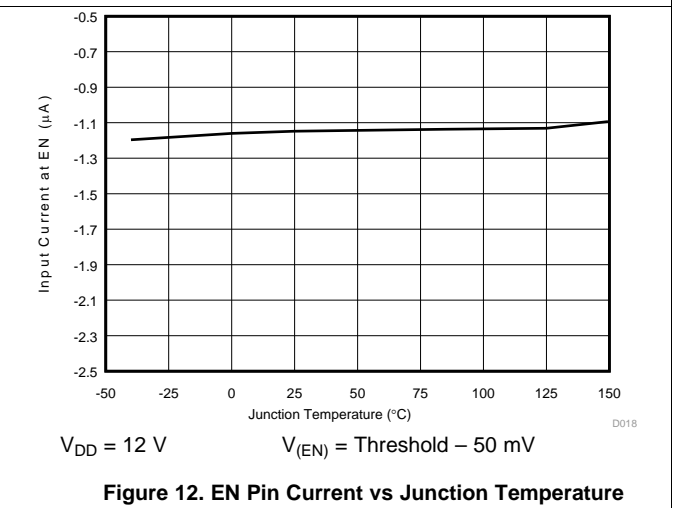
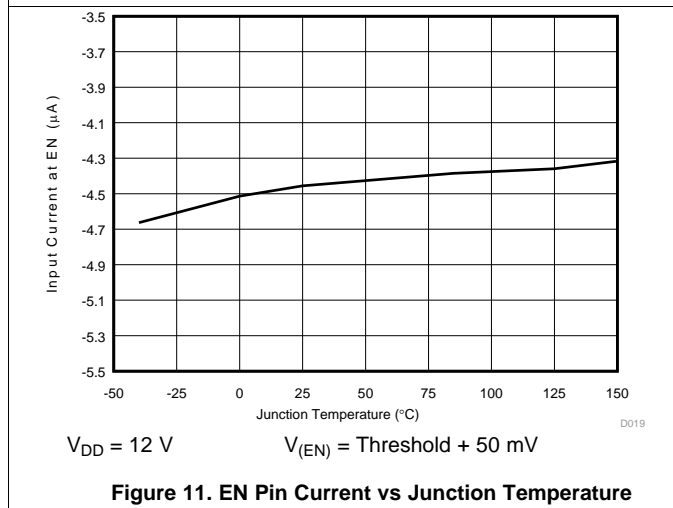
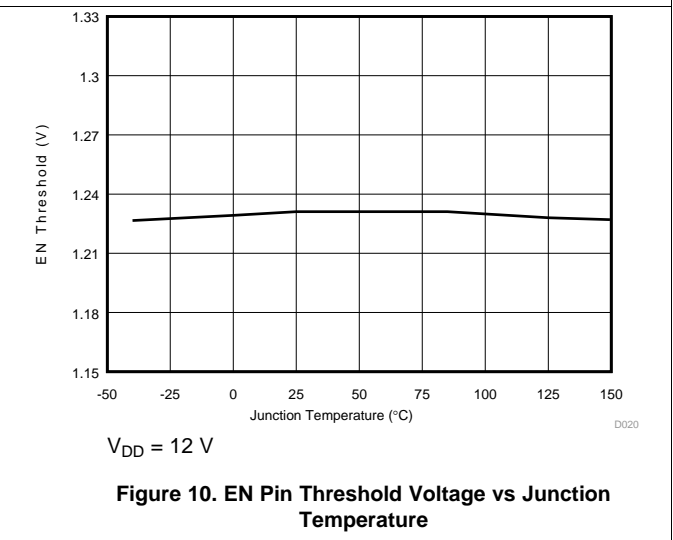
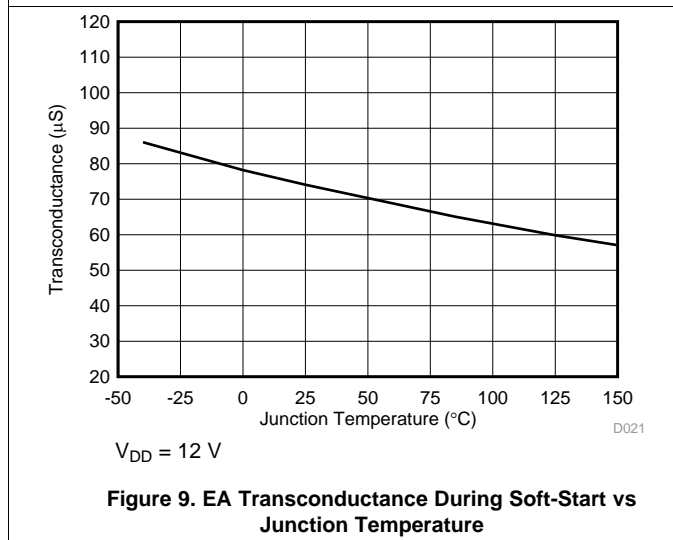
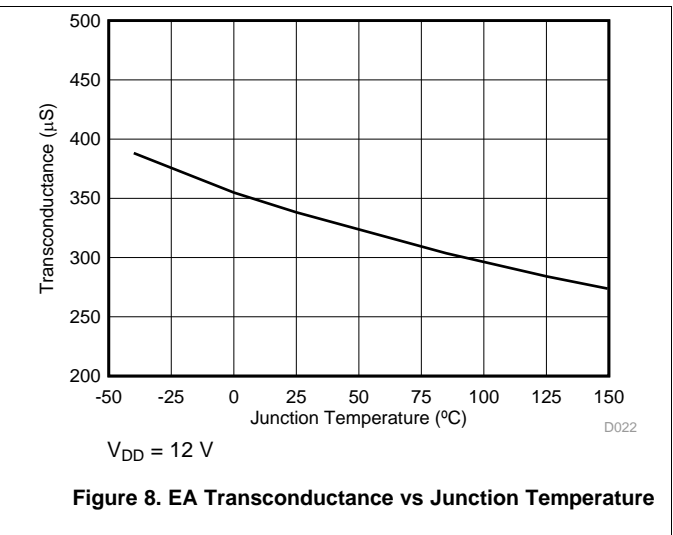
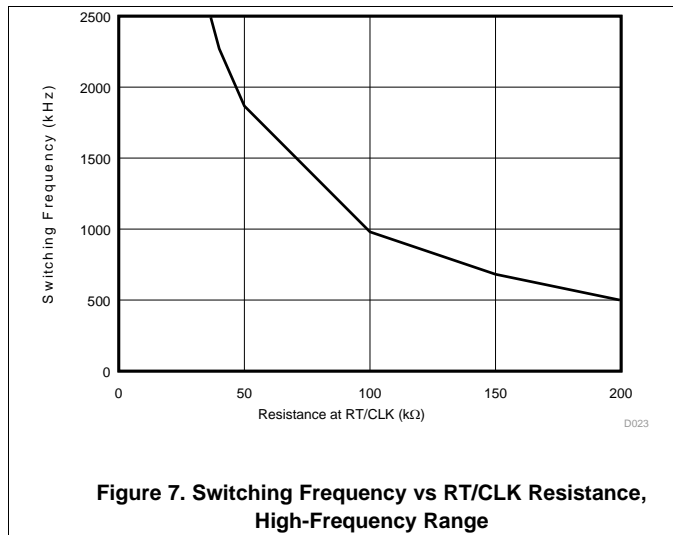
 $T_J = -40^{\circ}\text{C}$ to 150°C , $V_{DD} = 4.5$ V to 60 V (unless otherwise noted)

PARAMETER	TEST CONDITIONS	MIN	TYP	MAX	UNIT
ENABLE AND UVLO (EN PIN)					
Enable to COMP active	$V_{DD} = 12$ V, $T_A = 25^{\circ}\text{C}$		540		μs
CURRENT-LIMIT					
$t_{d(CL)}$ Current limit threshold delay			60		ns
SW					
$t_{(ON)}$ Minimum controllable on-time	$V_{DD} = 23.7$ V, $V_O = 5$ V, $I_O = 3.5$ A, $R_{(RT)} = 39.6$ k Ω , $T_A = 25^{\circ}\text{C}$		100		ns
RT/CLK					
Switching frequency range using RT mode		100		2500	kHz
$f_{(SW)}$ Switching frequency	$R_{(RT)} = 200$ k Ω	450	500	550	kHz
Switching frequency range using CLK mode		160		2300	kHz
TIMING RESISTOR AND EXTERNAL CLOCK (RT/CLK PIN)					
RT/CLK falling edge to SW rising edge delay	Measured at 500 kHz with an RT resistor ($R_{(RT)}$) in series		55		ns
PLL lock-in time	Measured at 500 kHz		78		μs

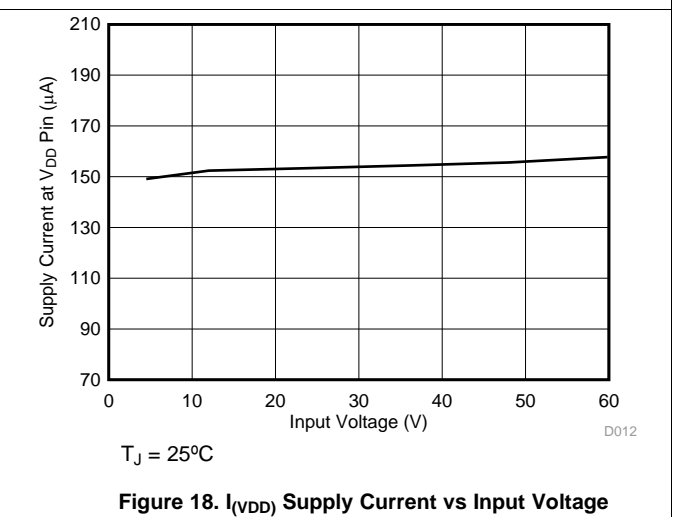
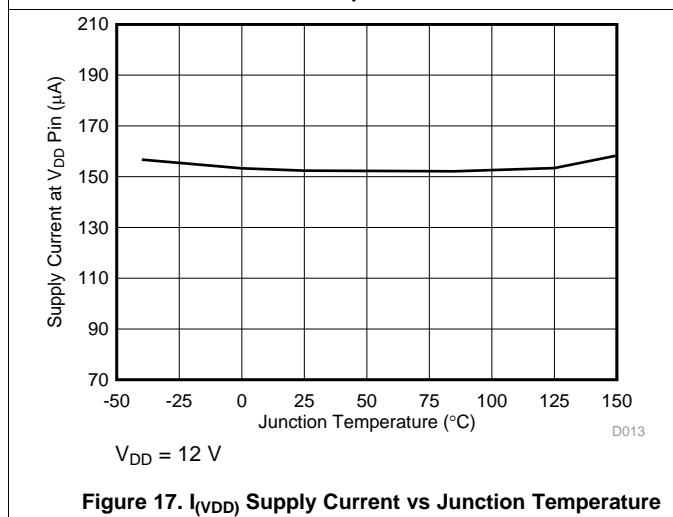
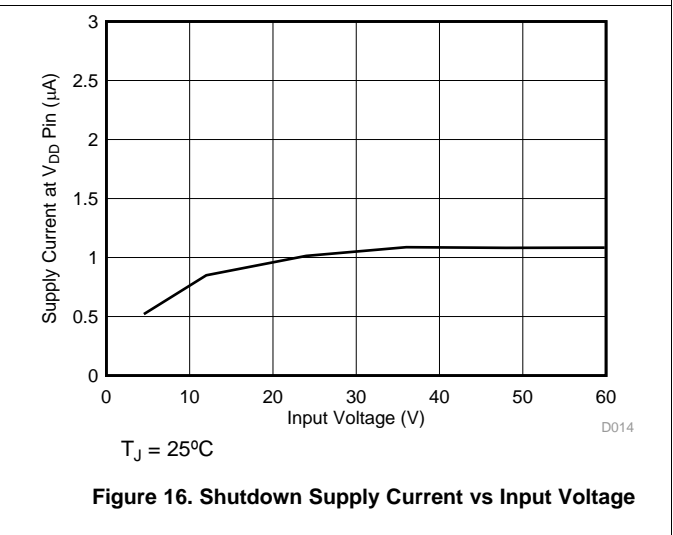
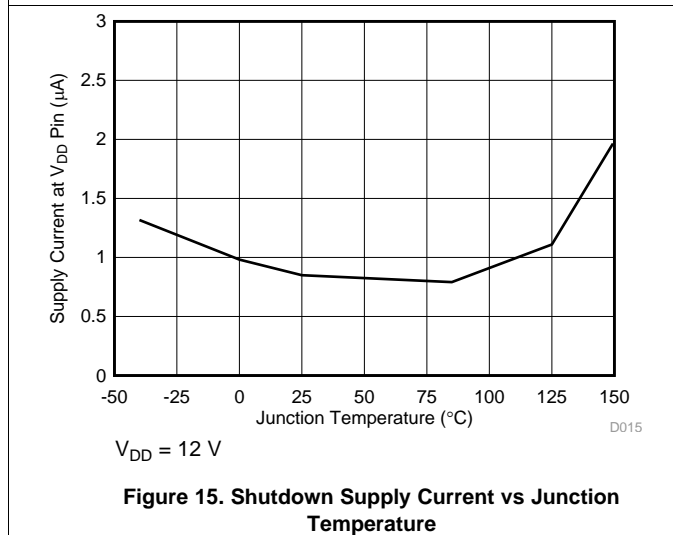
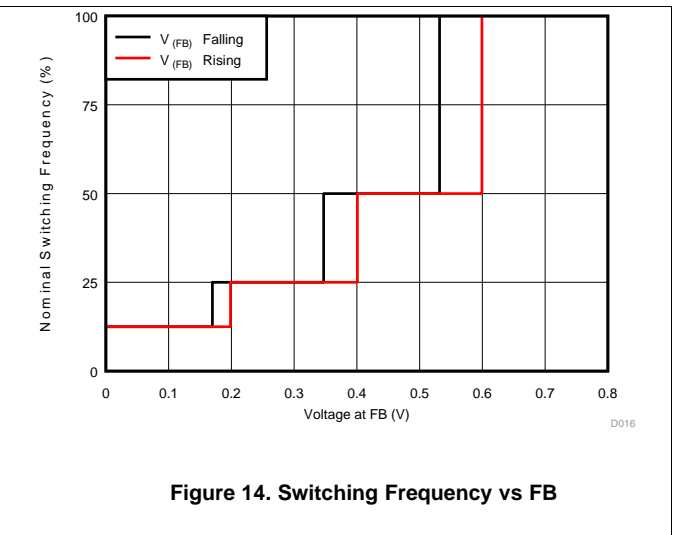
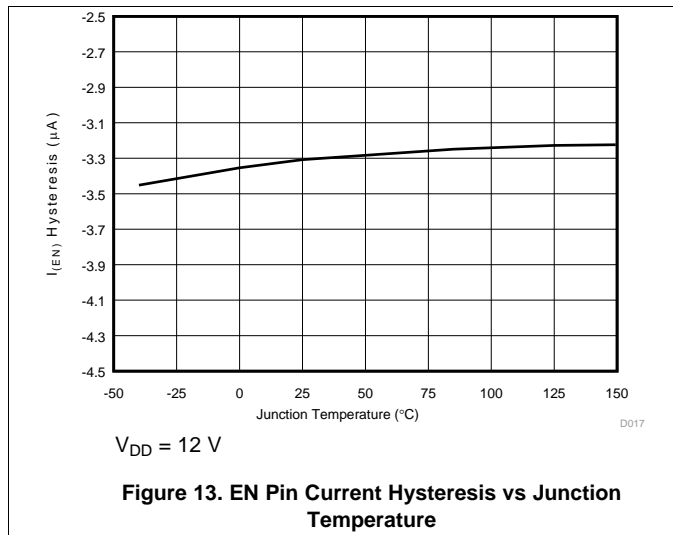
6.8 Typical Characteristics



Typical Characteristics (continued)



Typical Characteristics (continued)



Typical Characteristics (continued)

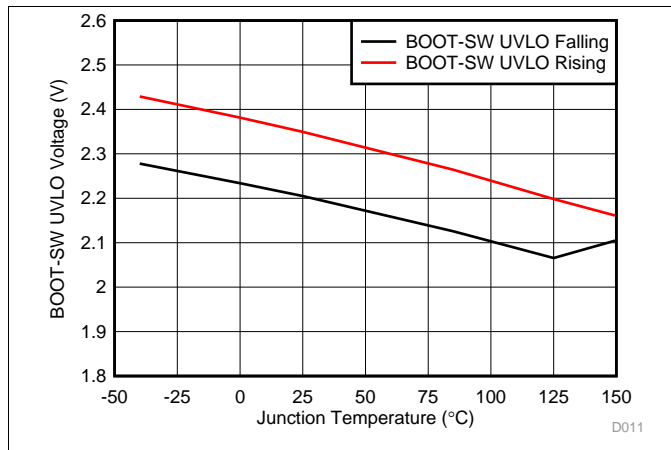


Figure 19. BOOT-SW UVLO vs Junction Temperature

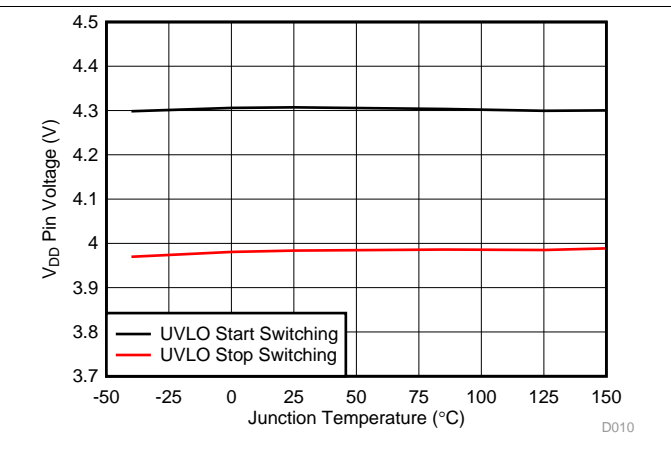


Figure 20. Input Voltage UVLO vs Junction Temperature

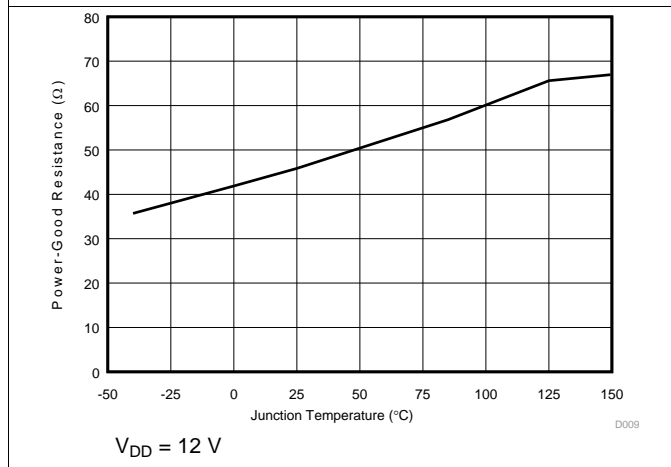


Figure 21. PWRGD On-Resistance vs Junction Temperature

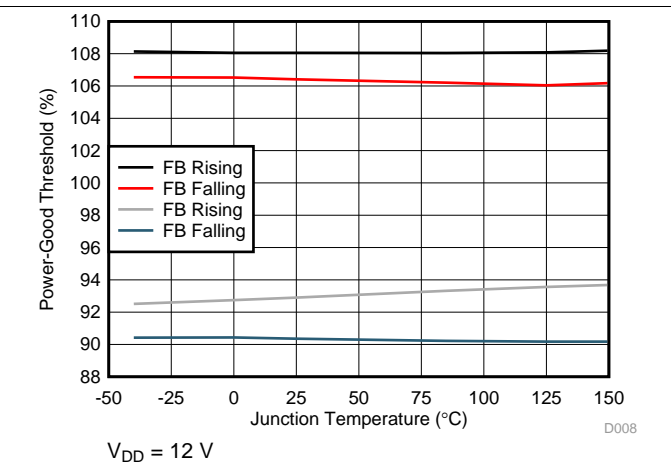


Figure 22. PWRGD Threshold vs Junction Temperature

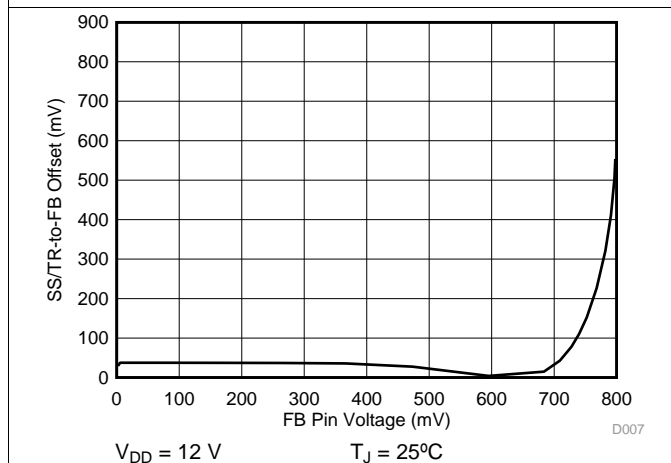


Figure 23. SS/TR to FB Offset vs FB

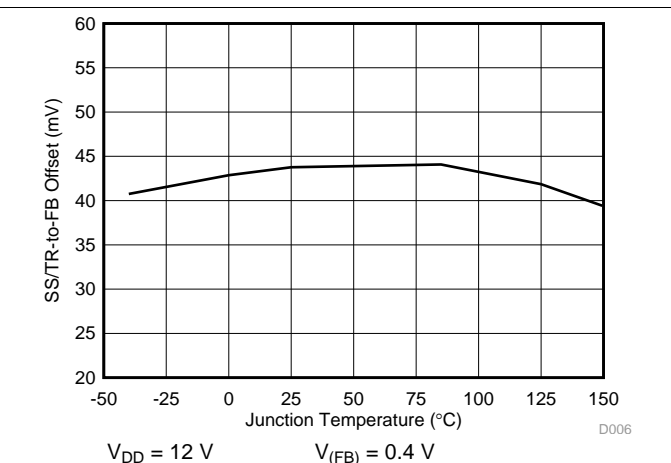
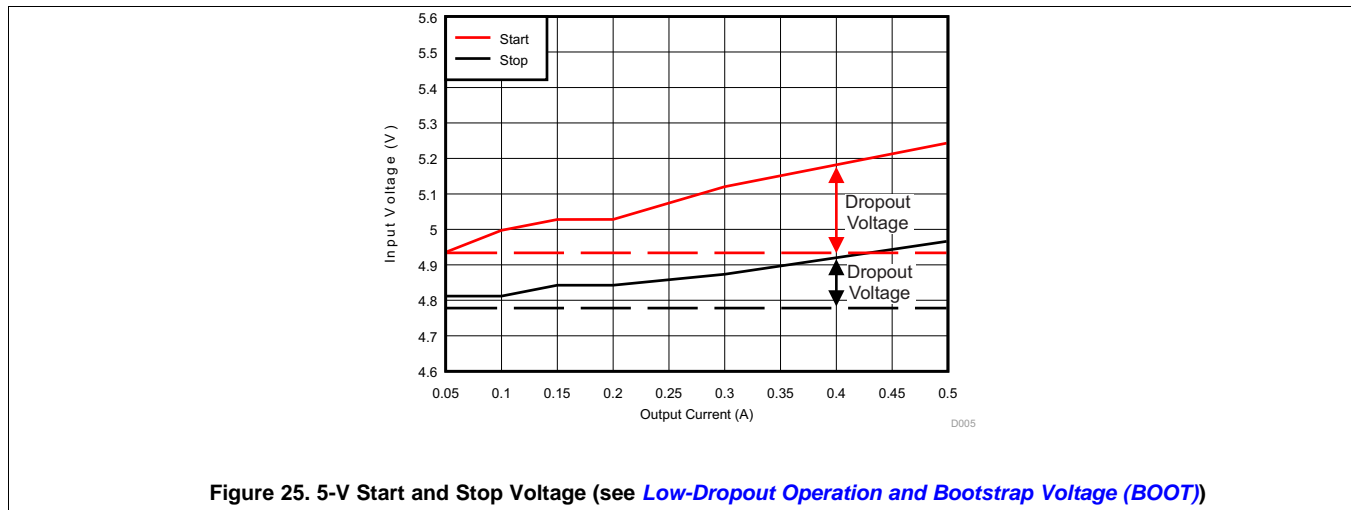


Figure 24. SS/TR to FB Offset vs Temperature

Typical Characteristics (continued)



7 Detailed Description

7.1 Overview

The TPS54561-Q1 device is a 60-V, 5-A, step-down (buck) regulator with an integrated high-side n-channel MOSFET. The device implements constant-frequency current-mode control, which reduces output capacitance and simplifies external frequency compensation. The wide switching frequency range of 100 kHz to 2500 kHz allows either efficiency or size optimization when selecting the output filter components. The use of a resistor connected to ground from the RT/CLK pin adjusts the switching frequency. The device has an internal phase-locked loop (PLL) connected to the RT/CLK pin that synchronizes the power-switch turnon to the falling edge of an external clock signal.

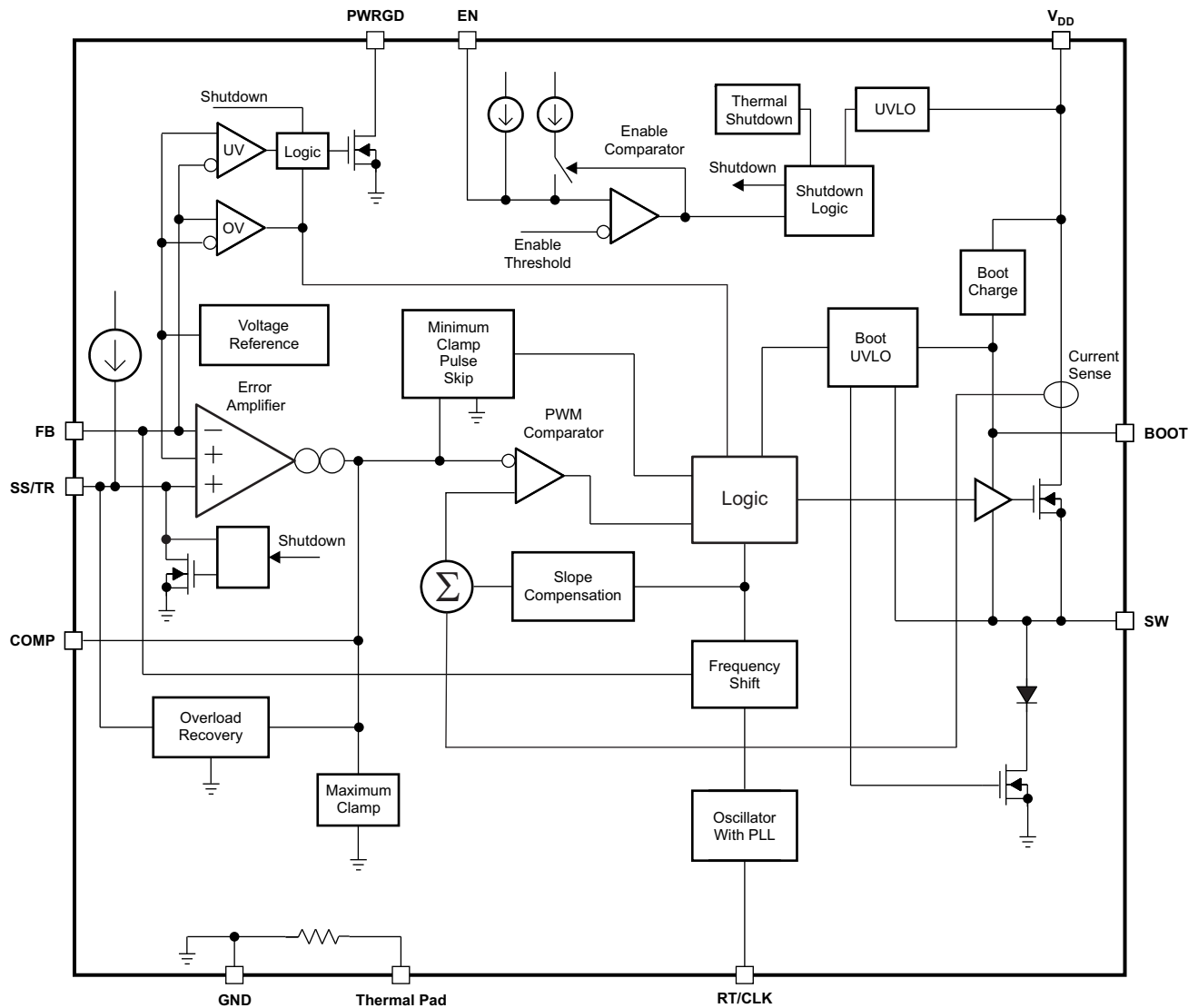
The TPS54561-Q1 device has a default input start-up voltage of approximately 4.3 V. The EN pin adjusts the input-voltage undervoltage-lockout (UVLO) threshold with two external resistors. An internal pullup current source enables operation when the EN pin is floating. The operating current is 152 μ A under no-load conditions when not switching. With the device disabled, the supply current is 2 μ A.

The integrated 87-m Ω high-side MOSFET supports high-efficiency power supply designs capable of delivering 5 A of continuous current to a load. A bootstrap capacitor connected from the BOOT pin to the SW pin supplies the gate-drive bias voltage for the integrated high-side MOSFET. The TPS54561-Q1 device reduces the external component count by integrating the bootstrap recharge diode. A BOOT UVLO circuit monitors the BOOT pin capacitor voltage, and turns off the high-side MOSFET when the BOOT to SW voltage falls below a preset threshold. An automatic BOOT capacitor recharge circuit allows the TPS54561-Q1 to operate at high duty cycles approaching 100%. Therefore, the maximum output voltage is near the minimum input supply voltage of the application. The minimum output voltage is 0.8 V, which equals the internal feedback reference.

An overvoltage protection (OVP) comparator minimizes output overvoltage transients. On activation of the OVP comparator, the high-side MOSFET turns off and remains off until the output voltage is less than 106% of the desired output voltage.

Using the SS/TR (soft-start and tracking) pin minimizes inrush currents or provides power supply sequencing during power-up. Couple a small-value capacitor from the SS/TR pin to the GND pin to adjust the soft-start time. Couple a resistor divider from SS/TR pin to GND pin for critical power-supply sequencing requirements. The device discharges the SS/TR pin before the output powers up. This discharging ensures a repeatable restart after an overtemperature fault, UVLO fault, or a disabled condition. When the overload condition goes away, the soft-start circuit controls the recovery from the fault output level to the nominal regulation voltage. A frequency foldback circuit reduces the switching frequency during start-up or overcurrent fault conditions to help maintain control of the inductor current.

7.2 Functional Block Diagram



Copyright © 2016, Texas Instruments Incorporated

7.3 Feature Description

7.3.1 Fixed-Frequency PWM Control

The TPS54561-Q1 device uses fixed-frequency, peak-current-mode control with adjustable switching frequency. An error amplifier compares the output voltage to an internal voltage reference through an external resistor divider connected to the FB pin. An internal oscillator initiates the turnon of the high-side MOSFET. The error amplifier output at the COMP pin controls the high-side MOSFET current. When the high-side MOSFET switch current reaches the threshold level set by the COMP voltage, the power switch turns off. The COMP pin voltage increases and decreases as the output current increases and decreases. The device implements current limiting by clamping the COMP pin voltage to a maximum level. Implementation of the pulse-skipping Eco-mode control scheme is through a minimum voltage clamp on the COMP pin.

7.3.2 Slope Compensation Output Current

The TPS54561-Q1 adds a compensating ramp to the MOSFET switch-current sense signal. This slope compensation prevents sub-harmonic oscillations at duty cycles greater than 50%. The slope compensation does not affect the peak current limit of the high-side switch, which remains constant over the full duty cycle range.

Feature Description (continued)

7.3.3 Pulse-Skipping Eco-mode Control Scheme

The TPS54561-Q1 device operates in a pulse-skipping Eco-mode control scheme at light load currents to improve efficiency by reducing switching and gate-drive losses. If the output voltage is within regulation and the peak switch current of any switching cycle is below the pulse-skipping current threshold, the device enters pulse-skipping mode. The pulse-skipping current threshold is the peak switch-current level corresponding to a nominal COMP voltage of 600 mV.

When in pulse-skipping mode, the TPS54561-Q1 device clamps the COMP pin voltage to 600 mV and inhibits the high-side MOSFET. Because the device is not switching, the output voltage begins to decay. The voltage control loop responds to the falling output voltage by increasing the COMP pin voltage. The high-side MOSFET enables and switching resumes when the error amplifier lifts COMP above the pulse-skipping threshold. The output voltage recovers to the regulated value, and COMP eventually falls below the pulse-skipping threshold, at which time the device again enters pulse-skipping mode. The internal PLL remains operational when in pulse-skipping mode. When operating at light load currents in pulse-skipping mode, the switching transitions occur synchronously with the external clock signal.

During pulse-skipping operation, the TPS54561-Q1 device senses and controls the peak switch current, not the average load current. Therefore, the load current at which the device enters pulse-skipping mode depends on the output inductor value. The circuit in [Figure 46](#) enters pulse-skipping mode at about 25.3 mA output current. As the load current approaches zero, the device enters the pulse-skipping mode. During the time period when there is no switching the input current falls to the 152-μA quiescent current.

7.3.4 Low-Dropout Operation and Bootstrap Voltage (BOOT)

The TPS54561-Q1 device provides an integrated bootstrap voltage regulator. A small capacitor between the BOOT and SW pins provides the gate-drive voltage for the high-side MOSFET. The BOOT capacitor recharges when the high-side MOSFET is off and the external low-side diode conducts. The recommended value of the BOOT capacitor is 0.1 μF. For stable performance over temperature and voltage, TI recommends a ceramic capacitor with an X7R or X5R grade dielectric with a voltage rating of 10 V or higher.

When operating with a low voltage difference from input to output, the high-side MOSFET of the TPS54561-Q1 operates at 100% duty cycle as long as the BOOT-to-SW pin voltage is greater than 2.1 V. When the voltage from BOOT to SW drops below 2.1 V, the high-side MOSFET turns off and an integrated low-side MOSFET pulls SW low to recharge the BOOT capacitor. To reduce the losses of the small low-side MOSFET at high output voltages, the device disables this small low-side MOSFET at 24-V output and re-enables it when the output reaches 21.5 V.

Because the gate-drive current sourced from the BOOT capacitor is small, the high-side MOSFET can remain on for many switching cycles before the MOSFET turns off to refresh the capacitor. Thus the effective duty cycle of the switching regulator can be high, approaching 100%. The main influences on the effective duty cycle of the converter during dropout are the voltage drops across the power MOSFET, the inductor resistance, the low-side diode voltage, and the printed-circuit-board (PCB) resistance.

[Figure 25](#) shows the start and stop voltages for a typical 5-V output application, and plots the input voltage versus load current. The definition of start voltage is the input voltage required to regulate the output within 1% of nominal voltage. The definition of stop voltage is the input voltage at which the output drops by 5% or where switching stops.

During high-duty-cycle (low dropout) conditions, inductor current ripple increases while the BOOT capacitor recharges, resulting in an increase in output-voltage ripple. Increased ripple occurs when the off-time required to recharge the BOOT capacitor is longer than the high-side off-time associated with cycle-by-cycle PWM control.

At heavy loads, increase the minimum input voltage to ensure a monotonic start-up. For this condition, use [Equation 1](#) to calculate the maximum output voltage for a given minimum input voltage.

$$V_{O\max} = D_{\max} \times (V_{I\min} - I_{O\max} \times r_{DS(on)} + V_{(d)}) - V_{(d)} + I_{O\max} \times R_{(DC)}$$

where

- $D_{\max} = 0.9$
- $V_{(d)}$ = Forward drop of the catch diode
- $R_{(DC)}$ = DC resistance of output inductor

Feature Description (continued)

- $r_{DS(on)} = 1 / (-0.3 \times V_{(BOOT_SW)}^2 + 3.577 \times V_{(BOOT_SW)} - 4.246)$
 - $V_{(BOOT_SW)} = V_{(BOOT)} + V_{(d)}$
 - $V_{(BOOT)} = (1.41 \times V_{Imin} - 0.554 - V_{(d)} \times f_{(SW)} - 1.847 \times 10^3 \times I_{(BOOT_SW)}) / (1.41 + f_{(SW)})$
 - $I_{(BOOT_SW)} = 100 \times 10^{-6} \text{ A}$
 - $f_{(SW)} = \text{Operating frequency in MHz}$
- (1)

7.3.5 Error Amplifier

A transconductance error amplifier controls the TPS54561-Q1 voltage regulation loop. The error amplifier compares the FB pin voltage to the lower of the internal soft-start voltage or the internal 0.8-V voltage reference. The transconductance ($g_{m(ea)}$) of the error amplifier is 350 μS during normal operation. During soft-start operation, the device reduces the transconductance to 78 μS and references the error amplifier to the internal soft-start voltage.

The frequency compensation components (capacitor, series resistor, and capacitor) connect the error-amplifier output COMP pin to the GND pin.

7.3.6 Adjusting the Output Voltage

The internal voltage reference produces a precise 0.8-V $\pm 1\%$ voltage reference over the operating temperature and voltage range by scaling the output of a bandgap reference circuit. A resistor divider from the output node to the FB pin sets the output voltage. Divider resistors with a 1% tolerance or better are recommended. Select the low-side resistor, $R_{(LS)}$, for the desired divider current, and use Equation 2 to calculate $R_{(HS)}$. To improve efficiency at light loads, consider using larger-value resistors. However, if the values are too high, the regulator is more susceptible to noise and voltage errors because of the FB input current may become noticeable.

$$R_{(HS)} = R_{(LS)} \times \left(\frac{V_O - 0.8 \text{ V}}{0.8 \text{ V}} \right) \quad (2)$$

7.3.7 Enable and Adjust Undervoltage Lockout

The V_{DD} pin voltage rising above 4.3 V when the EN pin voltage exceeds the enable threshold of 1.2 V enables the TPS54561-Q1 device. The V_{DD} pin voltage falling below 4 V or the EN pin voltage dropping below 1.2 V disables the TPS54561-Q1 device. The EN pin has an internal pullup current source, $I_{(1)}$, of 1.2 μA that enables operation of the TPS54561-Q1 device when the EN pin floats.

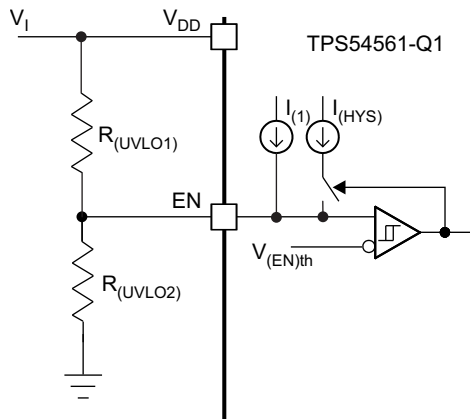
If an application requires a higher undervoltage lockout (UVLO) threshold, use the circuit shown in Figure 26 to adjust the input voltage UVLO with two external resistors. When the EN pin voltage exceeds 1.2 V, the EN pin sources an additional 3.4 μA of hysteresis current, $I_{(HYS)}$. This additional current facilitates adjustable input voltage UVLO hysteresis. Pulling the EN pin below 1.2 V removes the 3.4- μA $I_{(HYS)}$ current. Use Equation 3 to calculate $R_{(UVLO1)}$ for the desired UVLO hysteresis voltage. Use Equation 4 to calculate $R_{(UVLO2)}$ for the desired V_{DD} start voltage.

In applications designed to start at relatively low input voltages (for example, from 4.5 V to 9 V) and withstand high input voltages (for example, from 40 V to 60 V), the EN pin may experience a voltage greater than the absolute maximum voltage of 8.4 V during the high-input-voltage condition. To avoid exceeding this voltage when using the EN resistors, a 5.8-V Zener diode that is capable of sinking up to 150 μA internally clamps the EN pin.

$$R_{(UVLO1)} = \left(\frac{V_{(START)} - V_{(STOP)}}{I_{(HYS)}} \right) \quad (3)$$

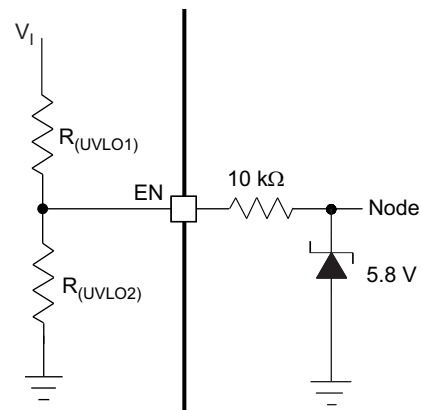
$$R_{(UVLO2)} = \frac{V_{(EN)th}}{\frac{V_{(START)} - V_{(EN)th}}{R_{(UVLO1)}} + I_{(1)}} \quad (4)$$

Feature Description (continued)



Copyright © 2017, Texas Instruments Incorporated

Figure 26. Adjustable Undervoltage Lockout (UVLO)



Copyright © 2017, Texas Instruments Incorporated

Figure 27. Internal Clamp On EN Pin

7.3.8 Soft-Start and Tracking Pin (SS/TR)

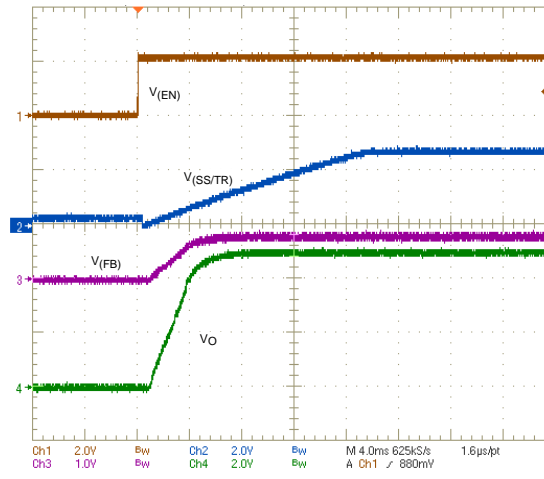
The TPS54561-Q1 device effectively uses the lower voltage of the internal voltage reference or the SS/TR pin voltage as the power-supply reference voltage and regulates the output accordingly. A capacitor on the SS/TR pin to ground implements a soft-start time. The TPS54561-Q1 device has an internal pullup current source of 1.7 μA that charges the external soft-start capacitor. Equation 5 shows the calculation for the soft-start time (10% to 90%). The voltage reference (V_{ref}) is 0.8 V and the soft-start current (I_{SS}) is 1.7 μA . The soft-start capacitor should remain lower than 0.47 μF and greater than 0.47 nF.

$$C_{\text{(SS)}} \text{ (nF)} = \frac{t_{\text{(SS)}} \text{ (ms)} \times I_{\text{(SS)}} \text{ (\mu A)}}{V_{\text{ref}} \times 0.8} \tag{5}$$

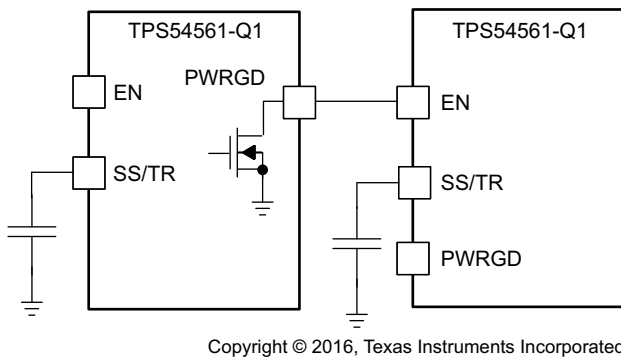
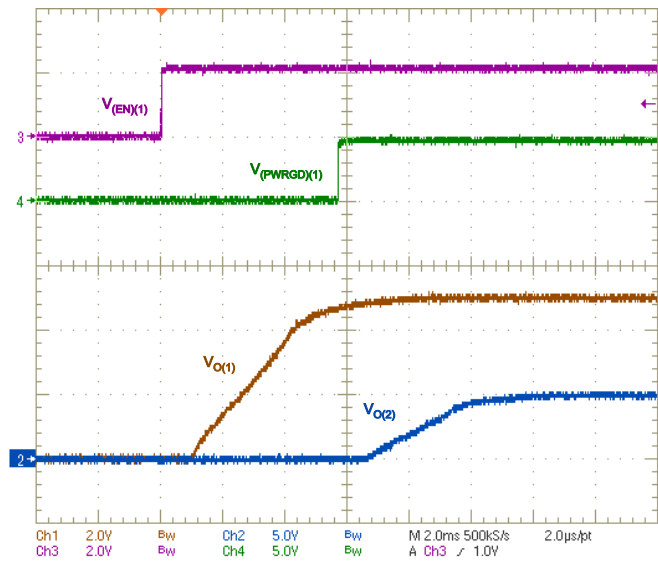
At power up, the TPS54561-Q1 device does not start switching until the voltage in the soft-start pin is less than 54 mV to ensure a proper power up (see Figure 28).

Also, during normal operation, the TPS54561-Q1 stops switching and the SS/TR pin must discharge to 54 mV when one of the following occurs: the V_{DD} pin voltage exceeds the UVLO threshold, the EN pin drops below 1.2 V, or a thermal shutdown event occurs.

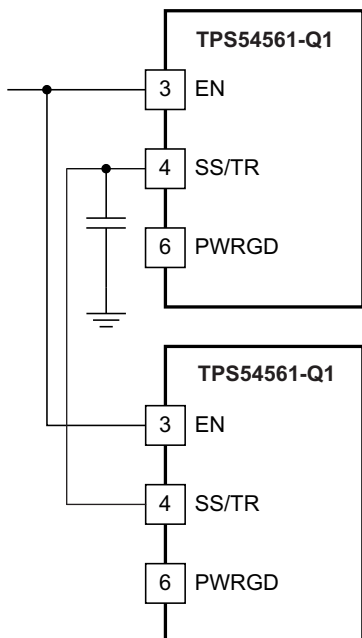
The FB voltage follows the SS/TR pin voltage with a 42-mV offset up to 85% of the internal voltage reference. When the SS/TR voltage is greater than 85% of the internal reference voltage, the offset increases as the effective system reference transitions from the SS/TR voltage to the internal voltage reference (see Figure 23). The SS/TR voltage ramps linearly until clamped at 2.7 V typical, as shown in Figure 28.

Feature Description (continued)

Figure 28. Operation of SS/TR Pin When Starting
7.3.9 Sequencing

A designer can implement many of the common power-supply sequencing methods using the SS/TR, EN, and PWRGD pins. Implementation of the sequential method can be by using an open-drain output of the power-on-reset pin of another device. [Figure 29](#) illustrates the sequential method using two TPS54561-Q1 devices. Connecting the power-good signal of the first TPS54561-Q1 device to the EN pin on the second TPS54561-Q1 device enables the second power supply once the primary supply reaches regulation. If needed, a 1-nF ceramic capacitor on the EN pin of the second power supply provides a 1-ms start-up delay. [Figure 30](#) shows the results of [Figure 29](#).


Figure 29. Schematic for Sequential Start-Up Sequence

Figure 30. Sequential Start-Up Using EN and PWRGD

Feature Description (continued)



Copyright © 2016, Texas Instruments Incorporated

Figure 31. Schematic for Ratiometric Start-Up Sequence

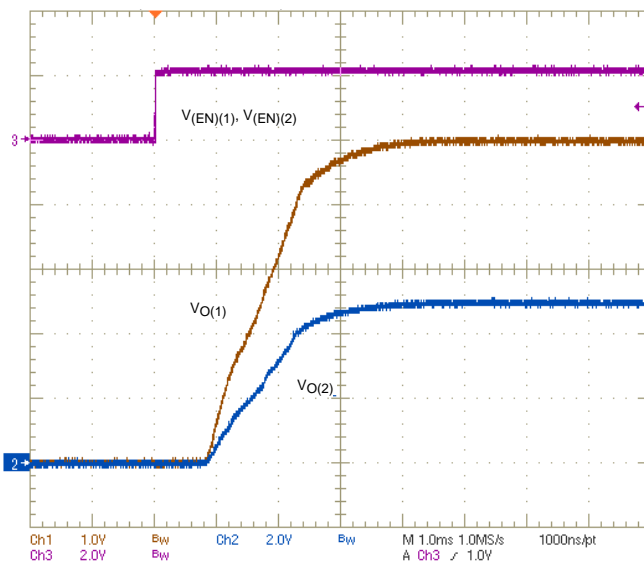
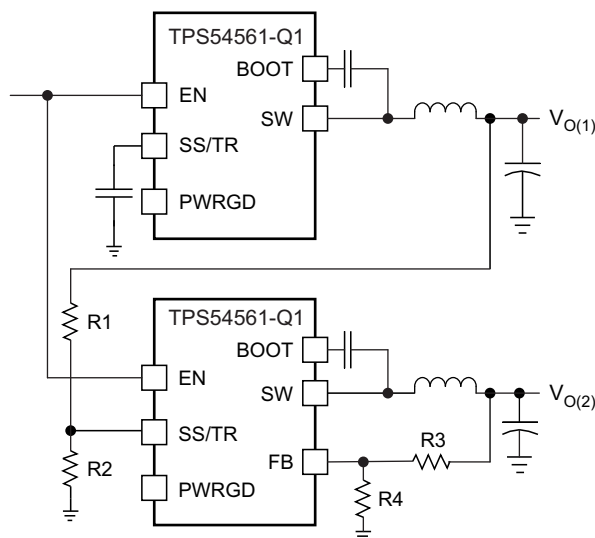


Figure 32. Ratiometric Start-Up Using Coupled SS/TR Pins

Figure 31 shows a method for a ratiometric start-up sequence by connecting the SS/TR pins together. The regulator outputs ramp up and reach regulation at the same time. When calculating the soft-start capacitor by using Equation 5, double the pullup current source (I_{SS}). Figure 32 shows the results of Figure 31.



Copyright © 2016, Texas Instruments Incorporated

Figure 33. Schematic for Ratiometric and Simultaneous Start-Up Sequence

One can implement ratiometric and simultaneous power-supply sequencing by connecting the resistor network of R1 and R2 shown in Figure 33 to the output of a power supply that must be tracked, or to another voltage reference source. Using Equation 7 and Equation 8, one can calculate values for the tracking resistors to initiate $V_{O(2)}$ slightly before, after, or at the same time as $V_{O(1)}$. Equation 6 is the voltage difference between $V_{O(1)}$ and $V_{O(2)}$ at 95% of nominal output regulation.

Feature Description (continued)

The ΔV variable is zero volts for simultaneous sequencing. To minimize the effect of the inherent SS/TR-to-FB offset ($V_{(SSoffset)}$) in the soft-start circuit and the offset created by the pullup current source ($I_{(SS)}$) and tracking resistors, the equations include $V_{(SSoffset)}$ and $I_{(SS)}$ as variables.

To design a ratiometric start-up in which the $V_{O(2)}$ voltage is slightly greater than the $V_{O(1)}$ voltage when $V_{O(2)}$ reaches regulation, use a negative number in Equation 6 through Equation 8 for ΔV . Equation 6 results in a positive number for applications in which $V_{O(2)}$ is slightly lower than $V_{O(1)}$ when $V_{O(2)}$ reaches its regulation.

Because of the requirement for pulling the SS/TR pin below 54 mV before starting after an EN, UVLO, or thermal shutdown fault, careful selection of the tracking resistors ensures that the device restarts after a fault. Make sure the calculated R1 value from Equation 7 is greater than the value calculated in Equation 9 to ensure the device can recover from a fault.

As the SS/TR voltage becomes more than 85% of the nominal reference voltage, $V_{(SSoffset)}$ becomes larger as the soft-start circuits gradually hand off the regulation reference to the internal voltage reference. The SS/TR pin voltage must be greater than 1.5 V for a complete handoff to the internal voltage reference as shown in Figure 23.

$$\Delta V = V_{O(1)} - V_{O(2)} \quad (6)$$

at 95% of nominal output regulation.

$$R1 = V_{O(1)} - \frac{V_{O(2)} + \Delta V}{V_{ref}} \times \frac{V_{(SSoffset)}}{I_{(SS)}} \quad (7)$$

$$R2 = \frac{V_{ref} \times R1}{V_{O(2)} + \Delta V - V_{ref}} \quad (8)$$

$$R1 > 2800 \times V_{O(1)} - 180 \times \Delta V \quad (9)$$

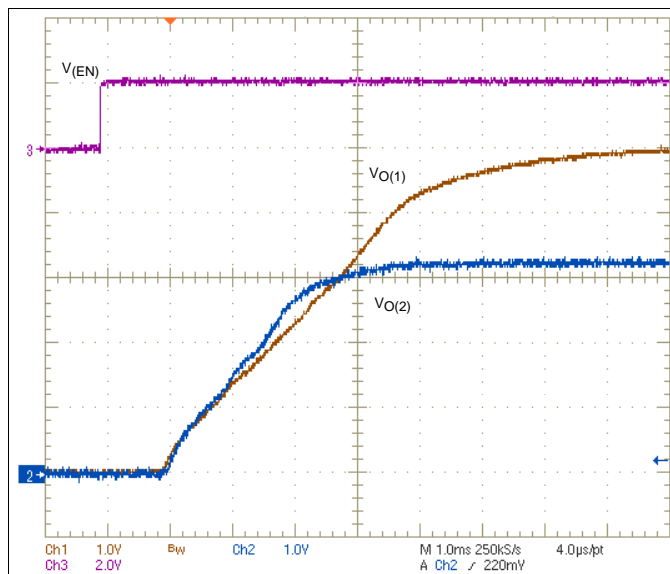


Figure 34. Ratiometric Start-Up With Tracking Resistors – $V_{O(2)}$ Before $V_{O(1)}$

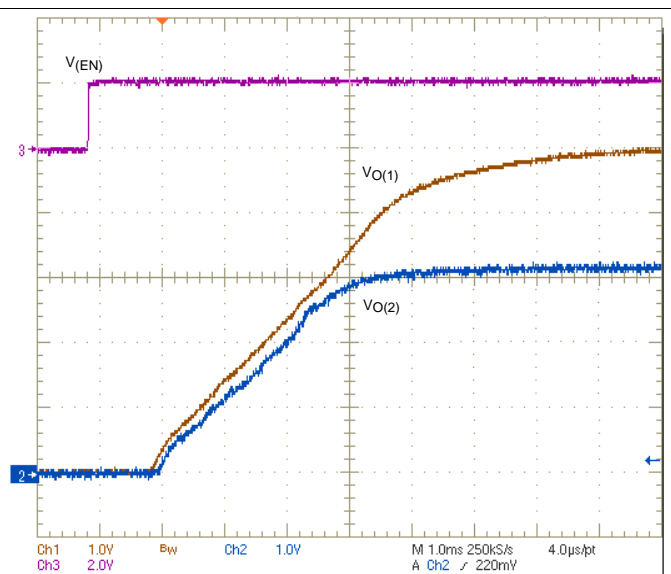
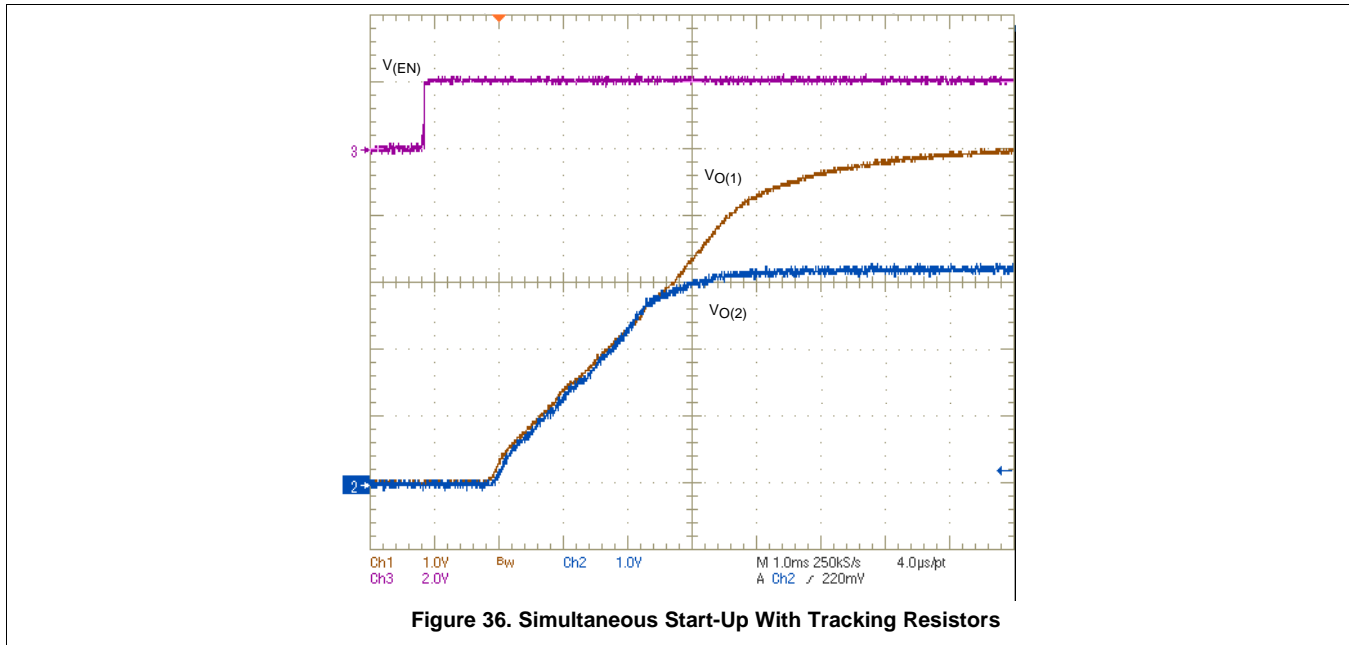


Figure 35. Ratiometric Start-Up With Tracking Resistors – $V_{O(2)}$ After $V_{O(1)}$

Feature Description (continued)



7.3.10 Constant Switching Frequency and Timing Resistor (RT/CLK Pin)

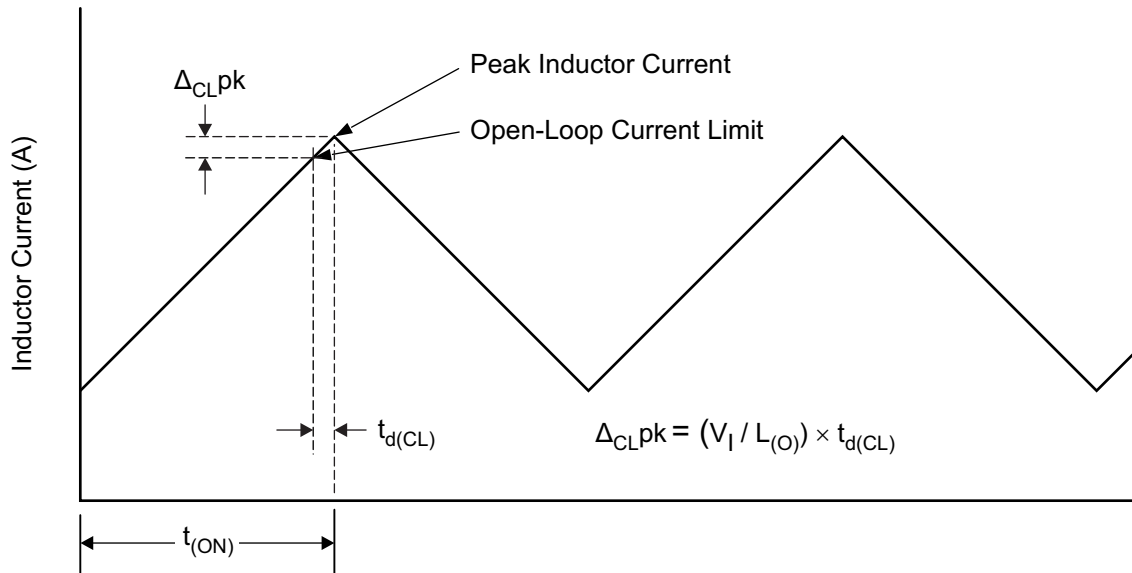
The switching frequency of the TPS54561-Q1 device is adjustable over a wide range, from 100 kHz to 2500 kHz, by placing a resistor between the RT/CLK pin and GND pin. The RT/CLK pin voltage is typically 0.5 V and must have a resistor to ground to set the switching frequency. To determine the timing resistance for a given switching frequency, use Equation 10 or Equation 11 or the curves in Figure 6 and Figure 7. To reduce the solution size, one would typically set the switching frequency as high as possible, but consider tradeoffs of the conversion efficiency, maximum input voltage, and minimum controllable on-time. The minimum controllable on-time is typically 100 ns, which limits the maximum operating frequency in applications with high input-to-output step-down ratios. The frequency foldback circuit also limits the maximum switching frequency. The next section talks about the maximum switching frequency in detail.

$$R_T \text{ (k}\Omega\text{)} = \frac{101756}{f_{sw} \text{ (kHz)}^{1.008}} \quad (10)$$

$$f_{sw} \text{ (kHz)} = \frac{92417}{R_T \text{ (k}\Omega\text{)}^{0.991}} \quad (11)$$

7.3.11 Accurate Current-Limit Operation and Maximum Switching Frequency

The TPS54561-Q1 device implements peak-current-mode control, in which the COMP pin voltage controls the peak current of the high-side MOSFET. A signal proportional to the high-side switch current and the COMP pin voltage are compared each cycle. When the peak switch current intersects the COMP control voltage, the high-side switch turns off. During overcurrent conditions that pull the output voltage low, the error amplifier increases switch current by driving the COMP pin high. The device clamps the error-amplifier output internally at a level which sets the switch-current limit. The TPS54561-Q1 device provides an accurate current-limit threshold with a typical current-limit delay of 60 ns. With smaller inductor values, the delay results in a higher peak inductor current. Figure 37 shows the relationship between the inductor value and the peak inductor current.

Feature Description (continued)

Figure 37. Current Limit Delay

To protect the converter in overload conditions at higher switching frequencies and input voltages, the TPS54561-Q1 device implements frequency foldback. The divisor of the oscillator frequency changes from 1 to 2, 4, and 8 as the FB pin voltage falls from 0.8 V to 0 V. The TPS54561-Q1 device uses digital frequency foldback to enable synchronization to an external clock during normal start-up and fault conditions. During short-circuit events, the inductor current may exceed the peak current limit because of the high input voltage and the minimum controllable on-time. When the shorted load forces the output voltage low, the inductor current decreases slowly during the switch off-time. The frequency foldback effectively increases the off-time by increasing the period of the switching cycle, providing more time for the inductor current to ramp down.

With a maximum frequency foldback ratio of 8, there is a maximum frequency at which frequency foldback protection can still control the inductor current. Equation 12 calculates the maximum switching frequency at which the inductor current remains under control with V_O forced to $V_{O(SC)}$. The selected operating frequency should not exceed the calculated value.

Equation 13 calculates the maximum switching frequency limitation set by the minimum controllable on-time and the input-to-output step-down ratio. Setting the switching frequency above this value causes the regulator to skip switching pulses to achieve the low duty cycle required to regulate the output at maximum input voltage.

$$f_{(SW_shift)} = \frac{f_{(DIV)}}{t_{(ON)}} \times \left(\frac{I_{(CL)} \times R_{(dc)} + V_{O(SC)} + V_{(d)}}{V_I - I_{(CL)} \times r_{DS(on)} + V_{(d)}} \right) \quad (12)$$

$$f_{(SW_skip) \max} = \frac{1}{t_{(ON)}} \times \left(\frac{I_O \times R_{(dc)} + V_O + V_{(d)}}{V_I - I_O \times r_{DS(on)} + V_{(d)}} \right) \quad (13)$$

where

- $f_{(DIV)}$ is the frequency divisor, which equals (1, 2, 4, or 8)
- $t_{(ON)}$ is the minimum controllable on-time
- $I_{(CL)}$ is the switch current limit
- $R_{(dc)}$ is the inductor resistance
- $V_{O(SC)}$ is the output voltage during output short
- $V_{(d)}$ is the forward voltage drop of the catch diode
- V_I is the maximum input voltage
- $r_{DS(on)}$ is the high-side MOSFET on-resistance

Feature Description (continued)

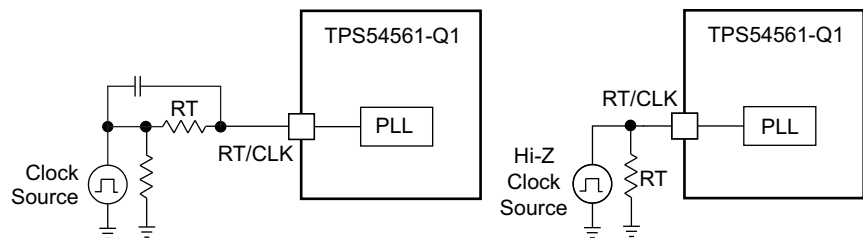
- I_O is the output current
- V_O is the output voltage

7.3.12 Synchronization to RT/CLK Pin

The RT/CLK pin can receive a frequency synchronization signal from an external system clock. To implement this synchronization feature, connect a square wave to the RT/CLK pin through either circuit network shown in Figure 38. The square wave applied to the RT/CLK pin must switch lower than 0.5 V, and higher than 2 V, and have a pulse duration greater than 15 ns. The synchronization frequency range is 160 kHz to 2300 kHz. The rising edge of SW synchronizes to the falling edge of the RT/CLK pin signal. The design of the external synchronization circuit should be such that the default frequency-set resistor connects from the RT/CLK pin to GND pin when the synchronization signal is off. When using a low-impedance signal source, the connection of the frequency-set resistor is in parallel with an ac-coupling capacitor to a termination resistor (for example, 300 Ω) as shown in Figure 38. The two resistors in series provide the default frequency-setting resistance when the signal source turns off. The sum of the resistance should set the switching frequency close to the external CLK frequency. TI recommends ac-coupling the synchronization signal through a 10-pF ceramic capacitor to the RT/CLK pin.

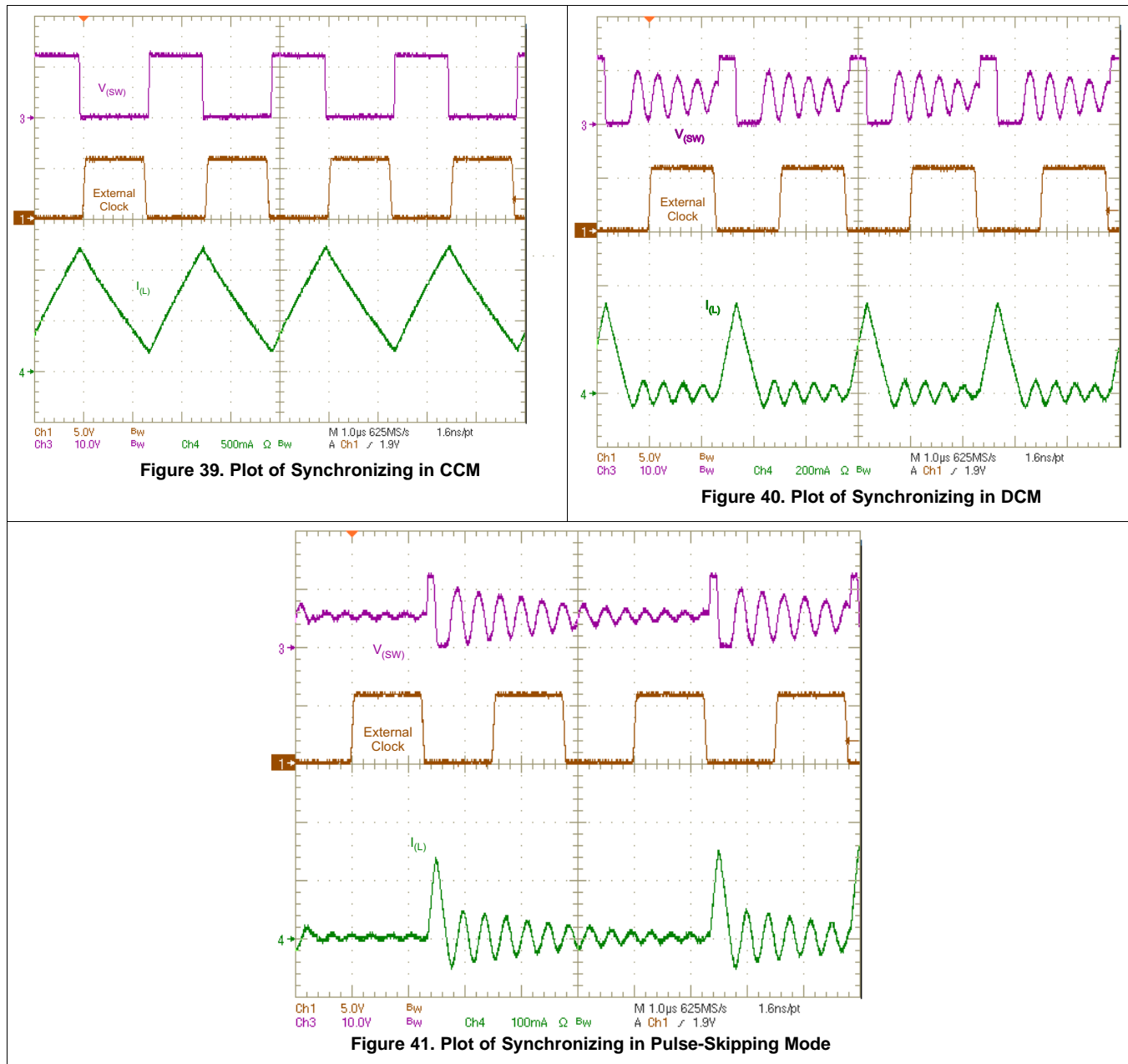
The first time the input pulls the RT/CLK pin above the PLL high threshold, which has a 2-V maximum value, the TPS54561-Q1 switches from the RT resistor free-running frequency mode to the PLL synchronized mode. Removal of the internal 0.5-V voltage source results, and the RT/CLK pin becomes high-impedance as the PLL starts to lock onto the external signal. The switching frequency can be higher or lower than the frequency set with the RT/CLK resistor. The device transitions from the resistor-programmed mode to the PLL mode and locks onto the external clock frequency within 78 μ s. During the transition from the PLL mode to the resistor-programmed mode, the switching frequency falls to 150 kHz and then increases or decreases to the resistor-programmed frequency on re-application of the 0.5-V bias voltage to the RT/CLK resistor.

The switching frequency divisor goes from 8 to 4, 2, and 1 as the FB pin voltage ramps from 0 V to 0.8 V. The device implements a digital-frequency foldback to enable synchronization to an external clock during normal start-up and fault conditions. Figure 39, Figure 40, and Figure 41 show the device synchronized to an external system clock in continuous-conduction mode (CCM), discontinuous-conduction (DCM) and pulse-skipping mode.



Copyright © 2017, Texas Instruments Incorporated

Figure 38. Synchronizing to a System Clock

Feature Description (continued)

7.3.13 Power Good (PWRGD Pin)

The PWRGD pin is an open-drain output. When the FB pin is between 93% and 106% of the internal voltage reference, TPS54561-Q1 device de-asserts the PWRGD pin and this pin floats. TI recommends a pullup resistor of 1 k Ω to a voltage source that is 5.5 V or less. A higher pullup resistance reduces the amount of current drawn from the pullup voltage source when the PWRGD pin is low. A lower pullup resistance reduces the switching noise seen on the PWRGD signal. PWRGD is in a defined state once the V_{DD} pin voltage is greater than 2 V, but with reduced current sinking capability. PWRGD achieves full current-sinking capability as the V_{DD} pin voltage approaches 3 V.

TPS54561-Q1 device pulls the PWRGD pin low when the FB pin voltage is lower than 90% or greater than 108% of the nominal internal reference voltage. Also, the TPS54561-Q1 device pulls the PWRGD pin low after an EN, UVLO, or thermal shutdown fault.

Feature Description (continued)

7.3.14 Overvoltage Protection

The TPS54561-Q1 incorporates an output overvoltage-protection (OVP) circuit to minimize voltage overshoot when recovering from output fault conditions or strong unload transients in designs with low output capacitance. For example, on an overload event of the power-supply output, the error amplifier compares the actual output voltage to the internal reference voltage. If the FB pin voltage is lower than the internal reference voltage for a considerable time, the output of the error amplifier increases to a maximum voltage corresponding to the peak current-limit threshold. On removal of the overload condition, the regulator output rises and the error amplifier output transitions to the normal operating level. In some applications, the power-supply output voltage can increase faster than the response of the error amplifier output, resulting in an output overshoot.

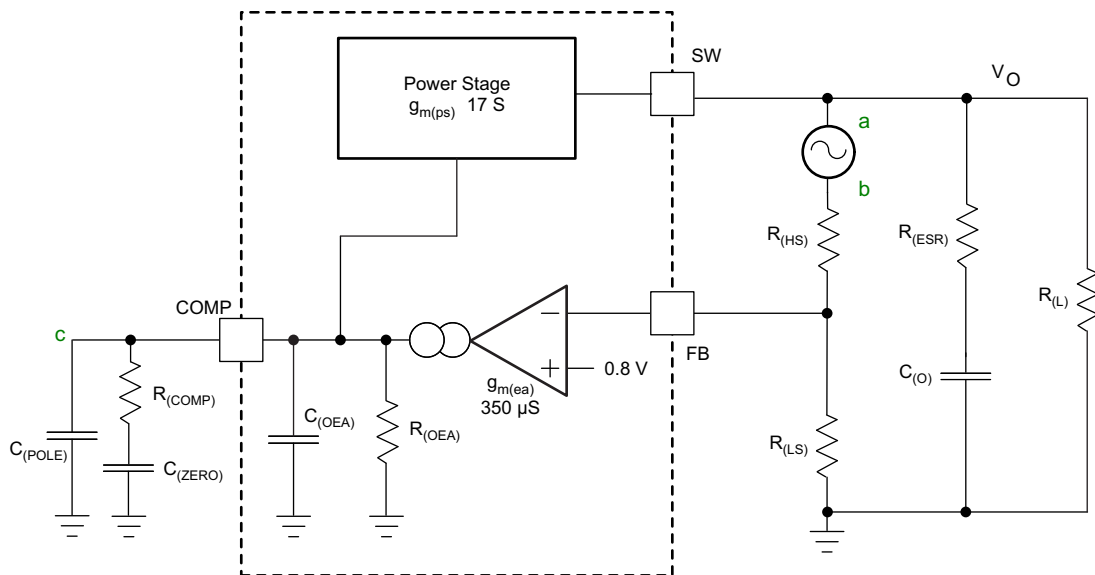
The OVP feature minimizes output overshoot when using a low-value output capacitor by comparing the FB pin voltage to the rising OVP threshold, which is nominally 108% of the internal voltage reference. If the FB pin voltage is greater than the rising OVP threshold, immediately disabling the high-side MOSFET minimizes output overshoot. When the FB voltage drops below the falling OVP threshold, which is nominally 106% of the internal voltage reference, the high-side MOSFET resumes normal operation.

7.3.15 Thermal Shutdown

The TPS54561-Q1 provides an internal thermal shutdown to protect the device when the junction temperature exceeds 176°C. The high-side MOSFET stops switching when the junction temperature exceeds the thermal trip threshold. Once the silicon temperature falls below 164°C, the device reinitiates the power-up sequence controlled by the SS/TR pin.

7.3.16 Small-Signal Model for Loop Response

Figure 42 shows a simplified model for the TPS54561-Q1 control loop, with which the designer can simulate to check the frequency response and dynamic load response. The error amplifier is a transconductance amplifier with a $g_{m(ea)}$ of 350 μS . A user can model the error amplifier using an ideal voltage controlled current source. The resistor, $R_{(OEA)}$, and capacitor, $C_{(OEA)}$, model the open-loop gain and frequency response of the amplifier. The 1-mV ac voltage source between nodes a and b effectively breaks the control loop for the frequency-response measurements. Plotting c/b provides the small-signal response of the frequency compensation. Plotting a/b provides the small-signal response of the overall loop. To evaluate the dynamic loop response, replace the load resistor, $R_{(L)}$, with a current source that has the appropriate load-step amplitude and step rate in a time-domain analysis. This equivalent model is only valid for continuous-conduction-mode (CCM) operation.



Copyright © 2016, Texas Instruments Incorporated

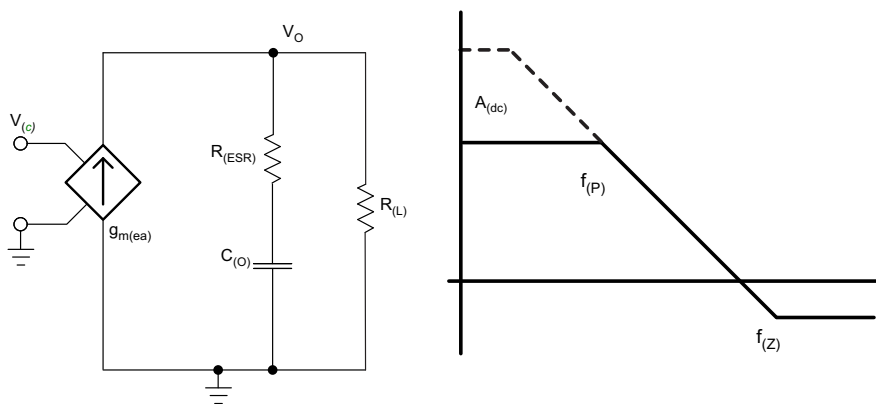
Figure 42. Small-Signal Model for Loop Response

Feature Description (continued)

7.3.17 Simplified Small-Signal Model for Peak-Current-Mode Control

Figure 43 describes a simple small-signal model for use in design of the frequency compensation. A voltage-controlled current source (duty-cycle modulator) supplying current to the output capacitor and load resistor can approximate the TPS54561-Q1 power stage. Equation 14 shows the control-to-output transfer function, which consists of a dc gain, one dominant pole, and one ESR zero. The quotient of the change in switch current and the change in COMP pin voltage (node c in Figure 42) is the power stage transconductance, $g_{m(ps)}$. The $g_{m(ps)}$ for the TPS54561-Q1 device is 17 S. The low-frequency gain of the power stage is the product of the transconductance and the load resistance as shown in Equation 15.

As the load current increases or decreases, the low-frequency gain decreases or increases, respectively. This variation with the load may seem problematic at first glance, but fortunately the dominant pole moves with the load current (see Equation 16). The dashed line in the right half of Figure 43 highlights the combined effect. As the load current decreases, the gain increases and the pole frequency lowers, keeping the 0-dB crossover frequency the same with varying load conditions. The type of output capacitor chosen determines whether the ESR zero has a profound effect on the frequency compensation design. Using high-ESR aluminum electrolytic capacitors may reduce the number of frequency compensation components needed to stabilize the overall loop, because the phase margin increases by the ESR zero of the output capacitor (see Equation 17).



Copyright © 2017, Texas Instruments Incorporated

Figure 43. Simplified Small-Signal Model and Frequency Response for Peak-Current-Mode Control

Feature Description (continued)

$$\frac{V_O}{V_{(C)}} = A_{(dc)} \times \frac{\left(1 + \frac{s}{2\pi \times f_{(Z)}}\right)}{\left(1 + \frac{s}{2\pi \times f_{(P)}}\right)} \tag{14}$$

$$A_{(dc)} = g_{m(ps)} \times R_{(L)} \tag{15}$$

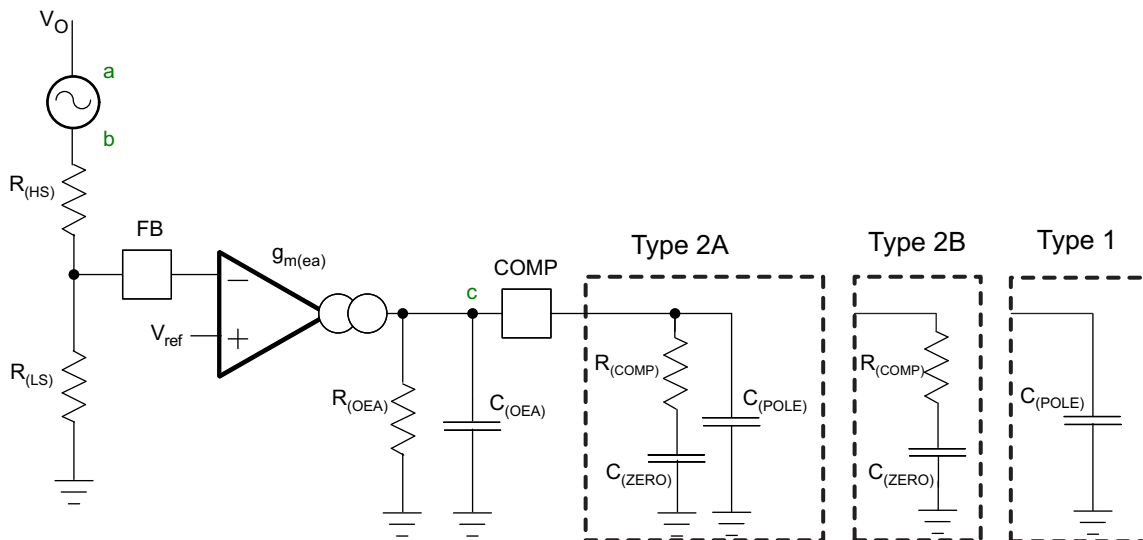
$$f_{(P)} = \frac{1}{C_{(O)} \times R_{(L)} \times 2\pi} \tag{16}$$

$$f_{(Z)} = \frac{1}{C_{(O)} \times R_{(ESR)} \times 2\pi} \tag{17}$$

7.3.18 Small-Signal Model for Frequency Compensation

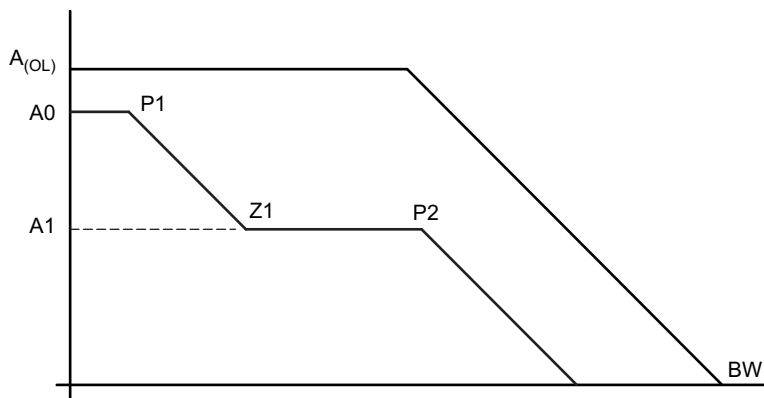
The TPS54561-Q1 uses a transconductance amplifier for the error amplifier and supports three of the commonly-used frequency-compensation circuits. Figure 44 shows compensation circuits of Type 2A, Type 2B, and Type 1. Implementation of Type 2 circuits is typically in high-bandwidth power-supply designs using low-ESR output capacitors. The Type 1 circuit is good for the power-supply designs using high-ESR aluminum electrolytic or tantalum capacitors. Equation 18 and Equation 19 relate the frequency response of the amplifier to the small-signal model in Figure 44. Modeling of the open-loop gain and bandwidth uses $R_{(OEA)}$ and $C_{(OEA)}$, as shown in Figure 44. See the application section for a design example using a Type 2A network with a low-ESR output capacitor.

This data sheet includes Equation 18 through Equation 27 as a reference. An alternative is to use WEBENCH software tools to create a design based on the power-supply requirements.



Copyright © 2016, Texas Instruments Incorporated

Figure 44. Types of Frequency Compensation

Feature Description (continued)

Figure 45. Frequency Response of the Type 2A and Type 2B Frequency Compensation

$$R_{(OEA)} = \frac{A_{(OL)}}{g_{m(ea)}} \quad (18)$$

$$C_{(OEA)} = \frac{g_{m(ea)}}{2\pi \times BW \text{ (Hz)}} \quad (19)$$

$$\frac{V_{(c)}}{V_{(b)}} = A_0 \times \frac{\left(1 + \frac{s}{2\pi \times f_{(Z1)}}\right)}{\left(1 + \frac{s}{2\pi \times f_{(P1)}}\right) \times \left(1 + \frac{s}{2\pi \times f_{(P2)}}\right)} \quad (20)$$

$$A_0 = g_{m(ea)} \times R_{(OEA)} \times \frac{R_{(LS)}}{R_{(HS)} + R_{(LS)}} \quad (21)$$

$$A_1 = g_{m(ea)} \times R_{(OEA)} \parallel R_{(COMP)} \times \frac{R_{(LS)}}{R_{(HS)} + R_{(LS)}} \quad (22)$$

$$P1 = \frac{1}{2\pi \times R_{(OEA)} \times C_{(ZERO)}} \quad (23)$$

$$Z1 = \frac{1}{2\pi \times R_{(COMP)} \times C_{(ZERO)}} \quad (24)$$

$$P2 = \frac{1}{2\pi \times R_{(OEA)} \parallel R_{(COMP)} \times (C_{(POLE)} + C_{(OEA)})} \quad \text{Type 2A} \quad (25)$$

$$P2 = \frac{1}{2\pi \times R_{(OEA)} \parallel R_{(COMP)} \times C_{(OEA)}} \quad \text{Type 2B} \quad (26)$$

$$P2 = \frac{1}{2\pi \times R_{(OEA)} \times (C_{(POLE)} + C_{(OEA)})} \quad \text{Type 1} \quad (27)$$

7.4 Device Functional Modes

7.4.1 Operation With $V_I = < 4.5\text{ V}$ (Minimum V_{DD})

TI recommends operating the TPS54561-Q1 device with input voltages above 4.5 V. The typical V_{DD} UVLO threshold is 4.3 V, and the device may operate at input voltages down to the UVLO voltage. At input voltages below the actual UVLO voltage, the device does not switch. If an external resistor divider pulls the EN pin up to V_{DD} or EN pin is floating, when V_{DD} passes the UVLO threshold the device becomes active. Switching begins, and the soft-start sequence initiates. The TPS54561-Q1 device starts at the soft-start time determined by the external capacitance on the SS/TR pin.

7.4.2 Operation With EN Control

The enable threshold voltage is 1.2 V typical. With EN held below that voltage, the device shuts down and switching stops even if V_{DD} is above its UVLO threshold. The IC quiescent current decreases in this state. After increasing the EN pin voltage above the threshold while V_{DD} is above its UVLO threshold, the device becomes active. Switching resumes and the soft-start sequence begins. The TPS54561-Q1 device starts at the soft-start time determined by the external capacitance at the SS/TR pin.

8 Application and Implementation

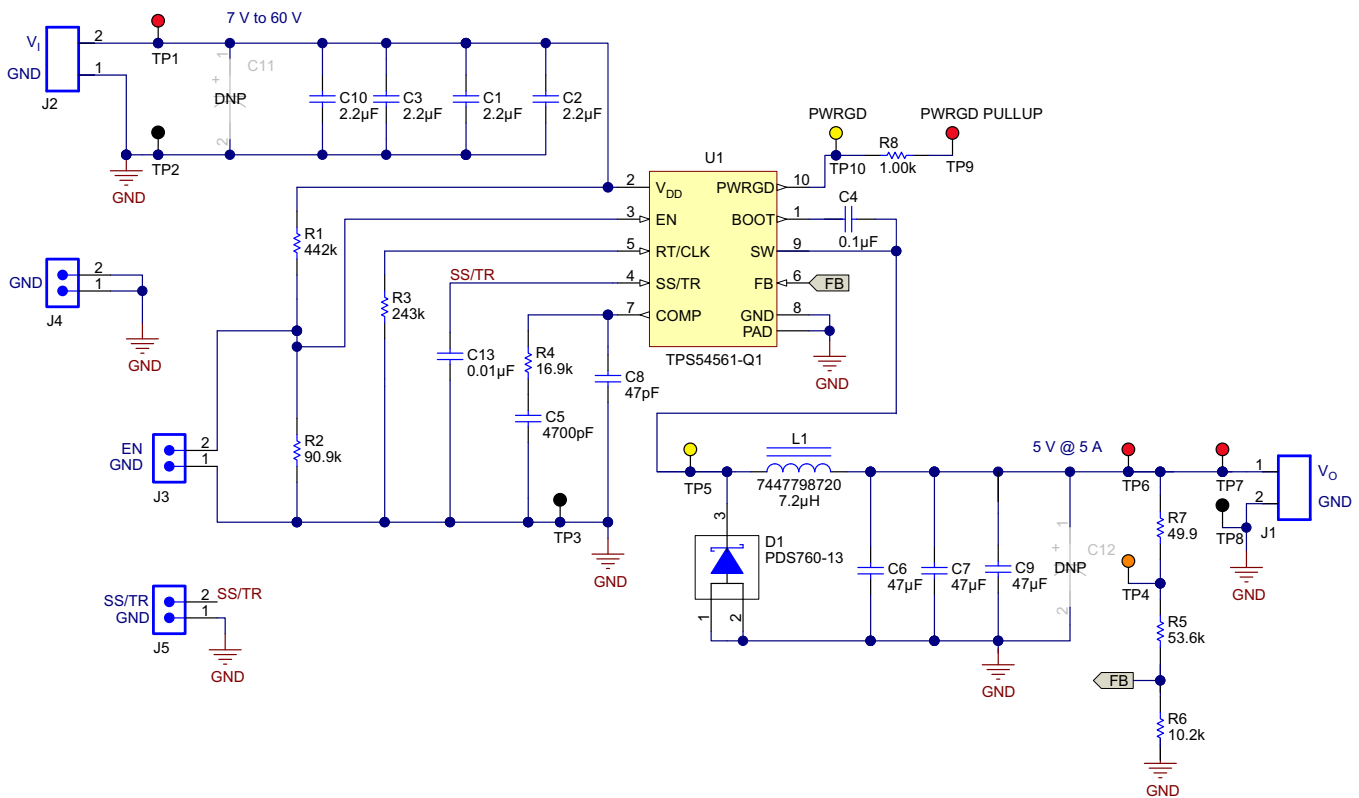
NOTE

Information in the following applications sections is not part of the TI component specification, and TI does not warrant its accuracy or completeness. TI's customers are responsible for determining suitability of components for their purposes. Customers should validate and test their design implementation to confirm system functionality.

8.1 Application Information

The TPS54561-Q1 device is a 60-V, 5-A, step-down regulator with an integrated high-side MOSFET. This device typically converts a higher dc voltage to a lower dc voltage with a maximum available output current of 5 A. Example applications are: 12-V, 24-V and 48-V industrial, automotive and communication power systems. Use the following design procedure to select component values for the TPS54561-Q1 device. This procedure illustrates the design of a high-frequency switching regulator using ceramic output capacitors. The Excel™ spreadsheet (SLVC452) located on the product page can help on all calculations. Alternatively, use the WEBENCH software to generate a complete design. The WEBENCH software uses an iterative design procedure and accesses a comprehensive database of components when generating a design. This section presents a simplified discussion of the design process.

8.2 Typical Application



Copyright © 2016, Texas Instruments Incorporated

Figure 46. 5-V Output TPS54561-Q1 Design Example

8.2.1 Design Requirements

This guide illustrates the design of a high-frequency switching regulator using ceramic output capacitors. The designer must know a few parameters in order to start the design process. Determination of these requirements is typically at the system level. This example design uses the following known parameters:

Typical Application (continued)

DESIGN PARAMETER	EXAMPLE VALUE
Output voltage (V_O)	5 V
Transient response, 1.25-A to 3.75-A load step	$\Delta V_O = \pm 4\%$
Maximum output current (I_O)	5 A
Input voltage (V_I)	12 V nominal, 7 V to 60 V
Output voltage ripple ($V_{O(RIPPLE)}$)	0.5% of V_O
Start input voltage (rising V_I)	6.5 V
Stop input voltage (falling V_I)	5 V

8.2.2 Detailed Design Procedure

8.2.2.1 Custom Design with WEBENCH® Tools

Click [here](#) to create a custom design using the TPS54561-Q1 device with the WEBENCH® Power Designer.

1. Start by entering your V_{IN} , V_{OUT} , and I_{OUT} requirements.
2. Optimize your design for key parameters like efficiency, footprint and cost using the optimizer dial and compare this design with other possible solutions from Texas Instruments.
3. The WEBENCH Power Designer provides you with a customized schematic along with a list of materials with real time pricing and component availability.
4. In most cases, you will also be able to:
 - Run electrical simulations to see important waveforms and circuit performance
 - Run thermal simulations to understand the thermal performance of your board
 - Export your customized schematic and layout into popular CAD formats
 - Print PDF reports for the design, and share your design with colleagues
5. Get more information about WEBENCH tools at www.ti.com/WBENCH.

8.2.2.2 Selecting the Switching Frequency

The first step is to choose a switching frequency for the regulator. Typically, the designer uses the highest switching frequency possible because this produces the smallest solution size. High switching frequency allows for lower-value inductors and smaller output capacitors compared to a power supply that switches at a lower frequency. Several factors including the minimum controllable on-time of the internal power switch, the input voltage, the output voltage, and the frequency-foldback protection limit the switching frequency that the designer can select.

Use [Equation 12](#) and [Equation 13](#) to calculate the upper limit of the switching frequency for the regulator. Choose the lower-value result from the two equations. Switching frequencies higher than these values result in pulse-skipping or the lack of overcurrent protection during a short circuit.

The typical minimum controllable on-time, $t_{(ON)}$, is 100 ns for the TPS54561-Q1 device. For this example, the output voltage is 5 V and the maximum input voltage is 60 V, which allows for a maximum switch frequency up to 955 kHz to avoid pulse skipping from [Equation 28](#). To ensure overcurrent runaway is not a concern during short circuits, use [Equation 29](#) to determine the maximum switching frequency for frequency foldback protection. With a maximum input voltage of 60 V, assuming a diode voltage of 0.7 V, inductor resistance of 11 m Ω , switch resistance of 87 m Ω , a current limit value of 6 A, and short-circuit output voltage of 0.1 V, the maximum switching frequency is 1151 kHz.

For this design, choose a lower switching frequency of 400 kHz to operate comfortably below the calculated maximums. To determine the timing resistance for a given switching frequency, use [Equation 10](#), or the curve in [Figure 6](#), or the curve in [Figure 7](#). Resistor R3 sets the switching frequency shown in [Figure 46](#). For 400-kHz operation, the closest standard value resistor is 243 k Ω .

$$f_{(SW_skip)}^{max} = \frac{1}{100 \text{ ns}} \times \left(\frac{5 \text{ A} \times 11 \text{ m}\Omega + 5 \text{ V} + 0.7 \text{ V}}{60 \text{ V} - 5 \text{ A} \times 87 \text{ m}\Omega + 0.7 \text{ V}} \right) = 955 \text{ kHz} \quad (28)$$

$$f_{(SW_shift)} = \frac{8}{100 \text{ ns}} \times \left(\frac{6 \text{ A} \times 11 \text{ m}\Omega + 0.1 \text{ V} + 0.7 \text{ V}}{60 \text{ V} - 6 \text{ A} \times 87 \text{ m}\Omega + 0.7 \text{ V}} \right) = 1151 \text{ kHz} \quad (29)$$

$$R_T \text{ (k}\Omega) = \frac{101756}{400 \text{ (kHz)}^{1.008}} = 242 \text{ k}\Omega \quad (30)$$

8.2.2.3 Output Inductor Selection ($L_{(O)}$)

To calculate the minimum value of the output inductor, use [Equation 31](#).

$k_{(IND)}$ is a ratio that represents the amount of inductor ripple current relative to the maximum output current. The output capacitor filters the inductor ripple current. Therefore, choosing high inductor ripple currents impacts the selection of the output capacitor, because the output capacitor must have a ripple current rating equal to or greater than the inductor ripple current. In general, the inductor ripple value is at the discretion of the designer. However, the designer may use the following guidelines.

For designs using low-ESR output capacitors such as ceramics, a value as high as $k_{(IND)} = 0.3$ may be desirable. When using higher-ESR output capacitors, $k_{(IND)} = 0.2$ yields better results. Because the inductor ripple current is part of the current-mode PWM control system, the inductor ripple current should always be greater than 150 mA for stable PWM operation. In a wide-input voltage regulator, choosing a relatively large inductor ripple current is best to provide sufficient ripple current with the input voltage at the minimum.

For this design example, $k_{(IND)} = 0.3$ and the calculated inductor value is 7.6 μH . The nearest standard value is 7.2 μH . It is important not to exceed both the rms current and saturation-current ratings of the inductor. [Equation 33](#) and [Equation 34](#) calculate the rms and peak inductor current. For this design, the rms inductor current is 5.021 A and the peak inductor current is 5.817 A. The chosen inductor has an rms current rating of 6 A and a saturation current rating of 7.9 A.

As the equation set demonstrates, lowering ripple currents reduces the output voltage ripple of the regulator but requires a larger value of inductance. Selecting higher ripple currents increases the output-voltage ripple of the regulator but allows for a lower inductance value.

The current flowing through the inductor is the inductor ripple current plus the output current. During power up, faults, or transient load conditions, the inductor current can increase above the peak inductor current level calculated previously. In transient conditions, the inductor current can increase up to the switch-current limit of the device. For this reason, the most-conservative design approach is to choose an inductor with a saturation current rating equal to or greater than the switch-current limit of the TPS54561-Q1 device, which is nominally 7.5 A.

$$L_{(O)\text{min}} = \left(\frac{V_I \text{ max} - V_O}{I_O \times K_{(IND)}} \right) \times \left(\frac{V_O}{V_I \text{ max} \times f_{(SW)}} \right) = \left(\frac{60 \text{ V} - 5 \text{ V}}{5 \text{ A} \times 0.3} \right) \times \left(\frac{5 \text{ V}}{60 \text{ V} \times 400 \text{ kHz}} \right) = 7.6 \mu\text{H} \quad (31)$$

$$I_{(RIPPLE)} = \frac{V_O \times (V_I \text{ max} - V_O)}{V_I \text{ max} \times L_{(O)} \times f_{(SW)}} = \frac{5 \text{ V} \times (60 \text{ V} - 5 \text{ V})}{60 \text{ V} \times 7.2 \mu\text{H} \times 400 \text{ kHz}} = 1.591 \text{ A} \quad (32)$$

$$I_{(L)\text{RMS}} = \sqrt{\left(I_O \right)^2 + \frac{1}{12} \times \left(\frac{V_O \times (V_I \text{ max} - V_O)}{V_I \text{ max} \times L_{(O)} \times f_{(SW)}} \right)^2} = \sqrt{\left(5 \text{ A} \right)^2 + \frac{1}{12} \times \left(\frac{5 \text{ V} \times (60 \text{ V} - 5 \text{ V})}{60 \text{ V} \times 7.2 \mu\text{H} \times 400 \text{ kHz}} \right)^2} = 5.021 \text{ A} \quad (33)$$

$$I_{(L)\text{peak}} = I_O + \frac{I_{(RIPPLE)}}{2} = 5.021 \text{ A} + \frac{1.591 \text{ A}}{2} = 5.817 \text{ A} \quad (34)$$

8.2.2.4 Output Capacitor

There are three primary considerations for selecting the value of the output capacitor. The output capacitor determines the modulator pole, the output voltage ripple, and the regulator response to a large change in load current. It is necessary to select the output capacitance based on the most-stringent of these three criteria.

The desired response to a large change in the load current is the first criterion. The output capacitor must supply the increased load current until the regulator responds to the load step. The regulator does not respond immediately to a large, fast increase in the load current such as transitioning from no load to a full load. The regulator usually needs two or more clock cycles for the control loop to sense the change in output voltage and adjust the peak switch current in response to the higher load. The output capacitance must be large enough to supply the difference in current for two clock cycles to maintain the output voltage within the specified range. Equation 35 shows the minimum output capacitance necessary, where ΔI_O is the change in output current, $f_{(sw)}$ is the regulator switching frequency, and ΔV_O is the allowable change in the output voltage. For this example, the transient load response specification is 4% change in V_O for a load step from 1.25 A to 3.75 A. Therefore, ΔI_O is 3.75 A – 1.25 A = 2.5 A, and $\Delta V_O = 4\% \times 5 \text{ V} = 0.2 \text{ V}$. Using these numbers gives a minimum capacitance of 62.5 μF . This value does not take the ESR of the output capacitor into account in the output voltage change. For ceramic capacitors, the ESR is usually small enough to ignore. Aluminum electrolytic and tantalum capacitors have higher ESR, and load-step calculations must include the ESR term.

Sizing of the output capacitor must be such as to absorb energy stored in the inductor when transitioning from a high to low load current. The catch diode of the regulator cannot sink current, so energy stored in the inductor can produce an output voltage overshoot when the load current rapidly decreases. Figure 51 shows a typical load-step response. The excess energy absorbed in the output capacitor increases the voltage on the capacitor. Sizing of the capacitor must be such as to maintain the desired output voltage during these transient periods. Equation 36 calculates the minimum capacitance required to keep the output voltage overshoot to a desired value, where $L_{(O)}$ is the value of the inductor, I_{OH} is the output current under heavy load, I_{OL} is the output under light load, V_P is the peak output voltage, and $V_{(int)}$ is the initial voltage. For this example, the worst-case load step is from 3.75 A to 1.25 A. The output voltage increases during this load transition, and the stated maximum in our specification is 4% of the output voltage. This makes $V_{(P)} = 1.04 \times 5 \text{ V} = 5.2 \text{ V}$. $V_{(int)}$ is the initial capacitor voltage which is the nominal output voltage of 5 V. Using these numbers in Equation 36 yields a minimum capacitance of 44.1 μF .

Equation 37 calculates the minimum output capacitance needed to meet the output-voltage ripple specification, where $f_{(sw)}$ is the switching frequency, $V_{O(RIPPLE)}$ is the maximum allowable output voltage ripple, and $I_{O(RIPPLE)}$ is the inductor ripple current. Equation 37 yields 19.9 μF .

Equation 38 calculates the maximum ESR an output capacitor can have to meet the output voltage ripple specification. Equation 38 indicates the ESR should be less than 15.7 m Ω .

The most stringent criterion for the output capacitor is 62.5 μF , required to maintain the output voltage within regulation tolerance during a load transient.

Capacitance de-ratings for aging, temperature, and dc bias increase this minimum value. For this example, the selection is three 47- μF , 10-V ceramic capacitors with 5 m Ω of ESR. The derated capacitance is 87.4 μF , well above the minimum required capacitance of 62.5 μF .

Capacitors generally have a maximum ripple-current rating. Filtering a ripple current equal to or below that maximum ripple current does not degrade capacitor reliability. Some capacitor data sheets specify the root-mean-square (rms) value of the maximum ripple current. Use Equation 39 to calculate the rms ripple current that the output capacitor must support. For this example, Equation 39 yields 459 mA.

$$C_{(O)} > \frac{2 \times \Delta I_O}{f_{(sw)} \times \Delta V_O} = \frac{2 \times 2.5 \text{ A}}{400 \text{ kHz} \times 0.2 \text{ V}} = 62.5 \mu\text{F} \quad (35)$$

$$C_{(O)} > L_{(O)} \times \frac{\left((I_{OH})^2 - (I_{OL})^2 \right)}{\left((V_{(P)})^2 - (V_{(int)})^2 \right)} = 7.2 \mu\text{H} \times \frac{\left((3.75 \text{ A})^2 - (1.25 \text{ A})^2 \right)}{\left((5.2 \text{ V})^2 - (5 \text{ V})^2 \right)} = 44.1 \mu\text{F} \quad (36)$$

$$C_{(O)} > \frac{1}{8 \times f_{(SW)}} \times \frac{1}{\left(\frac{V_{O(RIPPLE)}}{I_{O(RIPPLE)}} \right)} = \frac{1}{8 \times 400 \text{ kHz}} \times \frac{1}{\left(\frac{25 \text{ mV}}{1.591 \text{ A}} \right)} = 19.9 \text{ } \mu\text{F} \quad (37)$$

$$R_{(ESR)} < \frac{V_{O(RIPPLE)}}{I_{O(RIPPLE)}} = \frac{25 \text{ mV}}{1.591 \text{ A}} = 15.7 \text{ m}\Omega \quad (38)$$

$$I_{(CO)}^{\text{RMS}} = \frac{V_O \times (V_I \text{ min} - V_O)}{\sqrt{12} \times V_I \text{ min} \times L_{(O)} \times f_{(SW)}} = \frac{5 \text{ V} \times (60 \text{ V} - 5 \text{ V})}{\sqrt{12} \times 60 \text{ V} \times 7.2 \text{ } \mu\text{H} \times 400 \text{ kHz}} = 459 \text{ mA} \quad (39)$$

8.2.2.5 Catch Diode

The TPS54561-Q1 device requires an external catch diode between the SW pin and GND. The selected diode must have a reverse voltage rating equal to or greater than maximum input voltage. The peak current rating of the diode must be greater than the maximum inductor current. Schottky diodes are typically a good choice for the catch diode because of the low forward voltage of these diodes. The lower the forward voltage of the diode, the higher the efficiency of the regulator.

Typically, diodes with higher voltage and current ratings have higher forward voltages. A diode with a minimum of 60-V reverse voltage is preferable, to allow input voltage transients up to the rated voltage of the TPS54561-Q1 device.

For the example design, select the Schottky diode for its lower forward voltage and good thermal characteristics compared to smaller devices. The typical forward voltage of the diode is 0.52 V at 5 A.

One must select the diode with an appropriate power rating. The diode conducts the output current during the off-time of the internal power switch. The off-time of the internal switch is a function of the maximum input voltage, the output voltage, and the switching frequency. Multiplying the output current during the off-time with the forward voltage of the diode can calculate the instantaneous conduction losses of the diode. At higher switching frequencies, take the ac losses of the diode into account. The ac losses of the diode are because of the charging and discharging of the junction capacitance, and also of reverse-recovery charge. Use [Equation 40](#) to calculate the total power dissipation, including conduction losses and ac losses of the diode.

The selected diode has a junction capacitance of 180 pF. Using [Equation 40](#) with the nominal input voltage of 12 V, the total loss in the diode is 1.65 W.

If the power supply spends a significant amount of time at light load currents or in sleep mode, consider using a diode which has a low leakage current and slightly higher forward voltage drop.

$$P_{(D)} = \frac{(V_I - V_O) \times I_O \times V_{(d)}}{V_I} + \frac{C_{(j)} \times f_{(SW)} \times (V_I + V_{(d)})^2}{2} = \frac{(12 \text{ V} - 5 \text{ V}) \times 5 \text{ A} \times 0.52 \text{ V}}{12 \text{ V}} + \frac{180 \text{ pF} \times 400 \text{ kHz} \times (12 \text{ V} + 0.52 \text{ V})^2}{2} = 1.65 \text{ W} \quad (40)$$

8.2.2.6 Input Capacitor

The TPS54561-Q1 device requires a high-quality ceramic type X5R or X7R input decoupling capacitor with at least 3 μF of effective capacitance. Some applications benefit from additional bulk capacitance. The effective capacitance includes any loss of capacitance because of dc bias effects. The voltage rating of the input capacitor must be greater than the maximum input voltage. The capacitor must also have a ripple-current rating greater than the maximum input current ripple of the TPS54561-Q1 device. Use [Equation 41](#) to calculate the input ripple current.

The value of a ceramic capacitor varies significantly with temperature and the dc bias applied to the capacitor. Selecting a dielectric material that is more stable over temperature can minimize the capacitance variations because of temperature. The usual selection for capacitors in a switching regulator is X5R or X7R ceramic dielectric, because they have a high capacitance-to-volume ratio and are fairly stable over temperature. The input capacitor selection must also consider the dc bias. The effective value of a capacitor decreases as the dc bias across a capacitor increases.

This example design requires a ceramic capacitor with at least a 60-V voltage rating to support the maximum input voltage. Common standard ceramic capacitor voltage ratings include 4 V, 6.3 V, 10 V, 16 V, 25 V, 50 V or 100 V. For this example, use four 2.2- μ F, 100-V capacitors in parallel.

The input capacitance value determines the input ripple voltage of the regulator. Use [Equation 42](#) to calculate the input voltage ripple. Using the design example values, $I_O = 5$ A, $C_{(I)} = 8.8$ μ F, $f_{(SW)} = 400$ kHz, yields an input voltage ripple of 355 mV and an rms input ripple current of 2.26 A.

$$I_{(CI)RMS} = I_O \times \sqrt{\frac{V_O}{V_{Imin}} \times \left(\frac{V_{Imin} - V_O}{V_{Imin}} \right)} = 5 \text{ A} \times \sqrt{\frac{5 \text{ V}}{7 \text{ V}} \times \left(\frac{7 \text{ V} - 5 \text{ V}}{7 \text{ V}} \right)} = 2.26 \text{ A} \quad (41)$$

$$\Delta V_I = \frac{I_O \times 0.25}{C_{(I)} \times f_{(SW)}} = \frac{5 \text{ A} \times 0.25}{8.8 \mu\text{F} \times 400 \text{ kHz}} = 355 \text{ mV} \quad (42)$$

8.2.2.7 Soft-Start Capacitor

The soft-start capacitor determines the minimum amount of time for the output voltage to reach its nominal programmed value during power up. This is useful if a load requires a controlled voltage slew rate. Adjustable soft-start is also useful if the output capacitance is large and would require large amounts of current to charge the capacitor quickly to the output-voltage level. The large currents necessary to charge the output capacitor may make the TPS54561-Q1 device reach the current limit, or the excessive current draw from the input power supply may cause the input voltage rail to sag. Limiting the output-voltage slew rate solves both of these problems.

The soft-start time must be long enough to allow the regulator to charge the output capacitor up to the output voltage without drawing excessive current. Use [Equation 43](#) to find the minimum soft-start time, $t_{(SS)}$, necessary to charge the output capacitor, $C_{(O)}$, from 10% to 90% of the output voltage, V_O , with an typical soft-start current of $I_{(SS)}$. In the example, to charge the effective output capacitance of 87.4 μ F up to 5 V with an average current of 1 A requires a 0.3-ms soft-start time.

After selecting the soft-start time, calculate the soft-start capacitor value by using [Equation 5](#). For the example circuit, the soft-start time is not too critical, because the output capacitor value is 3×47 μ F, which does not require much current to charge to 5 V. The example circuit has the soft-start time set to an arbitrary value of 3.5 ms, which requires a 9.3-nF soft-start capacitor, as calculated by [Equation 44](#). For this design, use the next-larger standard value of 10 nF.

$$t_{(SS)} > \frac{C_{(O)} \times V_O \times 0.8}{I_{(SS)}} \quad (43)$$

$$C13 = \frac{t_{(SS)} \text{ (ms)} \times I_{(SS)} \text{ (\mu A)}}{V_{ref} \text{ (V)} \times 0.8} = \frac{3.5 \text{ ms} \times 1.7 \mu\text{A}}{0.8 \text{ V} \times 0.8} = 9.3 \text{ nF} \quad (44)$$

8.2.2.8 Bootstrap Capacitor Selection

The TPS54561-Q1 device requires a 0.1- μ F ceramic capacitor connected between the BOOT and SW pins for proper operation. The recommendation is a ceramic capacitor with X5R or better grade dielectric. The capacitor should have a 10-V or higher voltage rating.

8.2.2.9 Undervoltage Lockout Set Point

Using an external voltage divider on the EN pin of the TPS54561-Q1 device can adjust the undervoltage lockout (UVLO). The UVLO has two thresholds, one for power up when the input voltage is rising and the other for power down when the input voltage is falling. For the example design, the TPS54561-Q1 device should turn on and start switching once the input voltage increases above 6.5 V (UVLO start). After the regulator starts switching, it should continue to do so until the input voltage falls below 5 V (UVLO stop).

A resistor divider consisting of $R_{(UVLO1)}$ and $R_{(UVLO2)}$ between V_I and ground, and connected to the EN pin, can set programmable UVLO threshold voltage. Equation 3 and Equation 4 calculate the resistance values necessary. For the example application, a 442-k Ω resistor between V_I and EN (R_1) and a 90.9-k Ω resistor between EN and ground (R_2) are required to produce the 6.5-V start and 5-V stop voltages.

$$R_1 = \frac{V_{(START)} - V_{(STOP)}}{I_{(HYS)}} = \frac{6.5 \text{ V} - 5 \text{ V}}{3.4 \mu\text{A}} = 441.18 \text{ k}\Omega \quad (45)$$

$$R_2 = \frac{V_{(EN)th}}{\frac{V_{(START)} - V_{(EN)th}}{R_{(UVLO1)}} + I_{(1)}} = \frac{1.2 \text{ V}}{\frac{6.5 \text{ V} - 1.2 \text{ V}}{442 \text{ k}\Omega} + 1.2 \mu\text{A}} = 90.97 \text{ k}\Omega \quad (46)$$

8.2.2.10 Output Voltage and Feedback Resistor Selection

The voltage divider of R_5 and R_6 sets the output voltage. For the example design, select 10.2 k Ω for R_6 . Use Equation 2 to calculate R_5 as 53.55 k Ω . The nearest standard 1% resistor is 53.6 k Ω . Because of the input current of the FB pin, the current flowing through the feedback network should be greater than 1 μA to maintain the output voltage accuracy. A value for R_6 of less than 800 k Ω satisfies this requirement. Choosing higher resistor values decreases quiescent current and improves efficiency at low output currents but may also introduce noise immunity problems.

$$R_5 = R_6 \times \left(\frac{V_O - 0.8 \text{ V}}{0.8 \text{ V}} \right) = 10.2 \text{ k}\Omega \times \left(\frac{5 \text{ V} - 0.8 \text{ V}}{0.8 \text{ V}} \right) = 53.55 \text{ k}\Omega \quad (47)$$

8.2.2.11 Compensation

There are several methods to design compensation for dc-dc regulators. The method presented here is easy to calculate and ignores the effects of the slope compensation that is internal to the device. Ignoring the slope compensation causes the actual crossover frequency to be lower than the crossover frequency used in the calculations. This method assumes the crossover frequency is between the modulator pole and the ESR zero and the ESR zero is at least 10 times greater the modulator pole.

To get started, calculate the modulator pole, $f_{(P,mod)}$, and the ESR zero, $f_{(Z,mod)}$ using Equation 48 and Equation 49. For output capacitance $C_{(O)}$, use a derated value of 87.4 μF . Use equations Equation 50 and Equation 51 to estimate a starting point for the crossover frequency, $f_{(CO)}$. For the example design, $f_{(P,mod)}$ is 1821 Hz and $f_{(Z,mod)}$ is 1090 kHz. Equation 50 is the geometric mean of the modulator pole and the ESR zero, and Equation 51 is the geometric mean of modulator pole and half of the switching frequency. Equation 50 yields 44.6 kHz and Equation 51 gives 19.1 kHz. Use the geometric mean value of Equation 50 and Equation 51 for an initial crossover frequency which is 29.2 kHz. For this example, the target crossover frequency is 30 kHz for an improved transient response.

Next, calculate the compensation components. Use of a resistor in series with a capacitor creates a compensating zero. A capacitor in parallel with these two components forms the compensating pole.

$$f_{(P,mod)} = \frac{I_O \text{ max}}{2\pi \times V_O \times C_{(O)}} = \frac{5 \text{ A}}{2\pi \times 5 \text{ V} \times 87.4 \mu\text{F}} = 1821 \text{ Hz} \quad (48)$$

$$f_{(Z,mod)} = \frac{1}{2\pi \times R_{(ESR)} \times C_{(O)}} = \frac{1}{2\pi \times 1.67 \text{ m}\Omega \times 87.4 \mu\text{F}} = 1090 \text{ kHz} \quad (49)$$

$$f_{(CO1)} = \sqrt{f_{(P,mod)} \times f_{(Z,mod)}} = \sqrt{1821 \text{ Hz} \times 1090 \text{ kHz}} = 44.6 \text{ kHz} \quad (50)$$

$$f_{(CO2)} = \sqrt{f_{(P,mod)} \times \frac{f_{(SW)}}{2}} = \sqrt{1821 \text{ Hz} \times \frac{400 \text{ kHz}}{2}} = 19.1 \text{ kHz} \quad (51)$$

To determine the compensation resistor, R4, use Equation 52. Assume the power stage transconductance, $g_{m(ps)}$, is 17 S. The output voltage V_O , reference voltage V_{ref} , and amplifier transconductance $g_{m(ea)}$, are 5 V, 0.8 V and 350 μ S, respectively. Calculated the value for R4 as 16.84 k Ω , and then select a standard value of 16.9 k Ω . Use Equation 53 to set the compensation zero to the modulator pole frequency. Equation 53 yields 5172 pF for compensating capacitor C5. The selection for this design is 4700 pF.

$$R4 = \left(\frac{2\pi \times f_{(CO)} \times C_{(O)}}{g_{m(ps)}} \right) \times \left(\frac{V_O}{V_{ref} \times g_{m(ea)}} \right) = \left(\frac{2\pi \times 29.2 \text{ kHz} \times 87.4 \text{ }\mu\text{F}}{17 \text{ S}} \right) \times \left(\frac{5 \text{ V}}{0.8 \text{ V} \times 350 \text{ }\mu\text{S}} \right) = 16.84 \text{ k}\Omega \quad (52)$$

$$C5 = \frac{1}{2\pi \times R4 \times f_{(P,mod)}} = \frac{1}{2\pi \times 16.9 \text{ k}\Omega \times 1821 \text{ Hz}} = 5172 \text{ pF} \quad (53)$$

If desired, implement a compensation pole by adding capacitor C8 in parallel with the series combination of R4 and C5. Use the larger value calculated from Equation 54 and Equation 55 for C8 to set the compensation pole. The selected value of C8 is 47 pF for this example design.

$$C8 = \frac{C_{(O)} \times R_{(ESR)}}{R4} = \frac{87.4 \text{ }\mu\text{F} \times 1.67 \text{ m}\Omega}{16.9 \text{ k}\Omega} = 8.64 \text{ pF} \quad (54)$$

$$C8 = \frac{1}{\pi \times R4 \times f_{(SW)}} = \frac{1}{\pi \times 16.9 \text{ k}\Omega \times 400 \text{ kHz}} = 47.1 \text{ pF} \quad (55)$$

8.2.2.12 Discontinuous Conduction Mode and Eco-mode Boundary

With an input voltage of 12 V, the example design enters discontinuous-conduction mode when the output current is less than 408 mA. The power supply enters Eco-mode when the output current is lower than 25.3 mA. The input current draw is 257 μ A with no load.

8.2.2.13 Power Dissipation Estimate

The following formulas show how to estimate the TPS54561-Q1 device power dissipation under continuous conduction mode (CCM) operation. These equations are not suitable if the device operates in discontinuous conduction mode (DCM).

The power dissipation of the IC includes conduction loss ($P_{(COND)}$), switching loss ($P_{(SW)}$), gate drive loss ($P_{(G)}$) and supply current loss ($P_{(Q)}$). Example calculations are shown with the 12-V nominal input voltage of the example design.

1. Conduction loss

$$P_{(COND)} = (I_O)^2 \times r_{DS(on)} \times \left(\frac{V_O}{V_I} \right) = 5 \text{ A}^2 \times 87 \text{ m}\Omega \times \left(\frac{5 \text{ V}}{12 \text{ V}} \right) = 0.906 \text{ W}$$

where

- I_O is the output current (A)
 - $r_{DS(on)}$ is the on-resistance of the high-side MOSFET (Ω)
 - V_O is the output voltage (V)
 - V_I is the input voltage (V)
- (56)

2. Switching loss

$$P_{(SW)} = V_I \times f_{(SW)} \times I_O \times t_r = 12 \text{ V} \times 400 \text{ kHz} \times 5 \text{ A} \times 4.9 \text{ ns} = 0.118 \text{ W}$$

where

- $f_{(SW)}$ is the switching frequency (Hz)
 - t_r is the SW pin voltage rise time, estimated by $t_r = V_{DD} \text{ (V)} \times 0.16 \text{ (ns/V)} + 3 \text{ (ns)}$
- (57)

3. Gate drive loss

$$P_{(G)} = V_I \times Q_g \times f_{(SW)} = 12 \text{ V} \times 3 \text{ nC} \times 400 \text{ kHz} = 0.014 \text{ W}$$

where

- Q_g is the total gate charge of the internal MOSFET
- (58)

4. Quiescent current loss

$$P_{(Q)} = V_I \times I_Q = 12 \text{ V} \times 152 \text{ }\mu\text{A} = 0.0018 \text{ W}$$

where

- I_Q is the operating nonswitching supply current
- (59)

Therefore,

$$P_{(tot)} = P_{(COND)} + P_{(SW)} + P_{(G)} + P_{(Q)} = 0.906 \text{ W} + 0.118 \text{ W} + 0.014 \text{ W} + 0.0018 \text{ W} = 1.040 \text{ W}$$
(60)

For given T_A ,

$$T_J = T_A + R_{\theta JA} \times P_{(tot)}$$

where

- T_J is the junction temperature ($^{\circ}\text{C}$)
 - T_A is the ambient temperature ($^{\circ}\text{C}$)
 - $R_{\theta JA}$ is the thermal resistance of the package ($^{\circ}\text{C/W}$)
 - $P_{(tot)}$ is the total device power dissipation (W)
- (61)

For given $T_{Jmax} = 150^{\circ}\text{C}$

$$T_A \text{ max} = T_{Jmax} - R_{\theta JA} \times P_{(tot)}$$

where

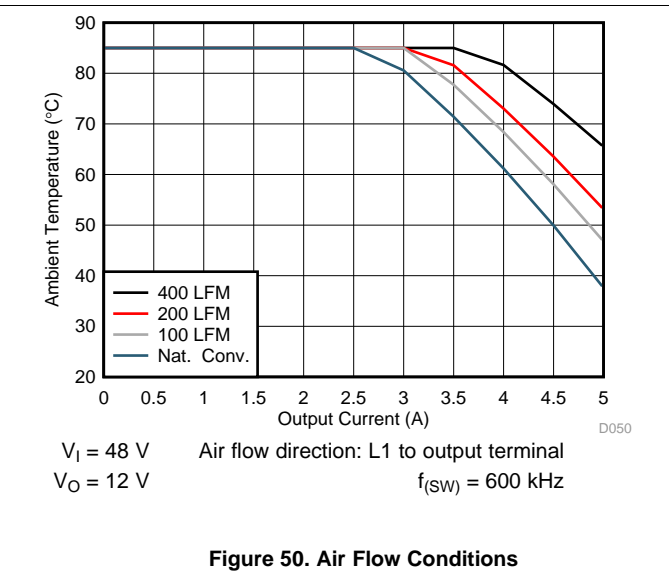
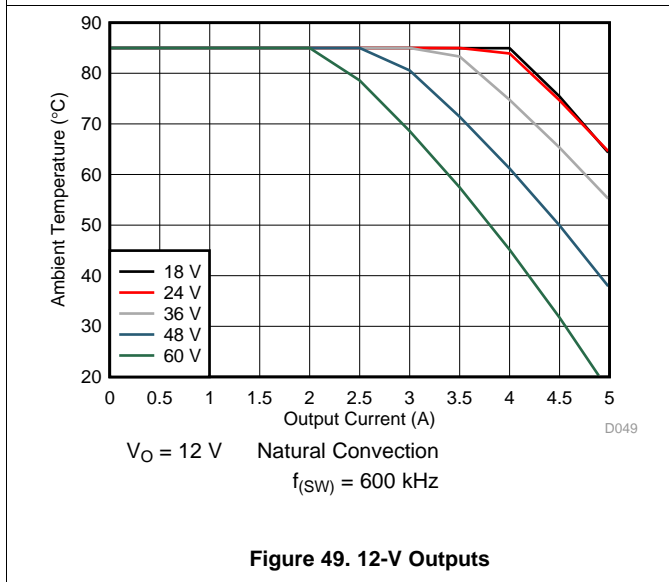
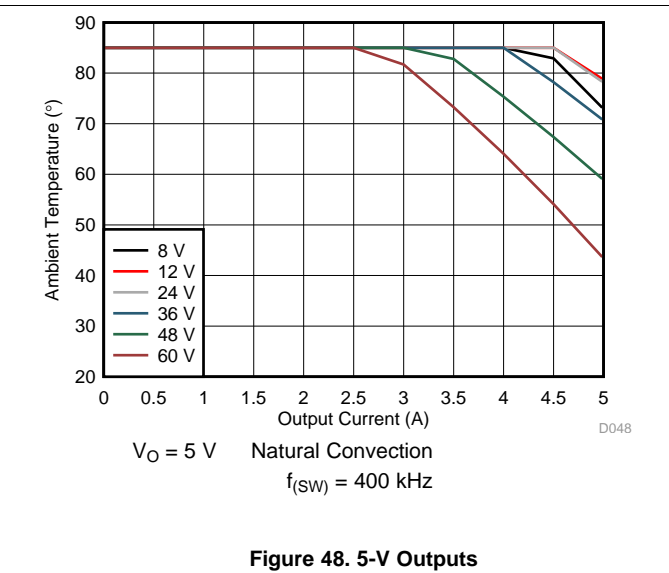
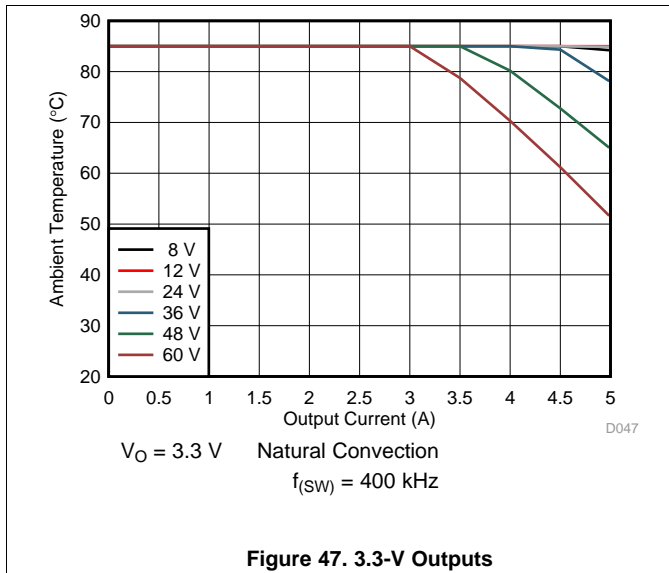
- T_{Amax} is maximum ambient temperature ($^{\circ}\text{C}$)
 - T_{Jmax} is maximum junction temperature ($^{\circ}\text{C}$)
- (62)

Additional power losses occur in the regulator circuit because of the inductor ac and dc losses, the catch diode and PCB trace resistance. All of these losses impact the overall efficiency of the regulator.

8.2.3 Safe Operating Area

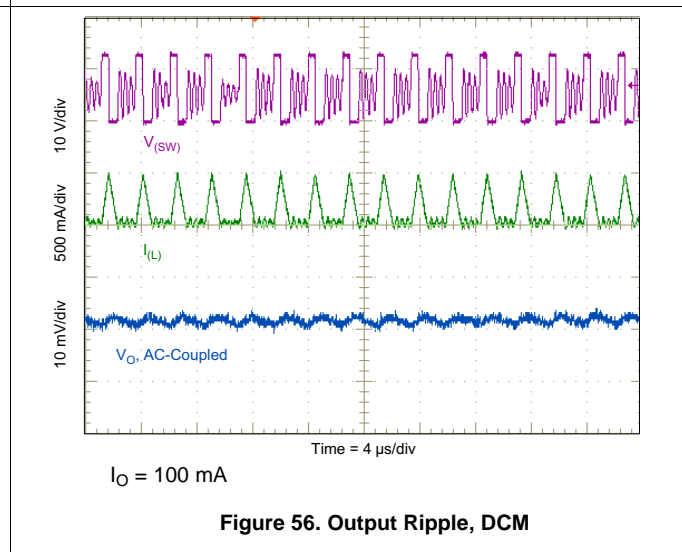
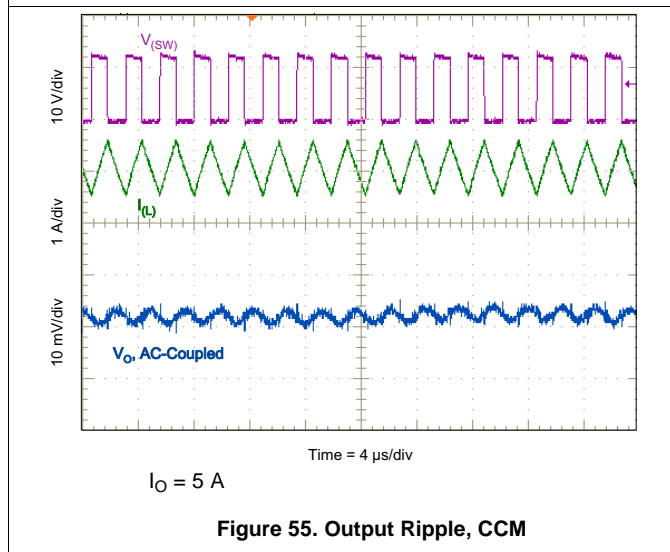
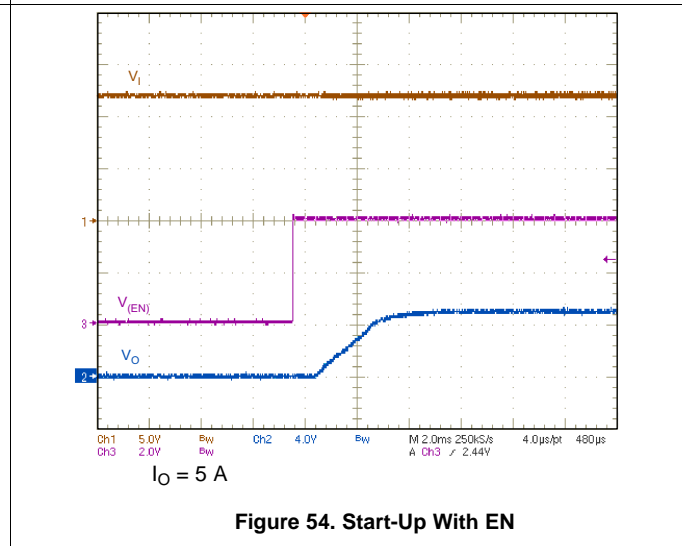
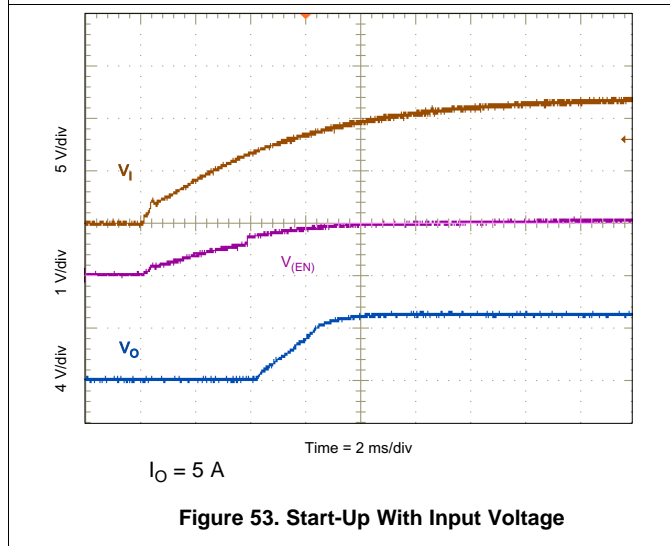
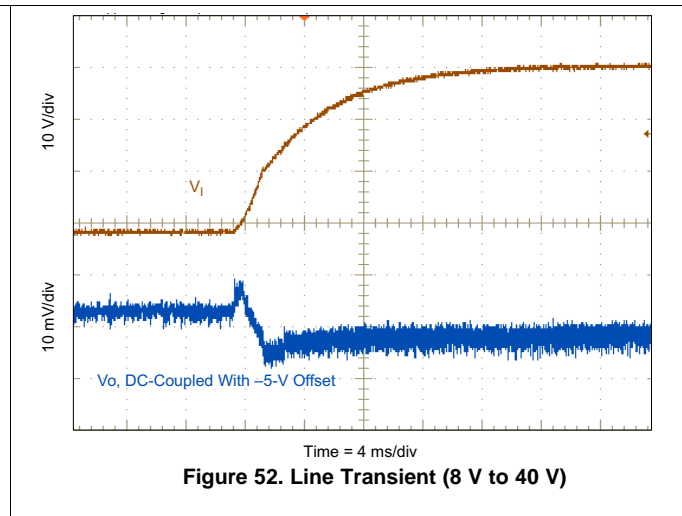
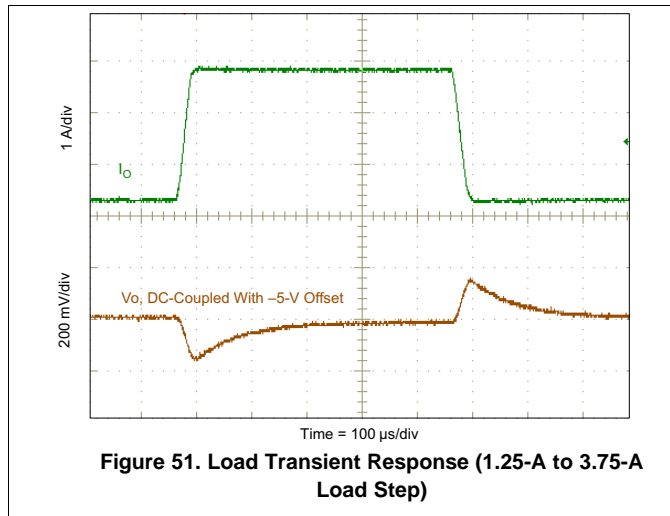
Figure 47 through Figure 50 show the safe operating area (SOA) of the device for 3.3-V, 5-V, and 12-V outputs and varying amounts of forced air flow applications. The temperature derating curves represent the conditions at which the TPS54561-Q1 device, PCB and the output Inductor are at or below the manufacturer’s maximum operating temperatures. Figure 47, through Figure 50 doesn't consider the impact from the catch diode thermal performance. For higher reliability, TI uses 125 °C as the temperature limit for TPS54561-Q1 device on Figure 47, through Figure 50. Derating limits apply to devices soldered directly to a double-sided PCB with 2 oz. copper, similar to the board on TPS54561EVM-555 evaluation module.

Pay careful attention to the other components chosen for the design, especially the catch diode. In most applications, the catch diode limits the thermal performance. When operating at high duty cycles or at a higher switching frequency, the thermal performance of the TPS54561-Q1 device can become the limiting factor.

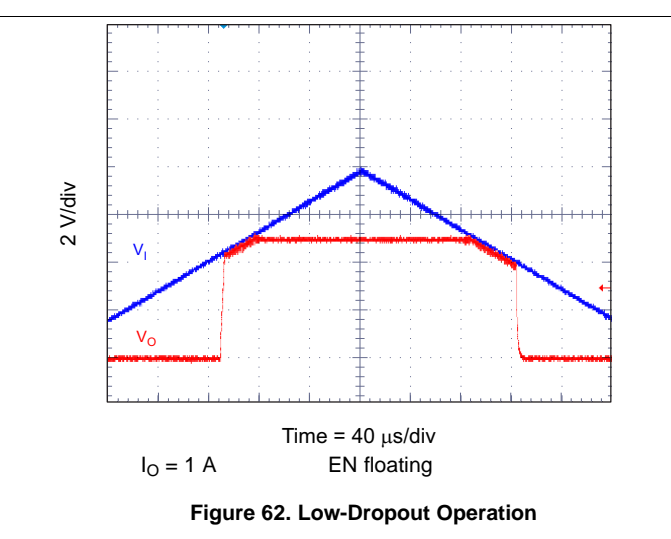
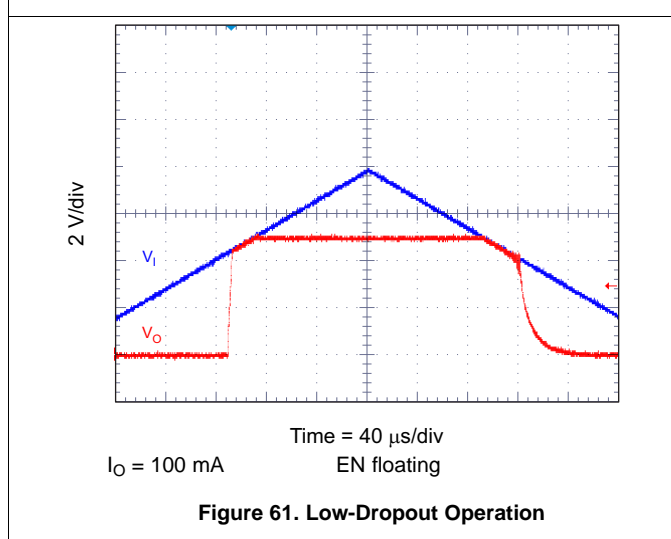
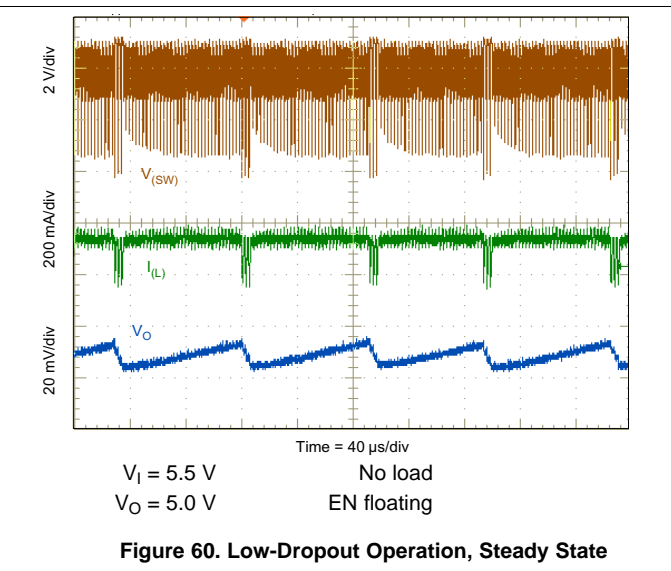
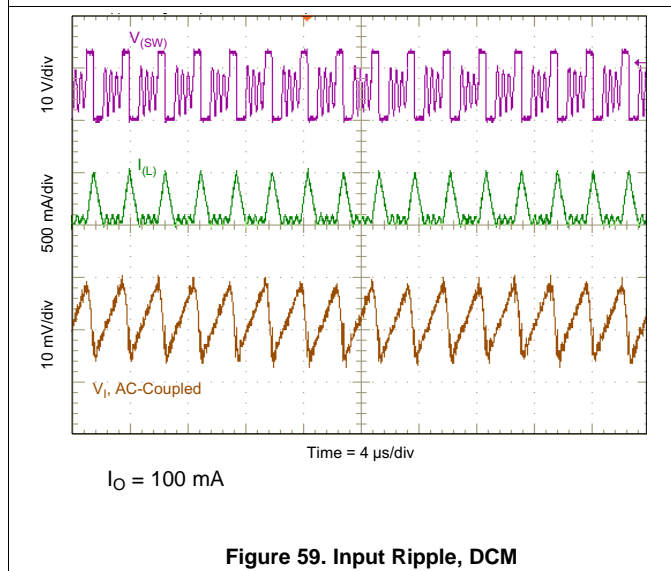
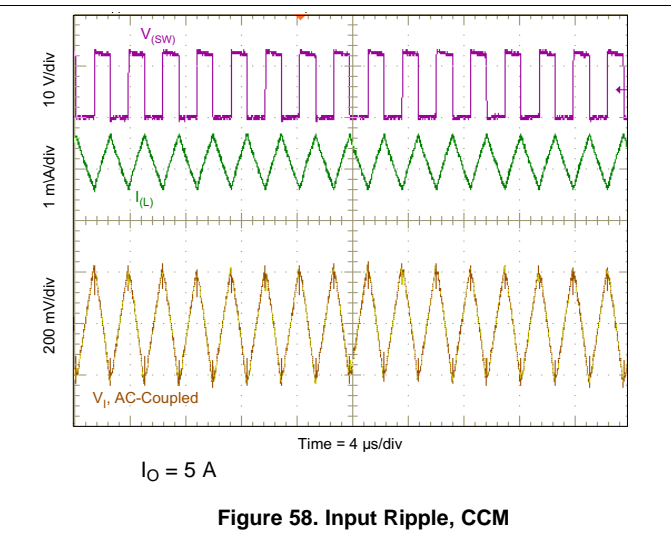
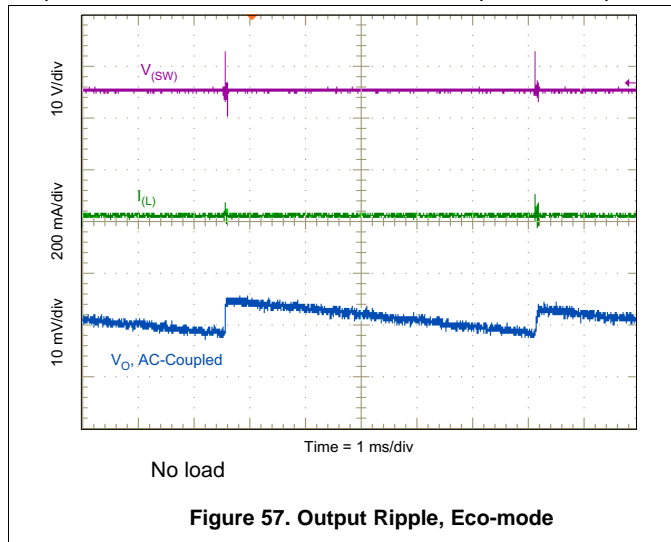


8.2.4 Application Curves

Acquisition of measurements uses a 12-V input, 5-V output, and 5-A load unless otherwise noted.



Acquisition of measurements uses a 12-V input, 5-V output, and 5-A load unless otherwise noted.



Acquisition of measurements uses a 12-V input, 5-V output, and 5-A load unless otherwise noted.

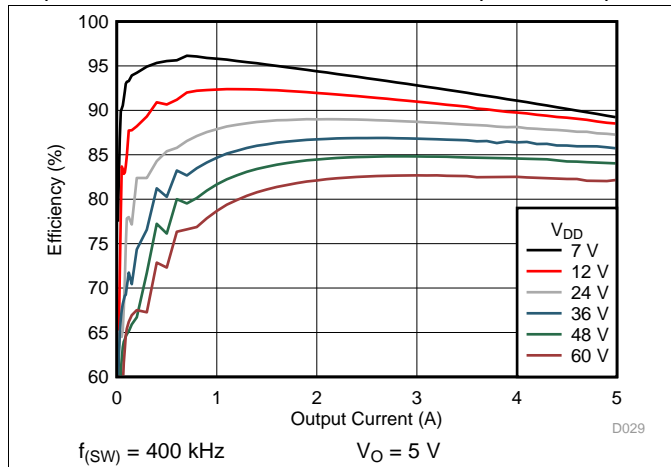


Figure 63. Efficiency vs Load Current

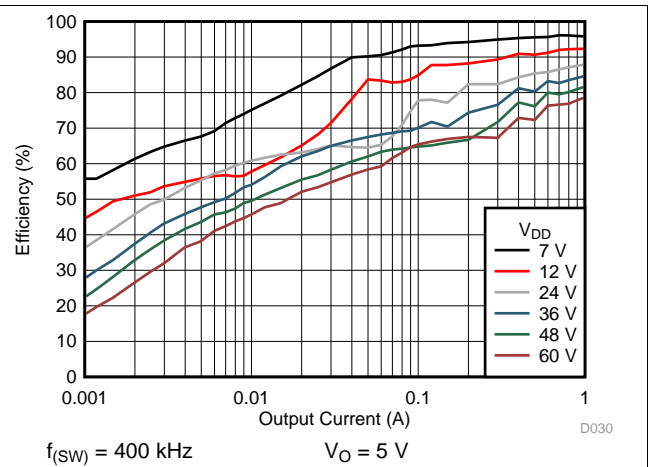


Figure 64. Light-Load Efficiency

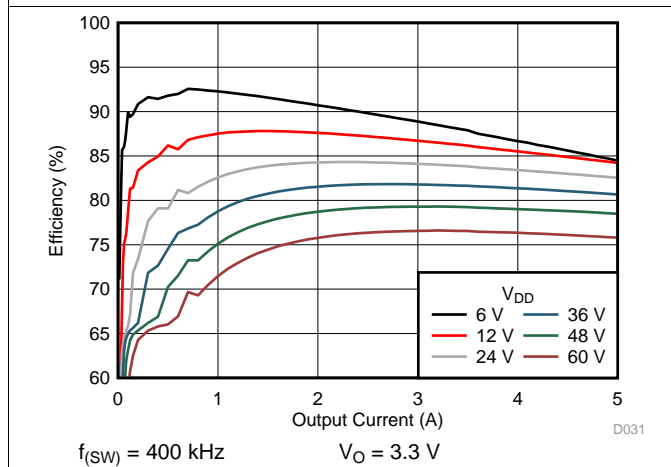


Figure 65. Efficiency vs Load Current

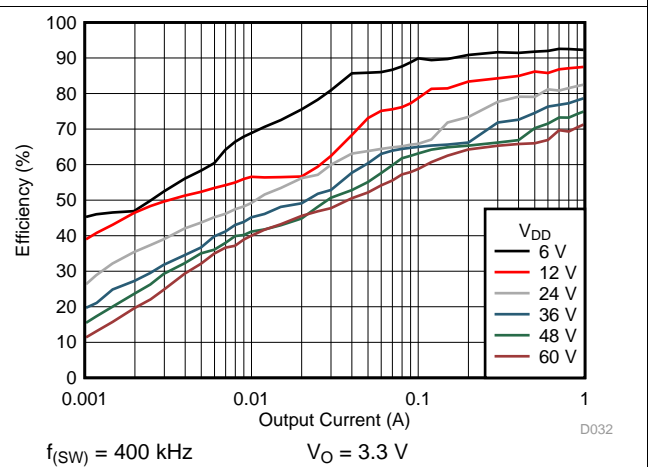


Figure 66. Light-Load Efficiency

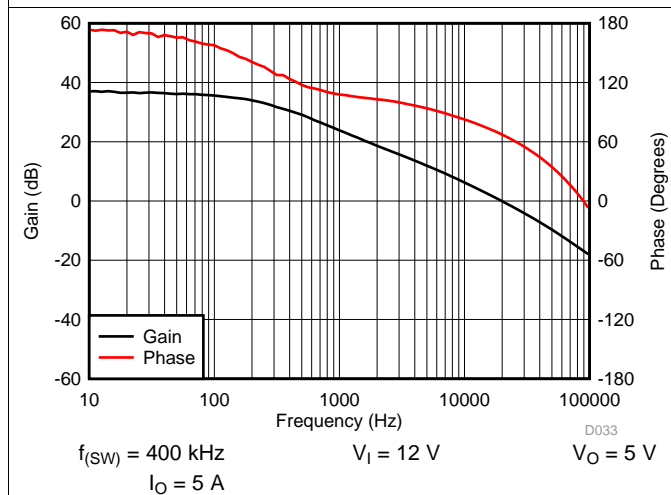


Figure 67. Overall Loop Frequency Response

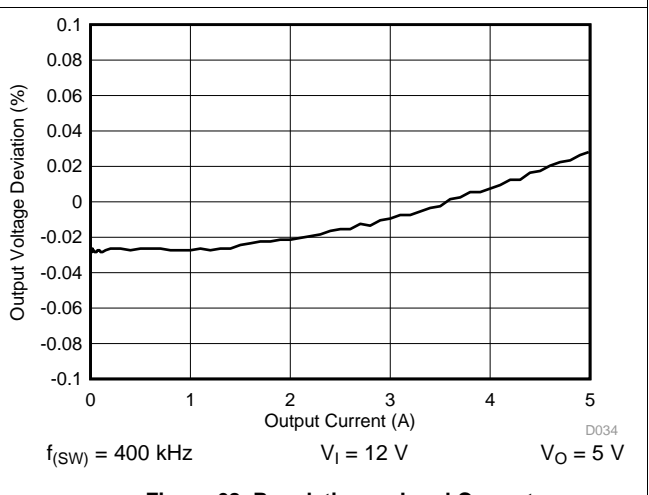
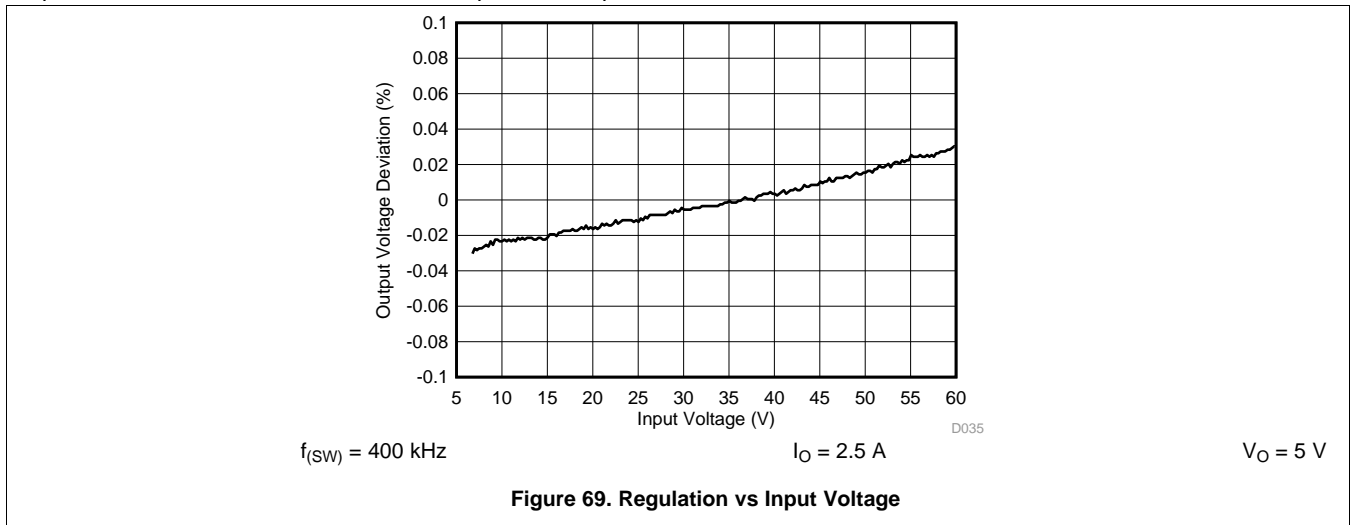


Figure 68. Regulation vs Load Current

Acquisition of measurements uses a 12-V input, 5-V output, and 5-A load unless otherwise noted.



8.2.5 Inverting Power Supply

One use of the TPS54561-Q1 is to convert a positive input voltage to a negative output voltage. Ideal applications are amplifiers requiring a negative power supply. For a more-detailed example, see *Create an Inverting Power Supply From a Step-Down Regulator*, application report [SLVA317](#).

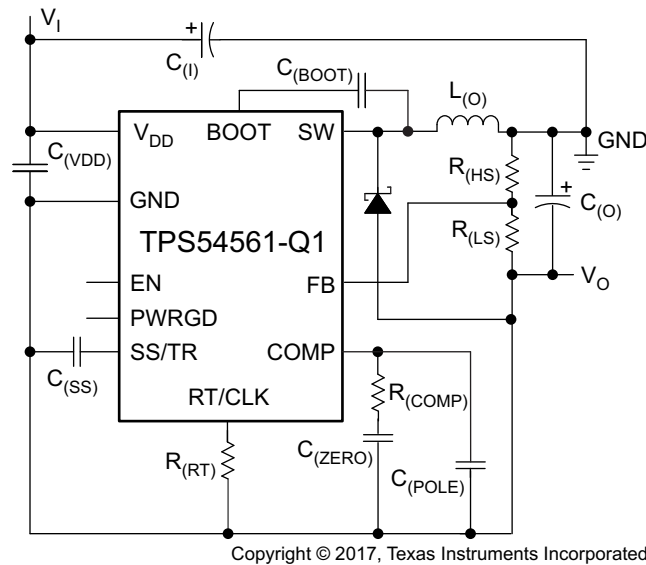


Figure 70. TPS54561-Q1 Inverting Power Supply Based on Application Report [SLVA317](#)

Acquisition of measurements uses a 12-V input, 5-V output, and 5-A load unless otherwise noted.

8.2.6 Split-Rail Power Supply

Another use of the TPS54561-Q1 device is to convert a positive input voltage to a split-rail positive- and negative-output voltage by using a coupled inductor. Ideal applications are amplifiers requiring a split-rail positive- and negative-voltage power supply. For a more-detailed example, see *Creating a Split-Rail Power Supply With a Wide Input Voltage Buck Regulator*, application report [SLVA369](#).

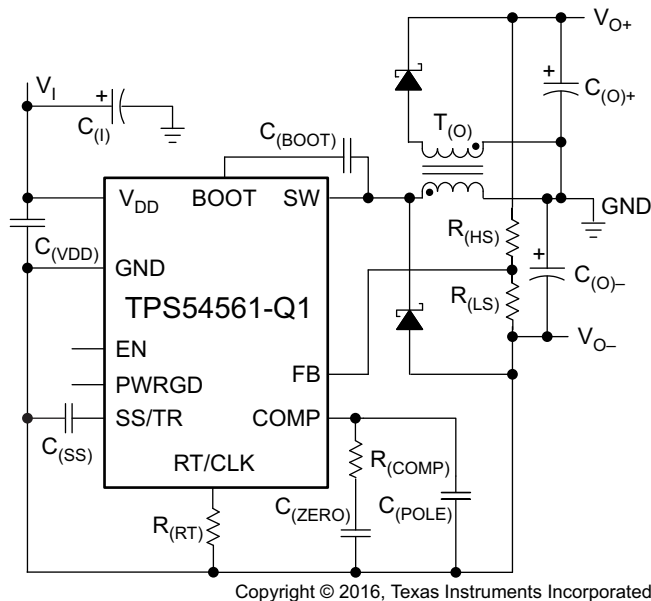


Figure 71. TPS54561-Q1 Split-Rail Power Supply Based on Application Report [SLVA369](#)

9 Power Supply Recommendations

The design of the device is for operation from an input voltage supply range between 4.5 V and 60 V. Good regulation of this input supply is essential. If the input supply is more distant than a few inches from the TPS54561-Q1 converter, the circuit may require additional bulk capacitance besides the ceramic bypass capacitors. An electrolytic capacitor with a value of 100 μF is a typical choice.

10 Layout

10.1 Layout Guidelines

Layout is a critical portion of good power-supply design. There are several signal paths that conduct fast-changing currents or voltages that can interact with stray inductance or parasitic capacitance to generate noise or degrade performance. See [Figure 72](#) for a PCB layout example.

- To reduce parasitic effects, bypass the V_{DD} pin to ground with a low-ESR ceramic bypass capacitor with X5R or X7R dielectric.
- Take care to minimize the loop area formed by the bypass capacitor connections, the V_{DD} pin, and the anode of the catch diode. Route the SW pin to the cathode of the catch diode and to the output inductor. Because the SW connection is the switching node, locate the catch diode and output inductor close to the SW pins, and minimize the area of the PCB conductor to prevent excessive capacitive coupling.
- Tie the GND pin directly to the copper pad under the IC for the exposed thermal pad. Connect this copper pad to internal PCB ground planes using multiple vias directly under the IC.
- For operation at full-rated load, the top-side ground area must provide adequate heat dissipating area.
- The RT/CLK pin is sensitive to noise, so locate the RT resistor as close as possible to the IC and route conductors with minimal lengths of trace.
- [Figure 72](#) shows the approximate placement for the additional external components.
- It may be possible to obtain acceptable performance with alternate PCB layouts. However, this layout, meant as a guideline, demonstrably produces good results.

Boxing in the components in the design of [Figure 46](#), the estimated printed-circuit board area is 1.025 in² (661 mm²). This area does not include test points or connectors. To further reduce the area, use a two-sided assembly and replace the 0603-sized passives with a smaller-sized equivalent.

10.2 Layout Example

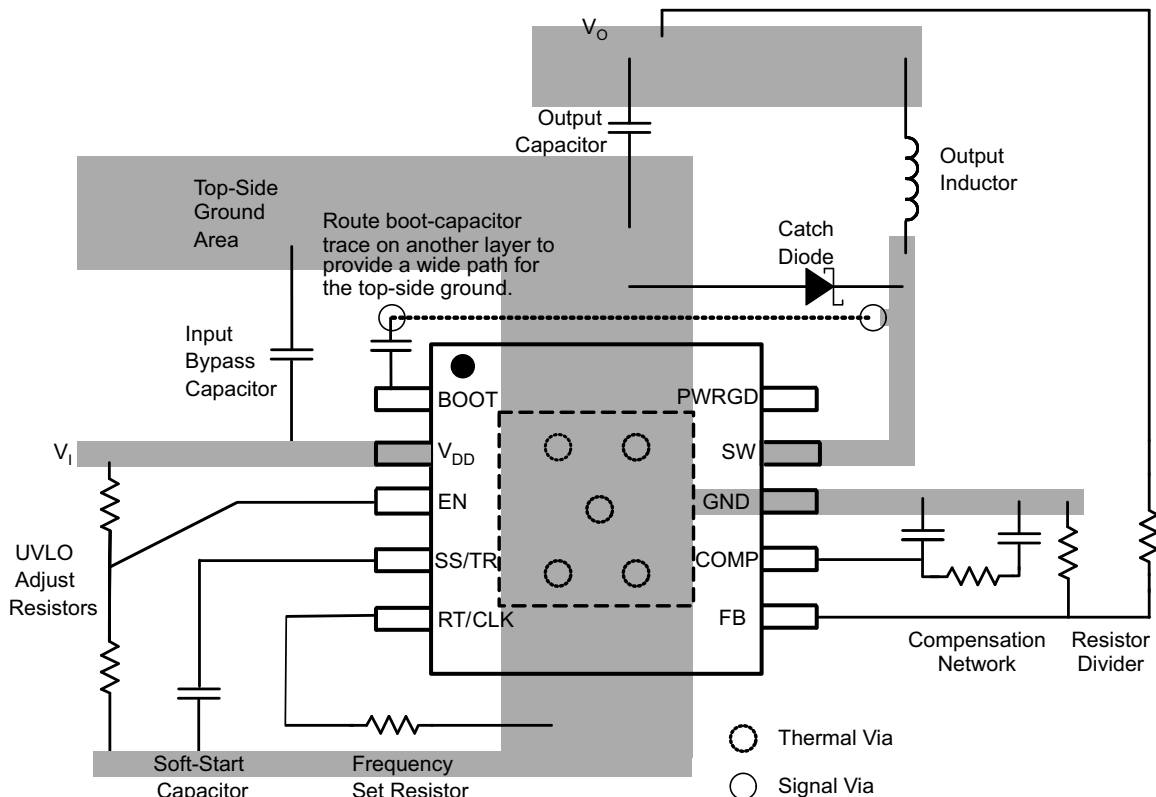


Figure 72. PCB Layout Example

11 器件和文档支持

11.1 器件支持

11.1.1 开发支持

有关 TPS54560、TPS54561 和 TPS54561-Q1 系列 Excel 设计工具的信息，请参见 [SLVC452](#)。

11.2 文档支持

11.2.1 相关文档

相关文档如下：

- 《使用降压稳压器创建反向电源》，[SLVA317](#)
- 《使用宽范围输入电压降压稳压器创建分离轨电源》，[SLVA369](#)
- 《针对 TPS54561 降压转换器的评估模块》，[SLVU993](#)
- 《利用 TPS54240 和 TPS2511 制作供 USB 设备使用的通用车载充电器》，[SLVA464](#)

11.2.2 使用 WEBENCH® 工具定制设计方案

[请单击此处](#)，借助 WEBENCH® Power Designer 并使用 TPS54561-Q1 器件定制设计方案

1. 首先输入您的 V_{IN} 、 V_{OUT} 和 I_{OUT} 要求。
2. 使用优化器拨盘可优化效率、封装和成本等关键设计参数并将您的设计与德州仪器 (TI) 的其他可行解决方案进行比较。
3. WEBENCH Power Designer 提供一份定制原理图以及罗列实时价格和组件可用性的物料清单。
4. 在多数情况下，您还可以：
 - 运行电气仿真，观察重要波形以及电路性能
 - 运行热性能仿真，了解电路板热性能
 - 将定制原理图和布局方案导出至常用 CAD 格式
 - 打印设计方案的 PDF 报告并与同事共享
5. 有关 WEBENCH 工具的详细信息，请访问 www.ti.com/WEBENCH。

11.3 接收文档更新通知

如需接收文档更新通知，请访问 www.ti.com.cn 网站上的器件产品文件夹。点击右上角的提醒我 (Alert me) 注册后，即可每周定期收到已更改的产品信息。有关更改的详细信息，请查阅已修订文档中包含的修订历史记录。

11.4 社区资源

The following links connect to TI community resources. Linked contents are provided "AS IS" by the respective contributors. They do not constitute TI specifications and do not necessarily reflect TI's views; see TI's [Terms of Use](#).

TI E2E™ Online Community *TI's Engineer-to-Engineer (E2E) Community*. Created to foster collaboration among engineers. At e2e.ti.com, you can ask questions, share knowledge, explore ideas and help solve problems with fellow engineers.

Design Support *TI's Design Support* Quickly find helpful E2E forums along with design support tools and contact information for technical support.

11.5 商标

Eco-mode, E2E are trademarks of Texas Instruments.
WEBENCH is a registered trademark of Texas Instruments.
Excel is a trademark of Microsoft Corporation.

11.6 静电放电警告



这些装置包含有限的内置 ESD 保护。存储或装卸时，应将导线一起截短或将装置放置于导电泡棉中，以防止 MOS 门极遭受静电损伤。

11.7 Glossary

[SLYZ022](#) — *TI Glossary*.

This glossary lists and explains terms, acronyms, and definitions.

12 机械、封装和可订购信息

以下页中包括机械、封装和可订购信息。这些信息是针对指定器件可提供的最新数据。本数据随时可能发生变更并且不对本文档进行修订，恕不另行通知。要获得这份数据表的浏览器版本，请查阅左侧导航栏。

PACKAGING INFORMATION

Orderable Device	Status (1)	Package Type	Package Drawing	Pins	Package Qty	Eco Plan (2)	Lead/Ball Finish (6)	MSL Peak Temp (3)	Op Temp (°C)	Device Marking (4/5)	Samples
TPS54561QDPRRQ1	ACTIVE	WSON	DPR	10	3000	Green (RoHS & no Sb/Br)	CU NIPDAU	Level-2-260C-1 YEAR	-40 to 125	TPS 54561Q	Samples
TPS54561QDPRTQ1	ACTIVE	WSON	DPR	10	250	Green (RoHS & no Sb/Br)	CU NIPDAU	Level-2-260C-1 YEAR	-40 to 125	TPS 54561Q	Samples

(1) The marketing status values are defined as follows:

ACTIVE: Product device recommended for new designs.

LIFEBUY: TI has announced that the device will be discontinued, and a lifetime-buy period is in effect.

NRND: Not recommended for new designs. Device is in production to support existing customers, but TI does not recommend using this part in a new design.

PREVIEW: Device has been announced but is not in production. Samples may or may not be available.

OBSOLETE: TI has discontinued the production of the device.

(2) Eco Plan - The planned eco-friendly classification: Pb-Free (RoHS), Pb-Free (RoHS Exempt), or Green (RoHS & no Sb/Br) - please check <http://www.ti.com/productcontent> for the latest availability information and additional product content details.

TBD: The Pb-Free/Green conversion plan has not been defined.

Pb-Free (RoHS): TI's terms "Lead-Free" or "Pb-Free" mean semiconductor products that are compatible with the current RoHS requirements for all 6 substances, including the requirement that lead not exceed 0.1% by weight in homogeneous materials. Where designed to be soldered at high temperatures, TI Pb-Free products are suitable for use in specified lead-free processes.

Pb-Free (RoHS Exempt): This component has a RoHS exemption for either 1) lead-based flip-chip solder bumps used between the die and package, or 2) lead-based die adhesive used between the die and leadframe. The component is otherwise considered Pb-Free (RoHS compatible) as defined above.

Green (RoHS & no Sb/Br): TI defines "Green" to mean Pb-Free (RoHS compatible), and free of Bromine (Br) and Antimony (Sb) based flame retardants (Br or Sb do not exceed 0.1% by weight in homogeneous material)

(3) MSL, Peak Temp. - The Moisture Sensitivity Level rating according to the JEDEC industry standard classifications, and peak solder temperature.

(4) There may be additional marking, which relates to the logo, the lot trace code information, or the environmental category on the device.

(5) Multiple Device Markings will be inside parentheses. Only one Device Marking contained in parentheses and separated by a "~" will appear on a device. If a line is indented then it is a continuation of the previous line and the two combined represent the entire Device Marking for that device.

(6) Lead/Ball Finish - Orderable Devices may have multiple material finish options. Finish options are separated by a vertical ruled line. Lead/Ball Finish values may wrap to two lines if the finish value exceeds the maximum column width.

Important Information and Disclaimer: The information provided on this page represents TI's knowledge and belief as of the date that it is provided. TI bases its knowledge and belief on information provided by third parties, and makes no representation or warranty as to the accuracy of such information. Efforts are underway to better integrate information from third parties. TI has taken and continues to take reasonable steps to provide representative and accurate information but may not have conducted destructive testing or chemical analysis on incoming materials and chemicals. TI and TI suppliers consider certain information to be proprietary, and thus CAS numbers and other limited information may not be available for release.

In no event shall TI's liability arising out of such information exceed the total purchase price of the TI part(s) at issue in this document sold by TI to Customer on an annual basis.

OTHER QUALIFIED VERSIONS OF TPS54561-Q1 :

- Catalog: [TPS54561](#)

NOTE: Qualified Version Definitions:

- Catalog - TI's standard catalog product

TAPE AND REEL INFORMATION



QUADRANT ASSIGNMENTS FOR PIN 1 ORIENTATION IN TAPE



*All dimensions are nominal

Device	Package Type	Package Drawing	Pins	SPQ	Reel Diameter (mm)	Reel Width W1 (mm)	A0 (mm)	B0 (mm)	K0 (mm)	P1 (mm)	W (mm)	Pin1 Quadrant
TPS54561QDP RRQ1	WSON	DPR	10	3000	330.0	12.4	4.25	4.25	1.15	8.0	12.0	Q2
TPS54561QDP RTQ1	WSON	DPR	10	250	180.0	12.4	4.25	4.25	1.15	8.0	12.0	Q2

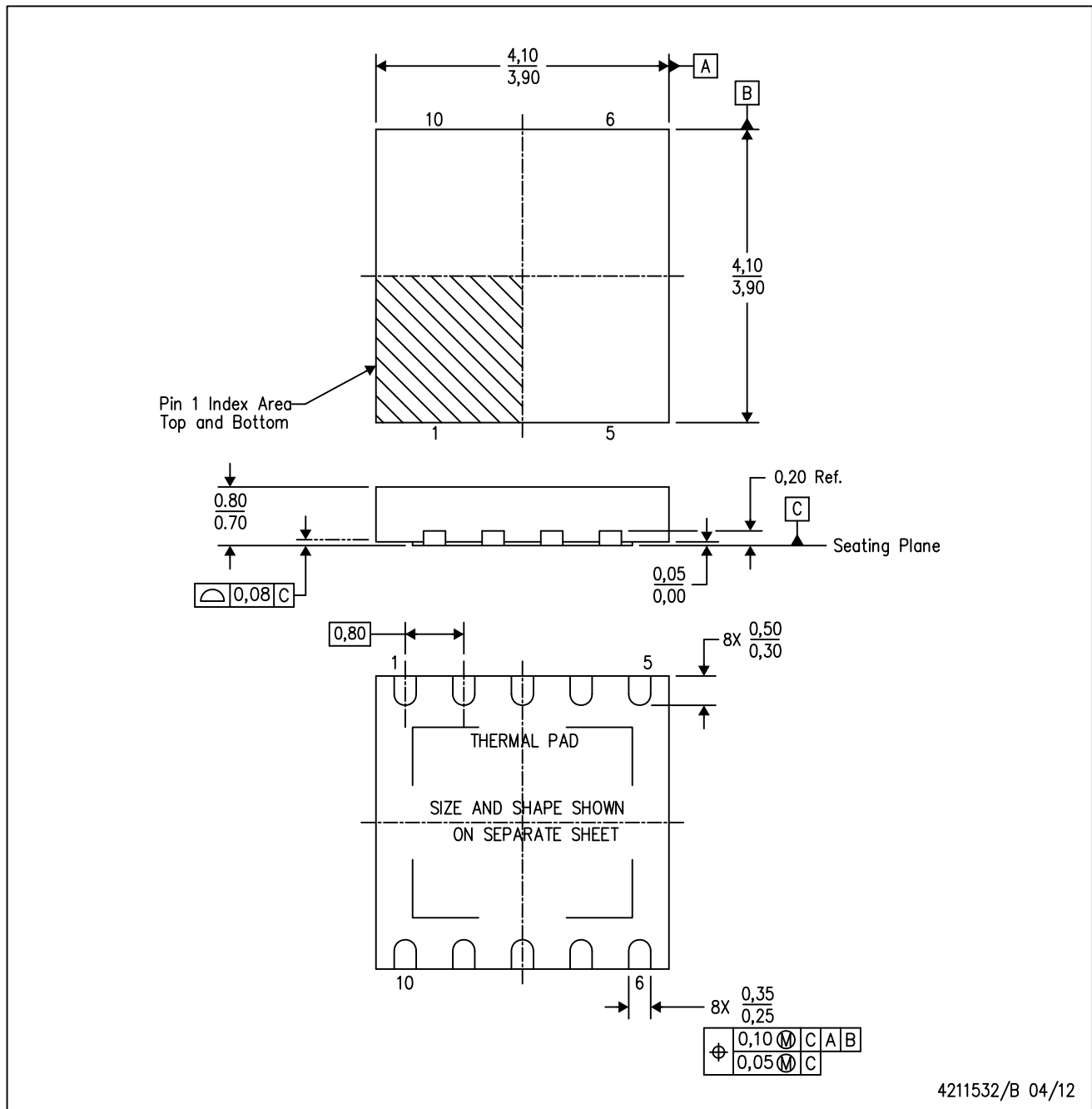
TAPE AND REEL BOX DIMENSIONS


*All dimensions are nominal

Device	Package Type	Package Drawing	Pins	SPQ	Length (mm)	Width (mm)	Height (mm)
TPS54561QDPRRQ1	WSON	DPR	10	3000	367.0	367.0	35.0
TPS54561QDPRTQ1	WSON	DPR	10	250	210.0	185.0	35.0

DPR (S-PWSON-N10)

PLASTIC SMALL OUTLINE NO-LEAD



4211532/B 04/12

- NOTES:
- A. All linear dimensions are in millimeters. Dimensioning and tolerancing per ASME Y14.5M-1994.
 - B. This drawing is subject to change without notice.
 - C. SON (Small Outline No-Lead) package configuration.
 - D. The package thermal pad must be soldered to the board for thermal and mechanical performance.
 - E. See the additional figure in the Product Data Sheet for details regarding the exposed thermal pad features and dimensions.

THERMAL PAD MECHANICAL DATA

DPR (S-PWSON-N10)

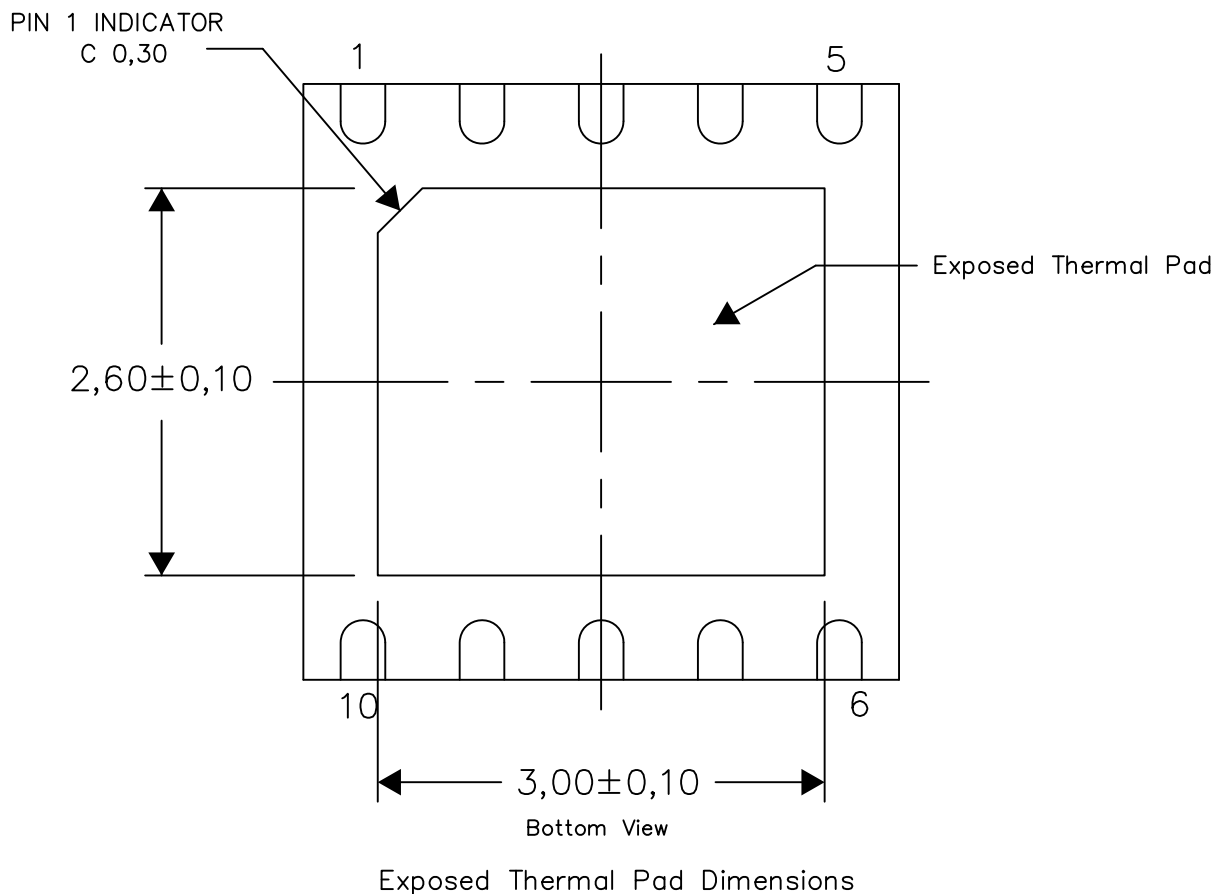
PLASTIC SMALL OUTLINE NO-LEAD

THERMAL INFORMATION

This package incorporates an exposed thermal pad that is designed to be attached directly to an external heatsink. The thermal pad must be soldered directly to the printed circuit board (PCB). After soldering, the PCB can be used as a heatsink. In addition, through the use of thermal vias, the thermal pad can be attached directly to the appropriate copper plane shown in the electrical schematic for the device, or alternatively, can be attached to a special heatsink structure designed into the PCB. This design optimizes the heat transfer from the integrated circuit (IC).

For information on the Quad Flatpack No-Lead (QFN) package and its advantages, refer to Application Report, QFN/SON PCB Attachment, Texas Instruments Literature No. SLUA271. This document is available at www.ti.com.

The exposed thermal pad dimensions for this package are shown in the following illustration.

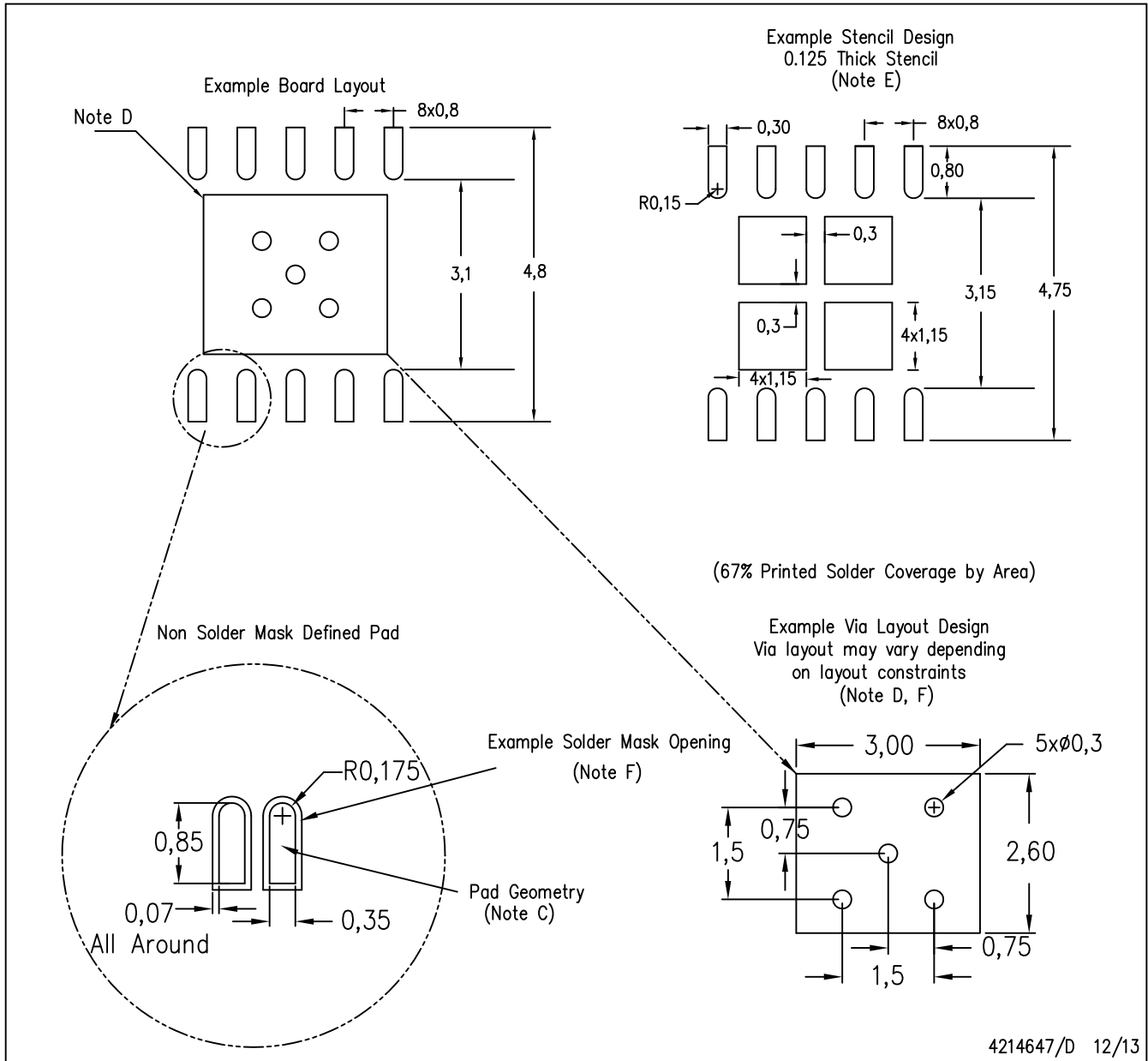


4211551/C 12/13

NOTES: All linear dimensions are in millimeters

DPR (S-PWSON-N10)

PLASTIC SMALL OUTLINE NO-LEAD



- NOTES:
- A. All linear dimensions are in millimeters.
 - B. This drawing is subject to change without notice.
 - C. Publication IPC-7351 is recommended for alternate designs.
 - D. This package is designed to be soldered to a thermal pad on the board. Refer to Application Note, Quad Flat-Pack Packages, Texas Instruments Literature No. SLUA271, and also the Product Data Sheets for specific thermal information, via requirements, and recommended board layout. These documents are available at www.ti.com <<http://www.ti.com>>.
 - E. Laser cutting apertures with trapezoidal walls and also rounding corners will offer better paste release. Customers should contact their board assembly site for stencil design recommendations. Refer to IPC 7525 for stencil design considerations.
 - F. Customers should contact their board fabrication site for recommended solder mask tolerances and via tenting recommendations for vias placed in the thermal pad.

重要声明

德州仪器 (TI) 公司有权按照最新发布的 JESD46 对其半导体产品和服务进行纠正、增强、改进和其他修改，并不再按最新发布的 JESD48 提供任何产品和服务。买方在下订单前应获取最新的相关信息，并验证这些信息是否完整且是最新的。

TI 公布的半导体产品销售条款 (<http://www.ti.com/sc/docs/stdterms.htm>) 适用于 TI 已认证和批准上市的已封装集成电路产品的销售。另有其他条款可能适用于其他类型 TI 产品及服务的使用或销售。

复制 TI 数据表上 TI 信息的重要部分时，不得变更该等信息，且必须随附所有相关保证、条件、限制和通知，否则不得复制。TI 对该等复制文件不承担任何责任。第三方信息可能受到其它限制条件的制约。在转售 TI 产品或服务时，如果存在对产品或服务参数的虚假陈述，则会失去相关 TI 产品或服务的明示或暗示保证，且构成不公平的、欺诈性商业行为。TI 对此类虚假陈述不承担任何责任。

买方和在系统中整合 TI 产品的其他开发人员（总称“设计人员”）理解并同意，设计人员在设计应用时应自行实施独立的分析、评价和判断，且应全权负责并确保应用的安全性，及设计人员的应用（包括应用中使用的 TI 产品）应符合所有适用的法律法规及其他相关要求。设计人员就自己设计的应用声明，其具备制订和实施下列保障措施所需的一切必要专业知识，能够 (1) 预见故障的危险后果，(2) 监视故障及其后果，以及 (3) 降低可能导致危险的故障几率并采取适当措施。设计人员同意，在使用或分发包含 TI 产品的任何应用前，将彻底测试该等应用和该等应用中所用 TI 产品的功能。

TI 提供技术、应用或其他设计建议、质量特点、可靠性数据或其他服务或信息，包括但不限于与评估模块有关的参考设计和材料（总称“TI 资源”），旨在帮助设计人员开发整合了 TI 产品的应用，如果设计人员（个人，或如果是代表公司，则为设计人员的公司）以任何方式下载、访问或使用任何特定的 TI 资源，即表示其同意仅为该等目标，按照本通知的条款使用任何特定 TI 资源。

TI 所提供的 TI 资源，并未扩大或以其他方式修改 TI 对 TI 产品的公开适用的质保及质保免责声明；也未导致 TI 承担任何额外的义务或责任。TI 有权对其 TI 资源进行纠正、增强、改进和其他修改。除特定 TI 资源的公开文档中明确列出的测试外，TI 未进行任何其他测试。

设计人员只有在开发包含该等 TI 资源所列 TI 产品的应用时，才被授权使用、复制和修改任何相关 TI 资源。但并未依据禁止反言原则或其他法律授予您任何 TI 知识产权的任何其他明示或默示的许可，也未授予您 TI 或第三方的任何技术或知识产权的许可，该等许可包括但不限于任何专利权、版权、屏蔽作品权或与美国 TI 产品或服务的任何整合、机器制作、流程相关的其他知识产权。涉及或参考了第三方产品或服务的信息不构成使用此类产品或服务的许可或与其相关的保证或认可。使用 TI 资源可能需要您向第三方获得对该等第三方专利或其他知识产权的许可。

TI 资源系“按原样”提供。TI 兹免除对资源及其使用作出所有其他明确或默示的保证或陈述，包括但不限于对准确性或完整性、产权保证、无屡发故障保证，以及适销性、适合特定用途和不侵犯任何第三方知识产权的任何默认保证。TI 不负责任何申索，包括但不限于因组合产品所致或与之有关的申索，也不为或对设计人员进行辩护或赔偿，即使该等产品组合已列于 TI 资源或其他地方。对因 TI 资源或其使用引起或与之有关的任何实际的、直接的、特殊的、附带的、间接的、惩罚性的、偶发的、从属或惩戒性损害赔偿，不管 TI 是否获悉可能会产生上述损害赔偿，TI 概不负责。

除 TI 已明确指出特定产品已达到特定行业标准（例如 ISO/TS 16949 和 ISO 26262）的要求外，TI 不对未达到任何该等行业标准要求而承担任何责任。

如果 TI 明确宣称产品有助于功能安全或符合行业功能安全标准，则该等产品旨在帮助客户设计和创作自己的符合相关功能安全标准和要求的的应用。在应用内使用产品的行为本身不会配有安全特性。设计人员必须确保遵守适用于其应用的相关安全要求和标准。设计人员不可将任何 TI 产品用于关乎性命的医疗设备，除非已由各方获得授权的管理人员签署专门的合同对此类应用专门作出规定。关乎性命的医疗设备是指出现故障会导致严重身体伤害或死亡的医疗设备（例如生命保障设备、心脏起搏器、心脏除颤器、人工心脏泵、神经刺激器以及植入设备）。此类设备包括但不限于，美国食品药品监督管理局认定为 III 类设备的设备，以及在美国以外的其他国家或地区认定为同等类别设备的所有医疗设备。

TI 可能明确指定某些产品具备某些特定资格（例如 Q100、军用级或增强型产品）。设计人员同意，其具备一切必要专业知识，可以为自己的应用选择适合的产品，并且正确选择产品的风险由设计人员承担。设计人员单方面负责遵守与该等选择有关的所有法律或监管要求。

设计人员同意向 TI 及其代表全额赔偿因其不遵守本通知条款和条件而引起的任何损害、费用、损失和/或责任。

邮寄地址：上海市浦东新区世纪大道 1568 号中建大厦 32 楼，邮政编码：200122
Copyright © 2017 德州仪器半导体技术（上海）有限公司