



SPECIFICATION FOR APPROVAL

承 认 书

Description : 蜂鸣器 **Buzzer**

Vender's Part No. : **cy-12095-5025**

Cstomer name :

Supplier name : **常州超音电子有限公司**

Version No. : **1.1**

CUSTOMER'S APPROVED SIGNATURE		

CHANGZHOU CHAOYIN ELECTRONIC CO.,LTD
常州超音电子有限公司

ADD: 中国江苏常州武进庙桥新联工业集中区 58

TEL: +86-519-88298758

FAX: +86-519-86464158

Http://www.smdbuzzer.net



Approved By	Checked By	Made By
		Nong 2014/1/23

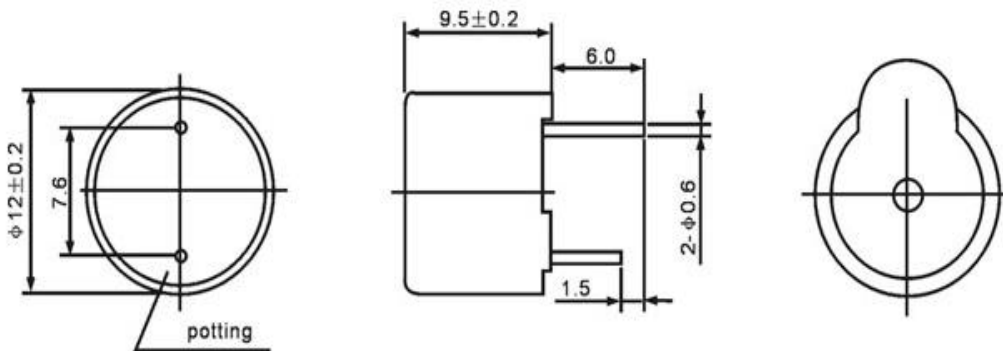
A. SCOPE

This specification applies magnetic buzzer, **cy-12095-5025**

B. SPECIFICATION

No.	Item	Unit	Specification	Condition
1	Oscillation Frequency	KHz	2.3±0.3	
2	Operating Voltage	VDC	4-7	
3	Rated Voltage	VDC	5	
4	Current Consumption	mA	MAX. ≤30	at Rated Voltage
5	Sound Pressure Level	dB	MIN.85	at 10cm at Rated Voltage
6	Operating Temperature	°C	-30~ +80	
7	Storage Temperature	°C	-40 ~ +95	
8	Dimension	mm	Φ12* H9.5	See appearance drawing
9	Weight (MAX)	gram	1.6	
10	Housing Material		PBT (Black)	
11	Leading Pin		Tin Plated Brass(Sn)	See appearance drawing
12	Environmental Protection Regulation		RoHS	

C. APPEARANCE DRAWING : : Tol : ± 0.5 Unit: mm



CONTROLLED DOCUMENT
 受 控 文 件
 Sharp-pro Stamp (IQC)

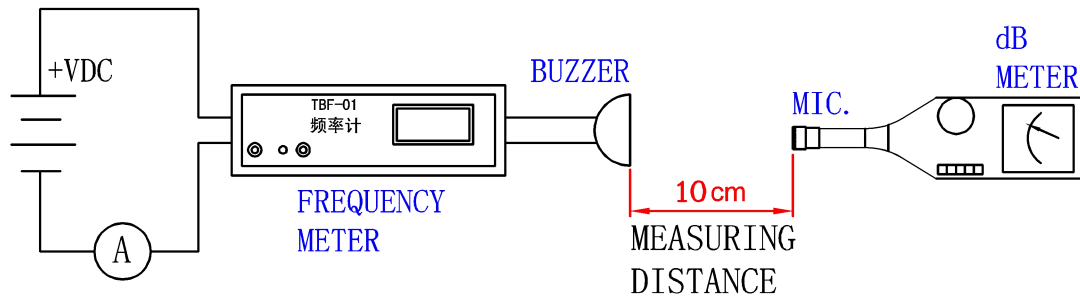
D. TESTING METHOD

Standard Measurement conditions

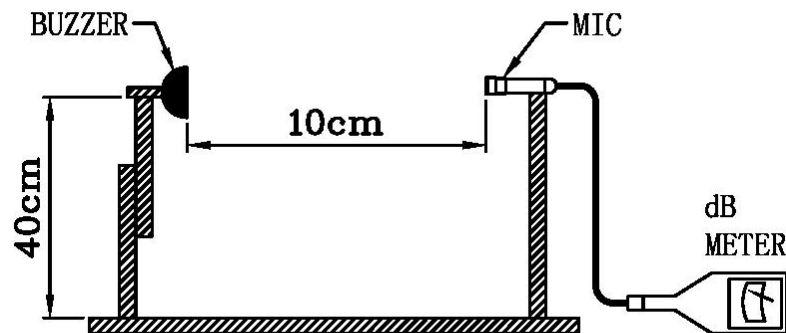
Temperature: $25 \pm 2^\circ\text{C}$ Humidity: 45-65%

Acoustic Characteristics:

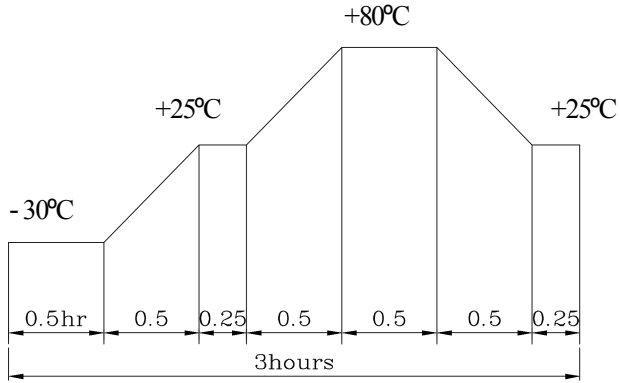
The oscillation frequency, current consumption and sound pressure are measured by the measuring instruments shown below



In the measuring test, buzzer is placed as follows



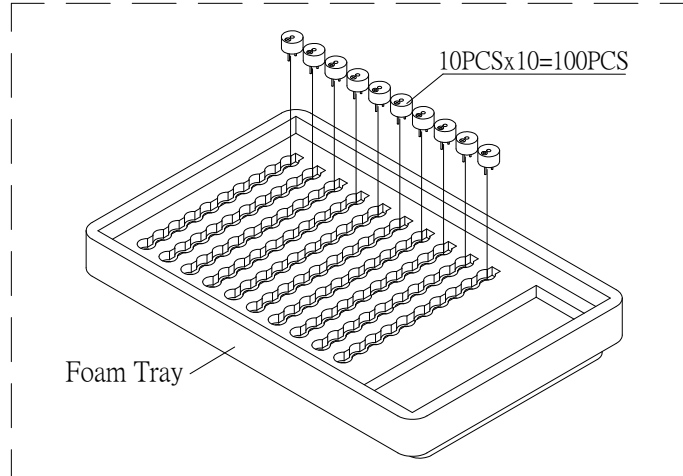
E. RELIABILITY TEST

NO.	ITEM	TEST CONDITION AND REQUIREMENT
1	High Temperature Test (Storage)	After being placed in a chamber with 80 °C for 96 hours and then being placed in normal condition for 2 hours. Allowable variation of SPL after test: 10dB.
2	Low Temperature Test (Storage)	After being Placed in a chamber with -30 °C for 96 hours and then being placed in normal condition for 2 hours. Allowable variation of SPL after test: 10dB.
3	Humidity Test	After being Placed in a chamber with 90-95% R.H. at 40 °C for 96 hours and then being placed in normal condition for 2 hours. Allowable variation of SPL after test: 10dB.
4		The part shall be subjected to 5 cycles. One cycle shall be consist of : <div style="display: flex; align-items: center; justify-content: center;"> <div style="border: 2px solid purple; padding: 5px; margin-right: 20px;"> <p style="margin: 0;">CONTROLLED DOCUMENT</p> <p style="margin: 0;">受控文件</p> <p style="margin: 0;">Sharp-pro Stamp (IQC)</p> </div>  </div> Allowable variation of SPL after test: 10dB.
5	Drop Test	Drop on a hard wood board of 4cm thick, any directions ,6 times, at the height of 75cm . Allowable variation of SPL after test: 10dB.
6	Vibration Test	After being applied vibration of amplitude of 1.5mm with 10 to 55 Hz band of vibration frequency to each of 3 perpendicular directions for 2 hours . Allowable variation of SPL after test: 10dB.
7	Solderability Test	Lead terminals are immersed in rosin for 5 seconds and then immersed in solder bath of +300 °C for 3 1 seconds . 90% min. lead terminals shall be wet with solder (Except the edge of terminals).
8	Terminal Strength Pulling Test	The force of 9.8N(1.0kg) is applied to each terminal in axial direction for 10 seconds. No visible damage and cutting off.

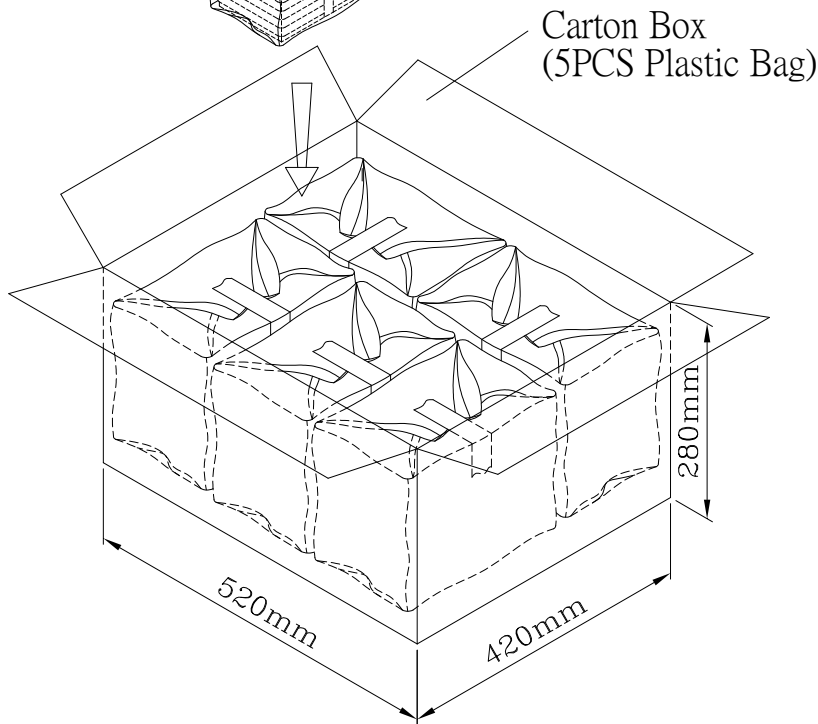
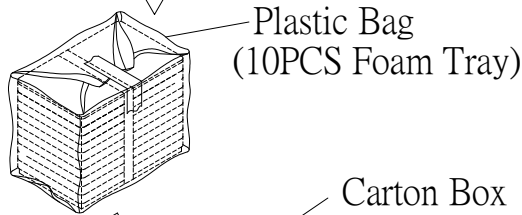
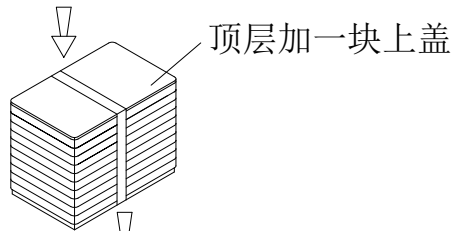
TEST CONDITION.

Standard Test Condition	:	a) Temperature : +5 ~ +35°C	b) Humidity : 45-85%	c) Pressure : 860-1060mbar
一般测试条件	:	a) 温度 : +5 ~ +35°C	b) 湿度 : 45-85%	c) 气压 : 860-1060mbar
Judgment Test Condition	:	a) Temperature : +25 ± 2°C	b) Humidity : 60-70%	c) Pressure : 860-1060mbar
争议时测试条件	:	a) 温度 : +25 ± 2°C	b) 湿度 : 60-70%	c) 气压 : 860-1060mbar

F PACKING STANDARD



CONTROLLED DOCUMENT
 受控文件
 Sharp-pro Stamp (IQC)



Foam Tray	240mmx160mmx30mm	1x100PCS=100PCS
Plastic Bag		10x100PCS=1000PCS
Carton Box	520mmx420mmx280mm	5x1000PCS=5,000PCS