



## SPECIFICATION FOR APPROVAL

# 承 认 书

Description : 蜂鸣器 **Buzzer**

Vender's Part No. : **cy-12095-3025**

Cstomer name :

Supplier name : **常州超音电子有限公司**

Version No. : **1.1**

CUSTOMER'S APPROVED SIGNATURE		

**CHANGZHOU CHAOYIN ELECTRONIC CO.,LTD**  
**常州超音电子有限公司**

ADD:江苏常州武进庙桥新联工业集中区 58 号

TEL: +86-519-88298758

FAX: +86-519-86464158

Http://www.smdbuzzer.net

Approved By	Checked By	Made By
		<b>Nong</b> <b>2014/07/02</b>

## A. SCOPE

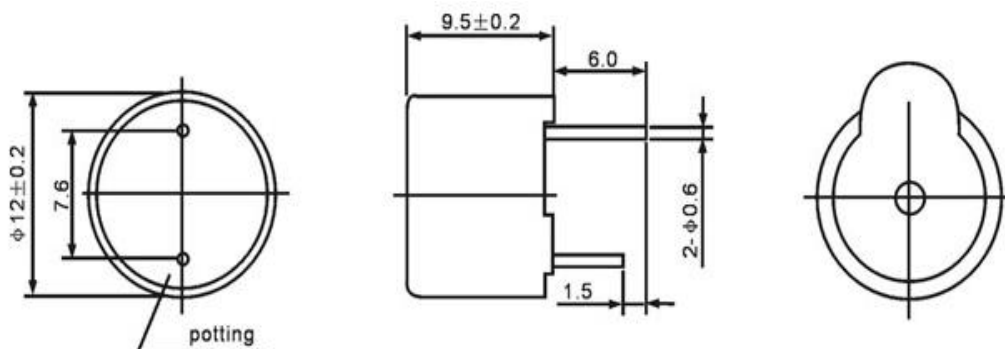
This specification applies magnetic buzzer, **cy-12095-3025**

## B. SPECIFICATION

No.	Item	Unit	Specification	Condition
1	Oscillation Frequency	KHz	$2.5 \pm 0.2$	
2	Operating Voltage	VDC	2-4	
3	Rated Voltage	VDC	3	
4	Current Consumption	mA	MAX. $\leq 30$	at Rated Voltage
5	Sound Pressure Level	dB	MIN.85	at 10cm at Rated Voltage
6	Operating Temperature	°C	-20~ +70	
7	Storage Temperature	°C	-30 ~ +80	
8	Dimension	mm	$\Phi 12^* H9.5$	See appearance drawing
9	Weight (MAX)	gram	1.6	
10	Housing Material		PBT ( Black )	
11	Leading Pin		Tin Plated Brass(Sn)	See appearance drawing
12	Environmental Protection Regulation		RoHS	

## C. APPEARANCE DRAWING:

Unit: mm



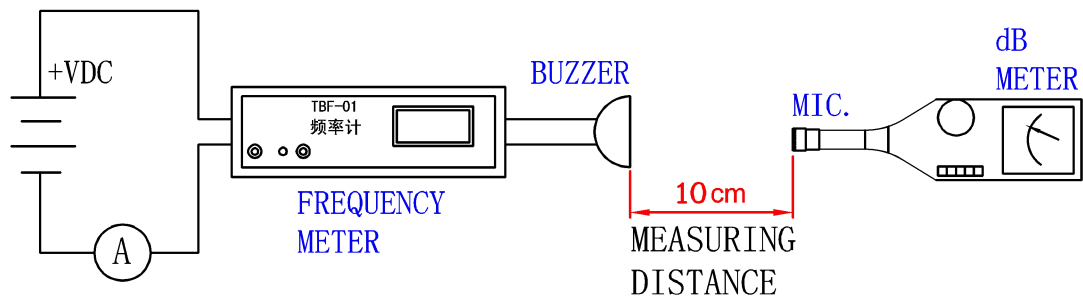
## D. TESTING METHOD

### Standard Measurement conditions

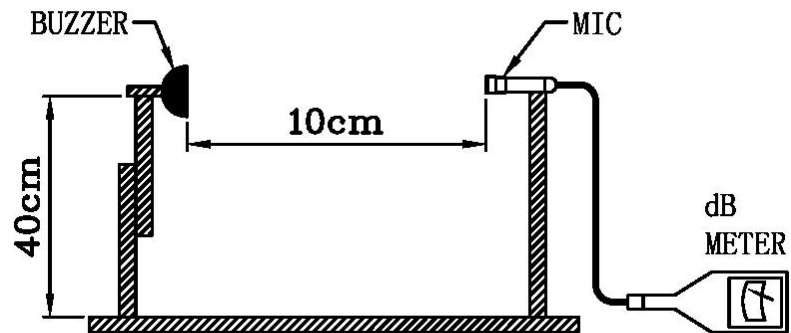
Temperature:  $25 \pm 2^\circ\text{C}$  Humidity: 45-65%

### Acoustic Characteristics:

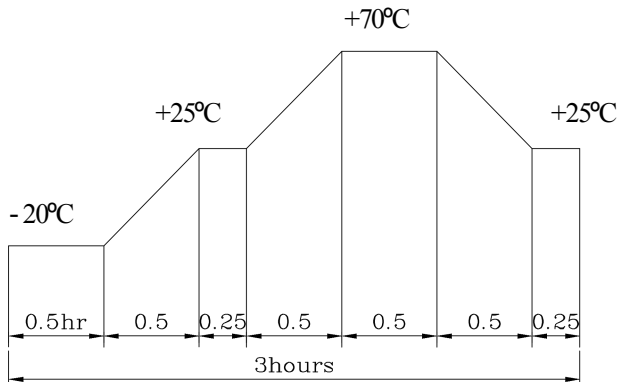
The oscillation frequency, current consumption and sound pressure are measured by the measuring instruments shown below



In the measuring test, buzzer is placed as follows



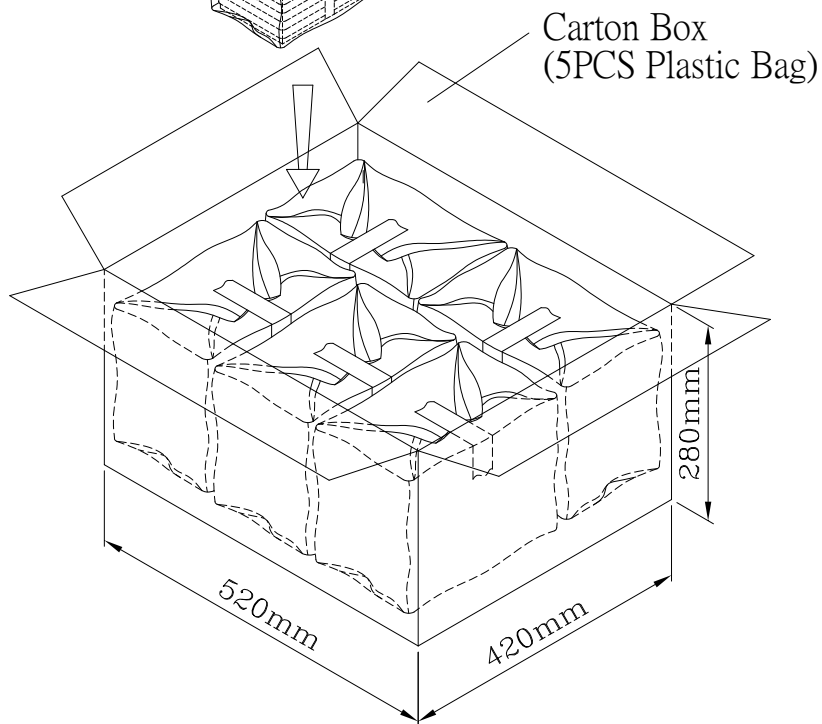
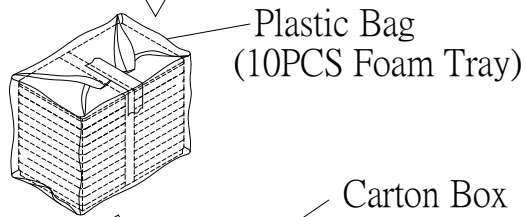
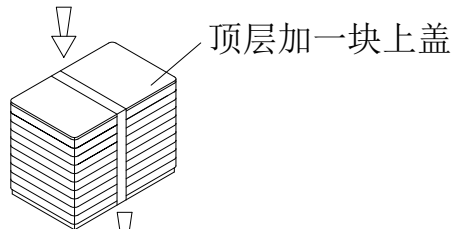
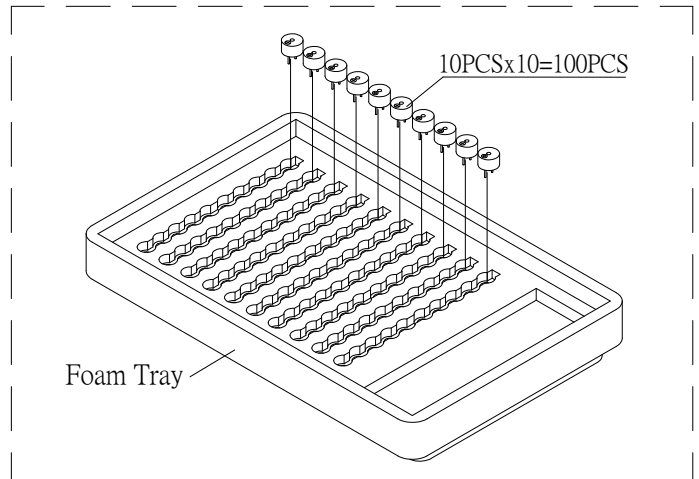
## E. RELIABILITY TEST

NO.	ITEM	TEST CONDITION AND REQUIREMENT
1	High Temperature Test (Storage)	After being placed in a chamber with 80 °C for 96 hours and then being placed in normal condition for 2 hours. Allowable variation of SPL after test: 10dB.
2	Low Temperature Test (Storage)	After being Placed in a chamber with -30 °C for 96 hours and then being placed in normal condition for 2 hours. Allowable variation of SPL after test: 10dB.
3	Humidity Test	After being Placed in a chamber with 90-95% R.H. at 40 °C for 96 hours and then being placed in normal condition for 2 hours. Allowable variation of SPL after test: 10dB.
4	Temperature Cycle Test	The part shall be subjected to 5 cycles. One cycle shall be consist of :  Allowable variation of SPL after test: 10dB.
5	Drop Test	Drop on a hard wood board of 4cm thick, any directions ,6 times, at the height of 75cm . Allowable variation of SPL after test: 10dB.
6	Vibration Test	After being applied vibration of amplitude of 1.5mm with 10 to 55 Hz band of vibration frequency to each of 3 perpendicular directions for 2 hours . Allowable variation of SPL after test: 10dB.
7	Solderability Test	Lead terminals are immersed in rosin for 5 seconds and then immersed in solder bath of +300 °C for 3 1 seconds . 90% min. lead terminals shall be wet with solder (Except the edge of terminals).
8	Terminal Strength Pulling Test	The force of 9.8N(1.0kg) is applied to each terminal in axial direction for 10 seconds. No visible damage and cutting off.

### TEST CONDITION.

Standard Test Condition 一般测试条件	:	a) Temperature : +5 ~ +35°C	b) Humidity : 45-85%	c) Pressure : 860-1060mbar
Judgment Test Condition 争议时测试条件	:	a) 温度 : +5 ~ +35°C	b) 湿度 : 45-85%	c) 气压 : 860-1060mbar
	:	a) Temperature : +25 ± 2°C	b) Humidity : 60-70%	c) Pressure : 860-1060mbar
	:	a) 温度 : +25 ± 2°C	b) 湿度 : 60-70%	c) 气压 : 860-1060mbar

# F. PACKING STANDARD



Foam Tray	240mmx160mmx30mm	1x100PCS=100PCS
Plastic Bag		10x100PCS=1000PCS
Carton Box	520mmx420mmx280mm	5x1000PCS=5,000PCS