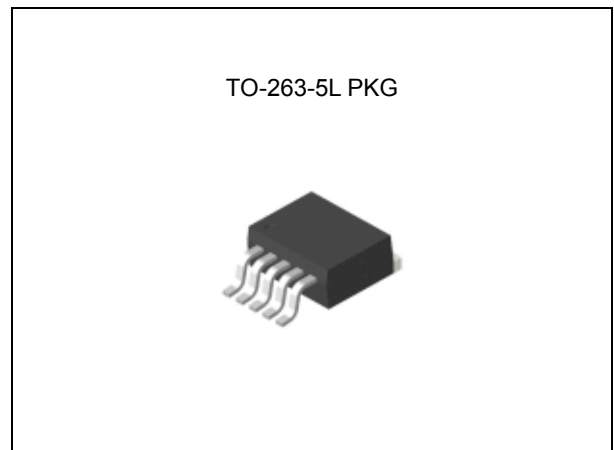


FEATURES

- 3.3V, 5V, 12V, and adjustable output versions
- Adjustable version output voltage range
- Guaranteed 5A output load current
- Input voltage range up to 40V
- 300KHz fixed frequency internal oscillator
- Excellent line and load regulation
- Thermal shutdown and current limit protection



APPLICATION

- Simple high-efficiency step-down regulator
- On-card switching regulators
- Positive to negative converter

ORDERING INFORMATION

Device	Package
TJ1501BGR-X.X	TO-263-5L

X.X = Output Voltage = 3.3, 5.0, 12, ADJ

DESCRIPTION

The TJ1501B series of regulators are monolithic integrated circuits that provide all the active functions for a step-down switching regulator, capable of driving a 5A load with excellent line and load regulation. These devices are available in fixed output voltages of 3.3V, 5V, 12V and an adjustable output version. Requiring a minimum number of external components, these regulators are simple to use and they include internal frequency compensation and a fixed-frequency oscillator. The TJ1501B series operates at a switching frequency of 300kHz thus allowing smaller sized filter components than what would be needed with lower frequency switching regulators.

Other features include a guaranteed $\pm 4\%$ tolerance on output voltage under specified input voltage and output load conditions, and $\pm 15\%$ on the oscillator frequency. External shutdown is included, featuring typically 80uA standby current. Self-protection features include a two stage frequency reducing current limit for output switch and an over temperature shutdown for complete protection under fault conditions.

ABSOLUTE MAXIMUM RATINGS ^(Note 1)

Characteristic	Symbol	Value	Unit
Maximum Input Supply Voltage	V_{IN}	45	V
ON/OFF Pin Input Voltage	$V_{ON/OFF}$	$-0.3 \leq V \leq +25$	V
Feedback Pin Voltage	V_{FB}	$-0.3 \leq V \leq +25$	V
Output Voltage to Ground (Steady State)	V_{OUT}	-1	V
Power Dissipation	P_D	Internally limited	W
Storage Temperature Range	T_{STG}	-65 to +150	$^{\circ}C$
Operating Temperature Range	T_J	150	$^{\circ}C$

5A, 300KHz, Step-down Switching Regulator

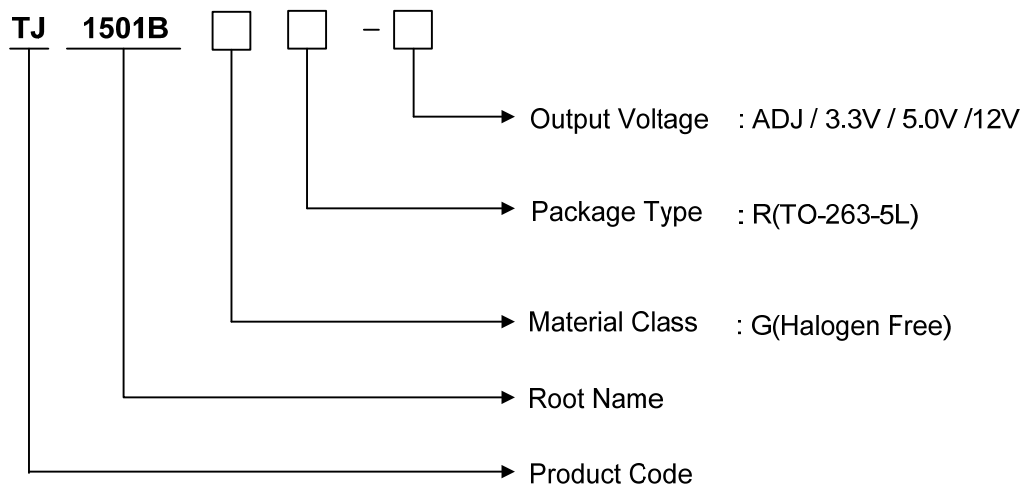
TJ1501B

RECOMMENDED OPERATING CONDITIONS

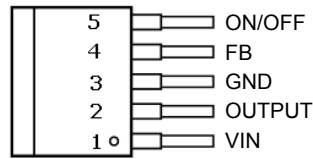
CHARACTERISTIC	SYMBOL	MIN.	MAX.	UNIT
Supply Voltage	V_{IN}	-	40	V
Load Current	I_{LOAD}	-	5	A
Junction Temperature	T_J	-40	125	°C

ORDERING INFORMATION

VOUT	Package	Order No.	Description	Status
ADJ	TO-263-5L	TJ1501BGR-ADJ	5A, 300KHz	Active
3.3V	TO-263-5L	TJ1501BGR-3.3	5A, 300KHz	Contact Us
5.0V	TO-263-5L	TJ1501BGR-5.0	5A, 300KHz	Contact Us
12V	TO-263-5L	TJ1501BGR-12	5A, 300KHz	Contact Us



PIN CONFIGURATION



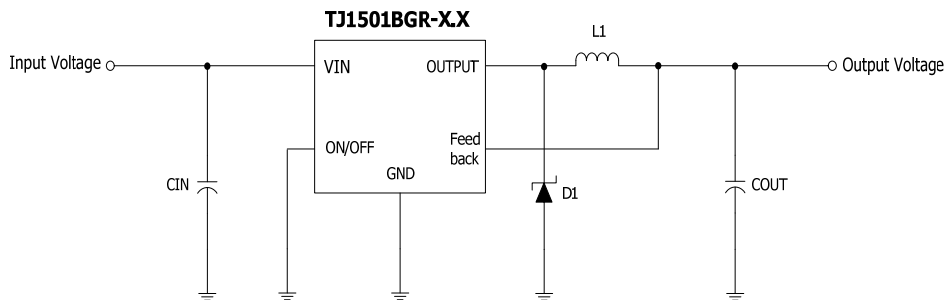
TO-263-5L

PIN DESCRIPTION

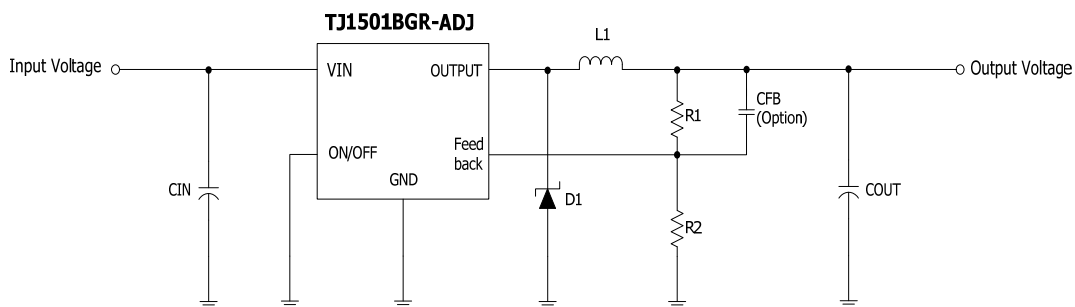
Pin No.	TO-263-5L PKG	
	Name	Function
1	VIN	Operating Input Voltage
2	OUTPUT	Switching Output Voltage
3	GND	Ground
4	FB	Output Voltage Feedback Control
5	ON/OFF	ON/OFF Shutdown

TYPICAL APPLICATION

- Fixed Output Voltage Version



- Adjustable Output Voltage Version



5A, 300KHz, Step-down Switching Regulator

TJ1501B

ELECTRICAL CHARACTERISTICS

Specification with standard type face are for $T_J=25^\circ\text{C}$, and those with **boldface type** apply over **full Operating Temperature Range**. Unless otherwise specified, $V_{IN}=12\text{V}$ for the 3.3V, 5V, and Adjustable version and $V_{IN}=24\text{V}$ for the 12V version. $I_{LOAD}=500\text{mA}$

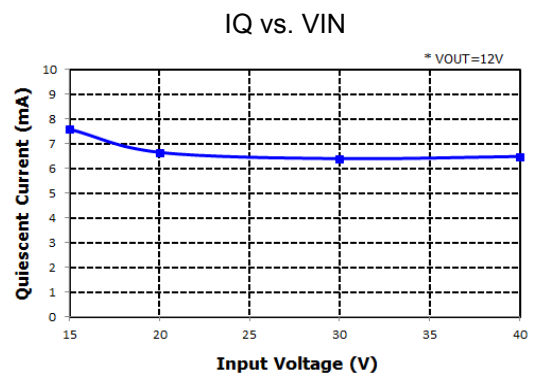
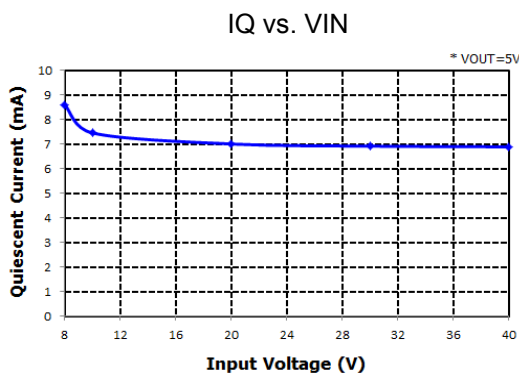
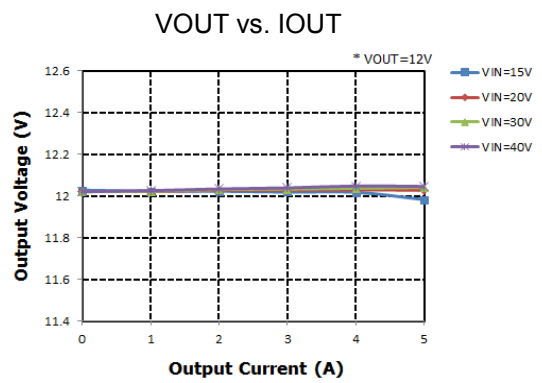
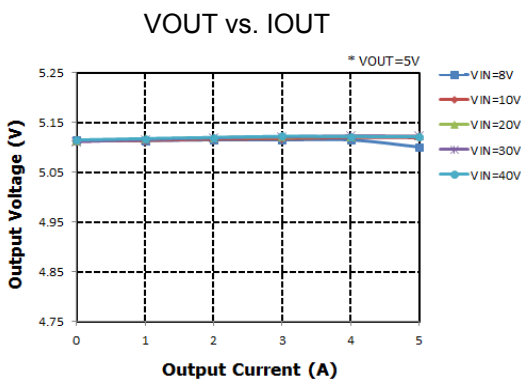
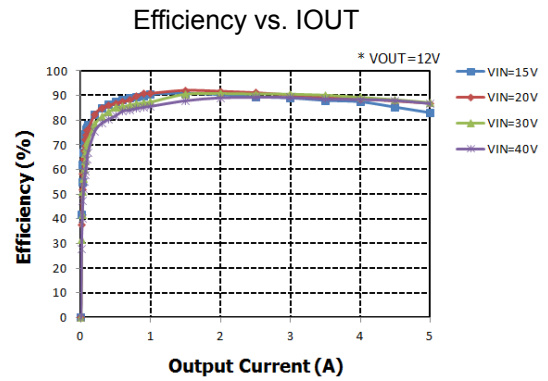
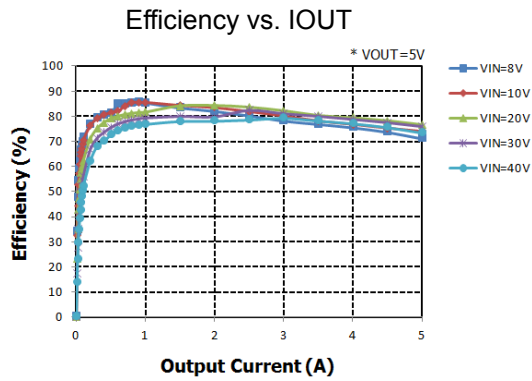
Characteristic	Symbol	Test Condition	Min. (Note 3)	Typ. (Note 2)	Max. (Note 3)	Unit	
SYSTEM PARAMETERS (Note 4)							
Efficiency	η	TJ1501BGR-ADJ	$V_{IN}=12\text{V}, I_{LOAD}=5\text{A}$		80	%	
		TJ1501BGR-3.3	$V_{IN}=12\text{V}, I_{LOAD}=5\text{A}$		70		
		TJ1501BGR-5.0	$V_{IN}=12\text{V}, I_{LOAD}=5\text{A}$		75		
		TJ1501BGR-12	$V_{IN}=18\text{V}, I_{LOAD}=5\text{A}$		85		
Output Voltage	V_{OUT}	TJ1501BGR-3.3	$5.5\text{V} \leq V_{IN} \leq 40\text{V}$	3.168	3.3	3.432	V
			$0.2\text{A} \leq I_{LOAD} \leq 5\text{A}$	3.135		3.465	
		TJ1501BGR-5.0	$8\text{V} \leq V_{IN} \leq 40\text{V}$	4.800	5.0	5.200	
			$0.2\text{A} \leq I_{LOAD} \leq 5\text{A}$	4.750		5.250	
		TJ1501BGR-12	$15\text{V} \leq V_{IN} \leq 40\text{V}$	11.520	12	12.480	
			$0.2\text{A} \leq I_{LOAD} \leq 5\text{A}$	11.400		12.600	
Feedback Voltage	V_{FB}	TJ1501BGR-ADJ	$5.2\text{V} \leq V_{IN} \leq 40\text{V}$	1.193	1.23	1.267	V
			$0.2\text{A} \leq I_{LOAD} \leq 5\text{A}$	1.180		1.280	
			V_{OUT} programmed for 3V				
DEVICE PARAMETERS							
Feedback Bias Current	I_{FB}	Adjustable Version Only, $V_{FB}=1.3\text{V}$		15	50	nA	
Oscillator Frequency	F_O	(Note 5)	255	300	345	kHz	
Saturation Voltage	V_{SAT}	$I_{OUT}=5\text{A}$ (Note 6, 7)		1.65	1.85	V	
Max Duty Cycle (ON)	DC	(Note 7)		100		%	
Max Duty Cycle (ON)		$I_{LOAD} \geq 4\text{A}$		50			
Min Duty Cycle (OFF)		(Note 8)		0			
Current Limit	I_{CL}	Peak Current (Note 6, 7)		6.9		A	
Output Leakage Current	I_L	Output=0V (Note 6, 8)			50	μA	
		Output=-1V (Note 9)		10	30	mA	
Quiescent Current	I_Q	(Note 8)		5	10	mA	
Shutdown Current	$I_{SHUTDOWN}$	ON/OFF pin = 5V(OFF) (Note 9)		80	200	μA	
ON/OFF Control							
ON/OFF Pin Logic Input Threshold voltage	V_{IH}	Low (Regulator ON)		1.3		V	
			High (Regulator OFF)	2.0			
							0.6
ON/OFF Pin Logic Input current	I_H	$V_{LOGIC} = 2.5\text{V}$ (regulator OFF)		5	15	μA	
	I_L	$V_{LOGIC} = 0.5\text{V}$ (regulator ON)		0.02	5		

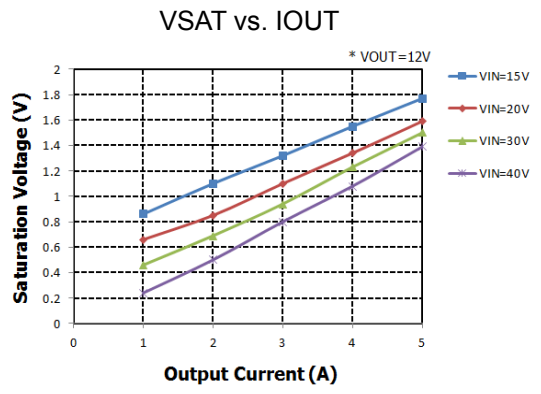
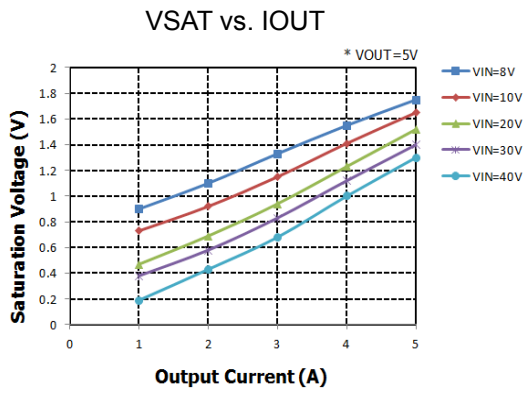
5A, 300KHz, Step-down Switching Regulator

TJ1501B

-
- Note 1:** Absolute Maximum Rating indicate limits beyond which damage to the device may occur. Operating Ratings indicate condition for which the device is intended to be functional, but do not guarantee specific performance limits. For guaranteed specifications and test conditions, see the Electrical Characteristics.
- Note 2:** Typical numbers are at 25°C and represent the most likely norm.
- Note 3:** All limits guaranteed at room temperature (standard type face) and at temperature extremes (**bold type face**).
- Note 4:** External components such as the schottky diode, inductor, input and output capacitors, and voltage programming resistors can affect switching regulator system performance. When the TJ1501B is used as shown in the typical circuit, system performance will be as shown in system parameters section of Electrical Characteristics.
- Note 5:** The switching frequency is reduced when the second stage current limit is activated. The amount of reduction is determined by the severity of current over-load.
- Note 6:** No diode, inductor or capacitor connected to output pin.
- Note 7:** Feedback pin removed from output and connected to 0V to force the output transistor switch ON.
- Note 8:** Feedback pin removed from output and connected to 12V for the 3.3V, 5V, and the ADJ version, and 15V for the 12V version, to force the output transistor switch OFF.
- Note 9:** VIN = 40V.

TYPICAL OPERATING CHARACTERISTIC

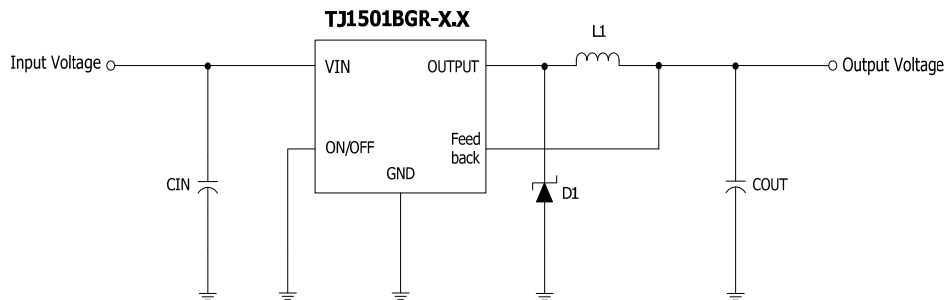




APPLICATION INFORMATION

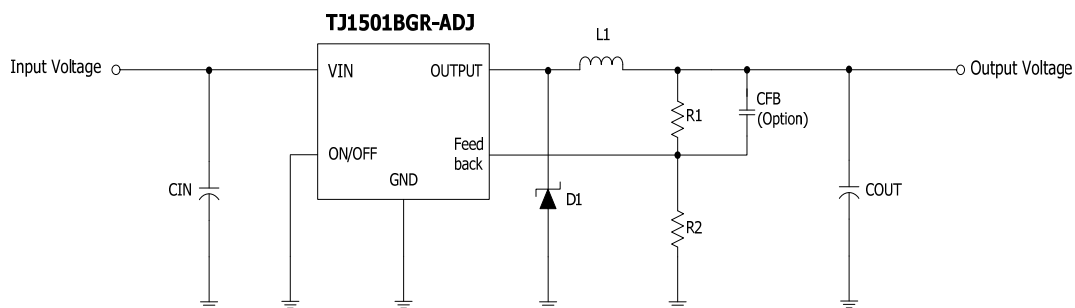
As in any switching regulator, layout is very important. Rapidly switching currents associated with wiring inductance generate voltage transients which can cause problems. For minimal inductance and ground loops, the length of the wires should be kept as short as possible. Single-point grounding or ground plane construction should be used for best results. Keep the feedback wiring away from the inductor flux

- Fixed Output Voltage Version



[Figure 1]

- Adjustable Output Voltage Version



[Figure 2]

$$* V_{OUT} = V_{FB} \left(1 + \frac{R1}{R2}\right), \text{ Where } V_{FB} = 1.23V$$

REVISION NOTICE

The version of this document is including preliminary information. Thus the description in this datasheet can be revised without any notice to describe its electrical characteristics properly. Its version also can be changed to a production level. Please contact us to get the latest version of datasheet.