



# 1000Base-T DUAL Port Through hole magnetics



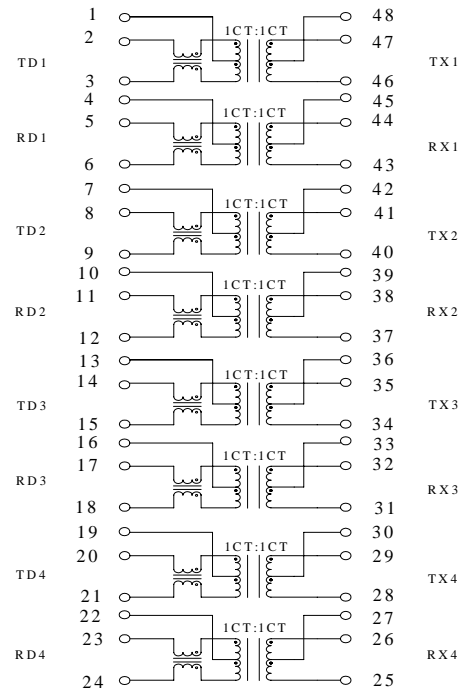
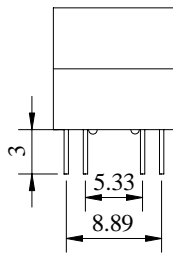
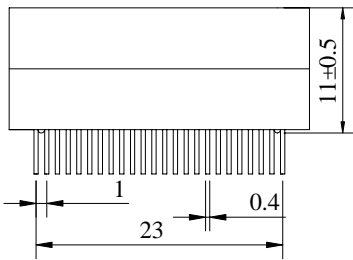
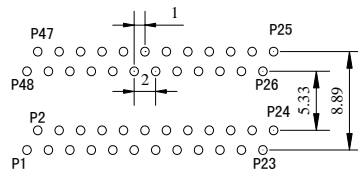
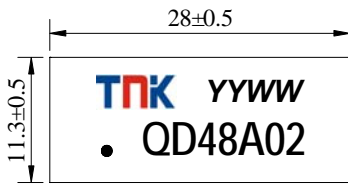
- ✚ Designed to meet IEEE802.3ab requirement
- ✚ Primary inductance 350uH min with 8mA DC Bias
- ✚ RoHS Compliant
- ✚ Operating temperature range:0°Cto+70°C
- ✚ Storage temperature range:-25°Cto+125°C

## Electrical Specifications @ 25°C

Part Number	Turn Ratio		Insertion Loss 1~100Mz (dB Max)	Return Loss (dB Min)					Cross Talk (dB Min)			DCMR (dB Min)			Hi-Pot (Vrms)
	Tx	Rx		1-30 MHz	40 MHz	50 MHz	60-80 MHz	100 MHz	30 MHz	60 MHz	100 MHz	30 MHz	60 MHz	100 MHz	
QD48A02	1:1	1:1	-1.1	-18	-16	-14.1	-12.5	-10	-40	-35	-30	-43	-37	-33	1500

## Mechanical

## Schematics



Dimension:mm

Unless otherwise specified,tolerances:±0.25(mm)

Data sheet subject to change without notice