

TPS2475x 12-A eFuse Circuit Protector with Current Monitor

1 Features

- 2.5 V to 18 V Bus Operation
- Continuous Current up to 12 A
- Integrated MOSFET with $R_{DS(on)}$ of 3 m Ω (Typical)
- Programmable Current Limit
- Programmable FET SOA Protection
- High I_{Limit} Accuracy from 10 mA to 12 A
- Programmable Fault Timer
- Fast Breaker for Short-Circuit Protection
- Programmable VOUT Slew Rate, UV and OV
- Power-Good and Fault Outputs
- Analog Load Current Monitor
- Thermal Shutdown

2 Applications

- Server
- High Current Load Switch
- Communications Equipment
- Plug-In Modules
- RAID Systems
- Base Stations
- Fan Control

3 Description

The TPS2475x provide highly integrated load protection for 2.5 V to 18 V applications. The devices integrate a hot swap controller and a power MOSFET in a single package for small form factor applications. These devices protect source, load and internal MOSFET from potentially damaging events. During startup, load current and MOSFET power dissipation are limited to user-selected values. After startup, currents above the user-selected limit will be allowed to flow until programmed timeout – except in extreme overload events when load is immediately disconnected from source.

Programmable FET SOA protection ensures the internal MOSFET operates within its safe operating area (SOA) at all times and the load starts up at a defined ramp rate. This enhances the internal MOSFET performance while improving system reliability. Power good, Fault, and current monitor outputs are provided for system status monitoring and downstream load control.

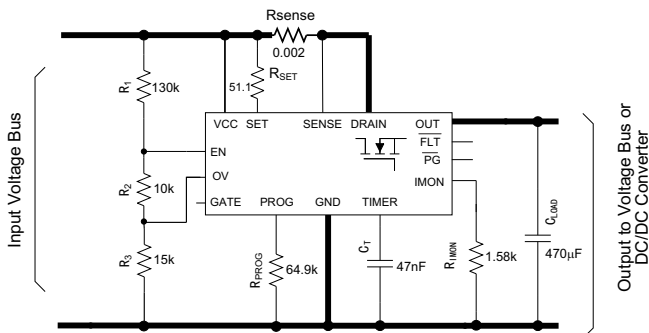
The devices are available in a 36-pin, 7-mm × 3.5-mm, QFN (RUV) package and fully specified over the –40°C to +125°C operating junction temperature.

Device Information⁽¹⁾

PART NUMBER	PACKAGE	BODY SIZE (NOM)
TPS24750	VQFN	7.00 mm × 3.50 mm
TPS24751		

(1) For all available packages, see the orderable addendum at the end of the data sheet.

Application Schematic (12 V at 10 A)



Transient Output Short Circuit Response

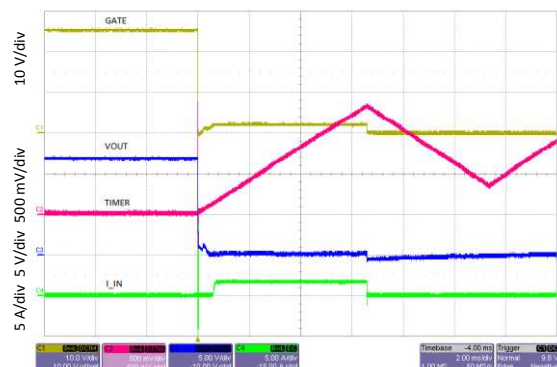


Table of Contents

1 Features	1	10 Application and Implementation	25
2 Applications	1	10.1 Application Information.....	25
3 Description	1	10.2 Typical Applications	25
4 Revision History	2	10.3 System Examples	32
5 Device Comparison Table	3	11 Power Supply Recommendations	34
6 Pin Configuration and Functions	3	11.1 Transient Thermal Impedance	34
7 Specifications	5	12 Layout	35
7.1 Absolute Maximum Ratings	5	12.1 Layout Guidelines	35
7.2 ESD Ratings.....	5	12.2 Layout Example	35
7.3 Recommended Operating Conditions.....	5	13 Device and Documentation Support	37
7.4 Thermal Information	5	13.1 Documentation Support	37
7.5 Electrical Characteristics.....	6	13.2 Related Links	37
7.6 Typical Characteristics.....	8	13.3 Receiving Notification of Documentation Updates	37
8 Parametric Measurement Information	13	13.4 Community Resources.....	37
9 Detailed Descriptions	14	13.5 Trademarks	37
9.1 Overview	14	13.6 Electrostatic Discharge Caution.....	37
9.2 Functional Block Diagram	14	13.7 Export Control Notice.....	38
9.3 Feature Description	15	13.8 Glossary	38
9.4 Device Functional Modes.....	18	14 Mechanical, Packaging, and Orderable Information	38

4 Revision History

NOTE: Page numbers for previous revisions may differ from page numbers in the current version.

Changes from Revision A (September 2015) to Revision B	Page
• Added designator C1 to Figure 41	26
• Updated STEP 5. Select R₁, R₂, and R₃ for UV and OV section	29

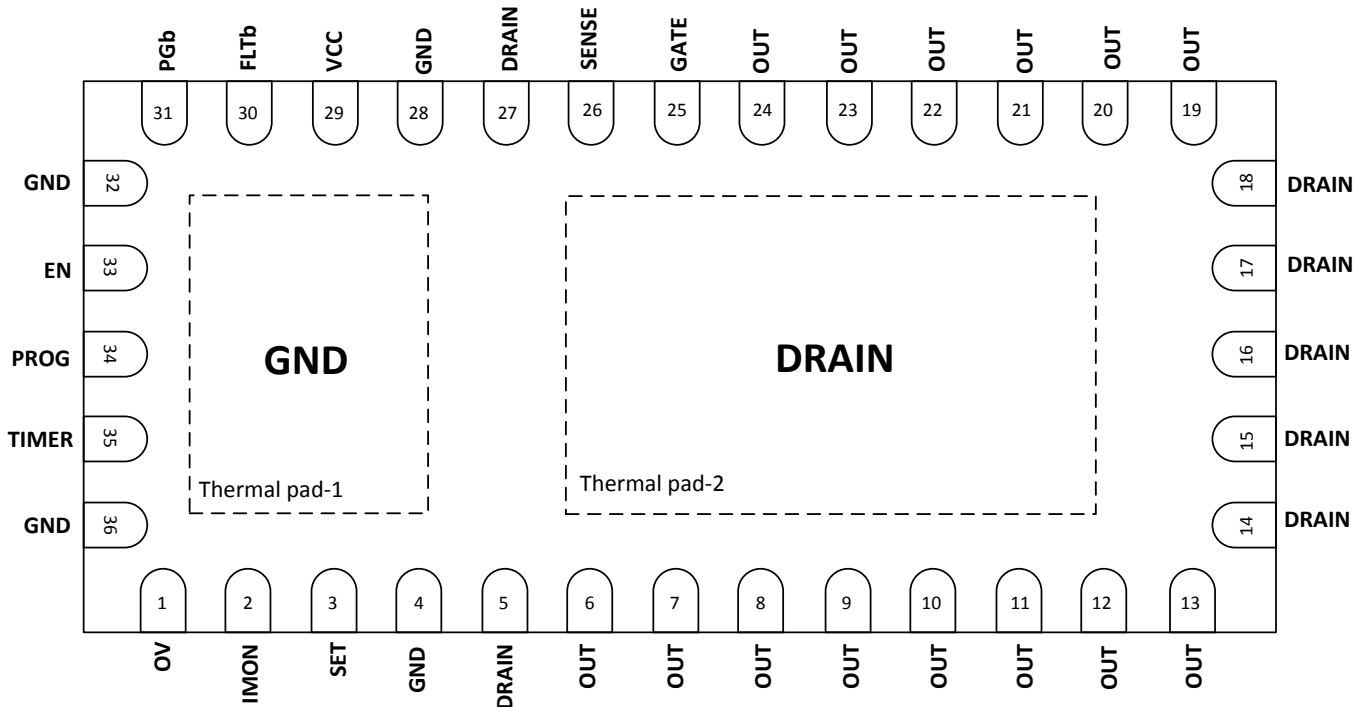
Changes from Original (October 2013) to Revision A	Page
• Added the <i>ESD Ratings</i> table, <i>Detailed Descriptions</i> , <i>Feature Description</i> , <i>Device Functional Modes</i> , <i>Application and Implementation</i> , <i>Power Supply Recommendations</i> , <i>Device and Documentation Support</i> , and <i>Mechanical, Packaging, and Orderable Information</i>	1
• Deleted <i>Features</i> "FET short detection (TPS24752, TPS24753)"	1
• Changed the Application Schematic image. Deleted C _{VIN} and D1	1
• Deleted devices TPS24752 and TPS24753 from the data sheet.....	3
• Deleted list item from the Overview section: "Internal MOSFET short detection (TPS24752/3 only)".....	14
• Removed notes for pin 30 and 31 from the Functional Block Diagram	14
• Deleted section <i>Fault Detection of Internal Mosfet Short</i>	24
• Changed Figure 40 . Deleted C _{VIN} and D1	25
• Changed text in STEP 3. Choose Output Voltage Rising Time, t_{ON}, and Timing Capacitor C_T From: "maximum steady state junction temperature (T _{JDMAX} = T _{A(MAX)} + I _{LIM} ² × R _{(DS)ON})." To: "maximum steady state junction temperature (T _{JDMAX} = T _{A(MAX)} + I _{LIM} ² × R _{(DS)ON} × R _{θJA})."	28
• Changed Figure 46 and Figure 47 . Deleted C _{VIN} and D1.....	32
• Added text and Figure 48 to System Examples	33
• Changed Figure 51	35
• Added Figure 52	36

5 Device Comparison Table

Part Number	Operating Voltage Range	Function	Fault Response	Status
TPS24750RUV	2.5 V-18 V	Integrated hot swap protector	Latch	Active
TPS24751RUV	2.5 V-18 V	Integrated hot swap protector	Auto retry	Active

6 Pin Configuration and Functions

TPS24750, TPS24751 RUV Package
36-Pin VQFN
Top View



Pin Functions

PIN		TYPE	DESCRIPTION
NAME	NO.		
DRAIN	5, 14-18, 27	I	The drain of the internal pass MOSFET. Connect to a terminal of current sense resistor in the power path
EN	33	I	Active high enable input. Logic input. Connects to resistor divider
FLTb	30	I	Active-low, open-drain output indicates overload fault timer has turned internal FET off
GATE	25	I/O	Gate driver output for the internal MOSFET
GND	4, 28, 32, 36	GND	Ground
IMON	2	O	Load current analog and current limit program point. Connect R_{IMON} to ground
OUT	6-13, 19-24	I/O	Internally connect to the source of internal pass MOSFET. Connect to output capacitors and load
OV	1	I	Overvoltage comparator input. Connects to resistor divider. GATE is pulled low when OV exceeds the threshold
Pad-1	—	—	Tied to GND
Pad-2	—	—	Tied to DRAIN
PGb	31	O	Active-low, open-drain power good indicator. Status is determined by the voltage across the MOSFET

Pin Functions (continued)

PIN		TYPE	DESCRIPTION
NAME	NO.		
PROG	34	I	Power-limiting programming pin. A resistor from this pin to GND sets the maximum power dissipation for the internal pass MOSFET
SENSE	26	I	Current sensing input for resistor shunt from VCC to SENSE. Connect to a terminal of current sense resistor
SET	3	I	Current limit programming set pin. A resistor is connected from this pin to VCC
TIMER	35	I/O	A capacitor connected from this pin to GND provides a fault timing function
VCC	29	I	Input voltage sense and power supply

7 Specifications

7.1 Absolute Maximum Ratings

over operating free-air temperature range, all voltages referred to GND (unless otherwise noted) ⁽¹⁾

		MIN	MAX	UNIT
Input voltage	DRAIN, EN, FLTb ⁽²⁾ , GATE, OUT, PGb ⁽²⁾ , SENSE, SET ⁽²⁾ , VCC	-0.3	30	V
	OV	-0.3	20	
	PROG ⁽²⁾	-0.3	3.6	
	[SET, SENSE] to VCC	-0.3	0.3	
	IMON, TIMER	-0.3	5	
Sink current	FLTb, PGb		5	mA
Source current	PROG	Internally limited		
	IMON		5	mA
T _J	Maximum junction temperature	150		°C
T _{STG}	Storage temperature	-65	150	°C

- (1) Stresses beyond those listed under *Absolute Maximum Ratings* may cause permanent damage to the device. These are stress ratings only, which do not imply functional operation of the device at these or any other conditions beyond those indicated under *Recommended Operating Conditions*. Exposure to absolute-maximum-rated conditions for extended periods may affect device reliability.
- (2) Do not apply voltage directly to these pins.

7.2 ESD Ratings

		VALUE	UNIT
V _(ESD)	Electrostatic discharge		V
	Human-body model (HBM), per ANSI/ESDA/JEDEC JS-001 ⁽¹⁾	±500	
	Charged-device model (CDM), per JEDEC specification JESD22-C101 ⁽²⁾	±500	

- (1) JEDEC document JEP155 states that 500-V HBM allows safe manufacturing with a standard ESD control process
- (2) JEDEC document JEP157 states that 250-V CDM allows safe manufacturing with a standard ESD control process.

7.3 Recommended Operating Conditions

over operating free-air temperature range (unless otherwise noted)

		MIN	MAX	UNIT
Input voltage	OV	0	16	V
	SENSE, SET ⁽¹⁾ , VCC ⁽²⁾	2.5	18	
	EN, FLTb, GATE ⁽²⁾ , PGb, OUT ⁽²⁾ , DRAIN ⁽²⁾	0	18	
Sink current	FLTb, PGb	0	2	mA
Source current	IMON	0	1	mA
Resistance	PROG	4.99	500	kΩ
External capacitance	TIMER	1		nF
	GATE ⁽³⁾		1	μF
T _J	Operating junction temperature	-40	125	°C

- (1) Do not apply voltage directly to these pins.
- (2) See the [Gate Clamp Diode](#) section for additional precaution to be taken for operating voltages >14 V.
- (3) External capacitance tied to GATE must be in series with a resistor no less than 1 kΩ.

7.4 Thermal Information

THERMAL METRIC ⁽¹⁾		TPS2475x	UNIT
		RUV (VQFN)	
		36 PINS	
R _{θJA}	Junction-to-ambient thermal resistance	33.7	°C/W
R _{θJC(top)}	Junction-to-case (top) thermal resistance	28.2	°C/W
R _{θJB}	Junction-to-board thermal resistance	5.8	°C/W
ψ _{JT}	Junction-to-top characterization parameter	0.3	°C/W

- (1) For more information about traditional and new thermal metrics, see the [Semiconductor and IC Package Thermal Metrics](#) application report.

Thermal Information (continued)

THERMAL METRIC ⁽¹⁾		TPS2475x	UNIT
		RUV (VQFN)	
		36 PINS	
Ψ_{JB}	Junction-to-board characterization parameter	5.7	°C/W
$R_{\theta JC(bot)}$	Junction-to-case (bottom) thermal resistance	1.1	°C/W

7.5 Electrical Characteristics

–40°C ≤ T_J ≤ +125°C, V_{CC} = 12 V, V_{EN} = 3 V, R_{SET} = 191 Ω, R_{IMON} = 5 kΩ, and R_{PROG} = 50 kΩ to GND. All voltages referenced to GND, unless otherwise noted.

PARAMETER		CONDITIONS	MIN	NOM	MAX	UNIT
VCC						
	UVLO threshold, rising		2.20	2.32	2.45	V
	UVLO threshold, falling		2.10	2.22	2.35	V
	UVLO hysteresis ⁽¹⁾			0.1		V
	Supply current	Enabled — I _{OUT} + I _{VCC} + I _{SENSE}	0.5	1	1.4	mA
		Disabled ⁽¹⁾ — EN = 0 V, I _{OUT} + I _{VCC} + I _{SENSE}		0.45		mA
OUT						
R _{ON}	On-resistance	1 A ≤ I _{OUT} ≤ 10 A at T _J = 25°C		3	3.5	mΩ
		1 A ≤ I _{OUT} ≤ 10 A at T _J = 125°C		5	6	mΩ
	Input bias current	V _{OUT} = 12 V	10	16	30	μA
	Diode forward voltage	V _{EN} = 0 V, I _{OUT} = –100 mA, V _{OUT} > V _{SENSE}		0.8	1	V
	Leakage current - DRAIN to OUT	V _{EN} = 0 V, V _{OUT} = 0 V, V _{DRAIN} = 18 V at 25°C		0	1	μA
		V _{EN} = 0 V, V _{OUT} = 0 V, V _{DRAIN} = 18 V at 125°C		2	5	μA
C _{iss}	Input capacitance			2710	3250	pF
C _{oss}	Output capacitance	V _{GS} = 0 V, V _{DRAIN-OUT} = 15 V, f = 1 MHz		635	762	pF
C _{rss}	Reverse transfer capacitance			48	60	pF
Q _g	Gate charge total (4.5 V)			17.5	21.5	nC
Q _{g(th)}	Gate charge at V _{th}	V _{DRAIN-OUT} = 15 V, I _{OUT} = 20 A		4.1		nC
EN						
	Threshold voltage, falling		1.2	1.3	1.4	V
	Hysteresis ⁽¹⁾			50		mV
	Input leakage current	0 V ≤ V _{EN} ≤ 30 V	–1	0	1	μA
	Turnoff time	EN ↓ to V _{GATE} < 1 V	3	8	25	μs
	Deglitch time	EN ↑	8	14	21	μs
	Disable delay	EN ↓ to GATE ↓, C _{GATE} = 0, t _{pf50–90} , See Figure 28	0.1	0.4	1.8	μs
	Turnon delay	C _{OUT} = 2.2 μF, V _{EN} ↑ to V _{OUT} ↑, V _{EN} : 0 V to 3 V, V _{OUT} : 90% V _{CC}		800		μs
OV						
	Threshold voltage, rising		1.25	1.35	1.45	V
	Hysteresis ⁽¹⁾			60		mV
	Input leakage current	0 V ≤ V _{OV} ≤ 30 V	–1	0	1	μA
	Deglitch time	OV rising	0.5	1.2	1.5	μs
FLTb						
	Output low voltage	Sinking 2 mA		0.11	0.25	V
	Input leakage current	V _{FLTb} = 0 V, 30 V	–1	0	1	μA
PGb						
	Threshold	V _(SENSE – OUT) rising, PGb going high	140	220	340	mV
	Hysteresis ⁽¹⁾	Measured V _(SENSE – OUT) falling, PGb going low		70		mV
	Output low voltage	Sinking 2 mA		0.11	0.25	V
	Input leakage current	V _{PGb} = 0 V, 30 V	–1	0	1	μA

(1) These parameters are provided for reference only and do not constitute part of TI's published device specifications for purposes of TI's product warranty.

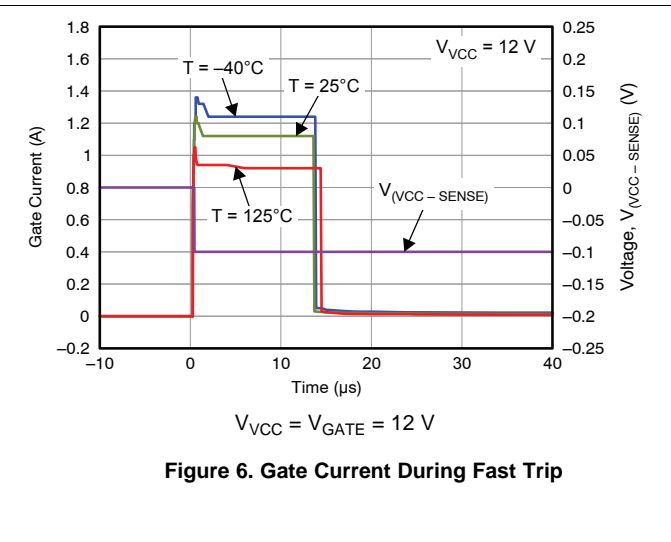
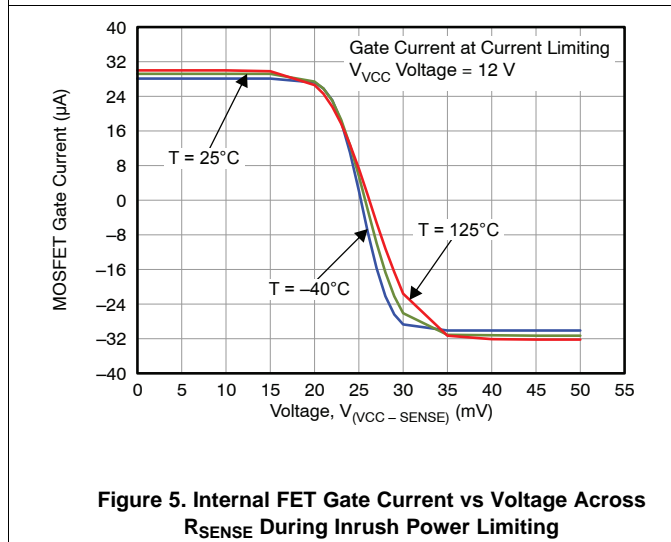
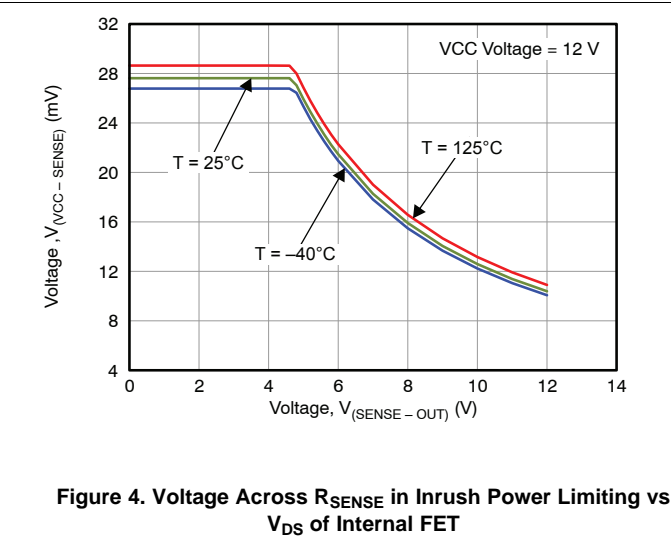
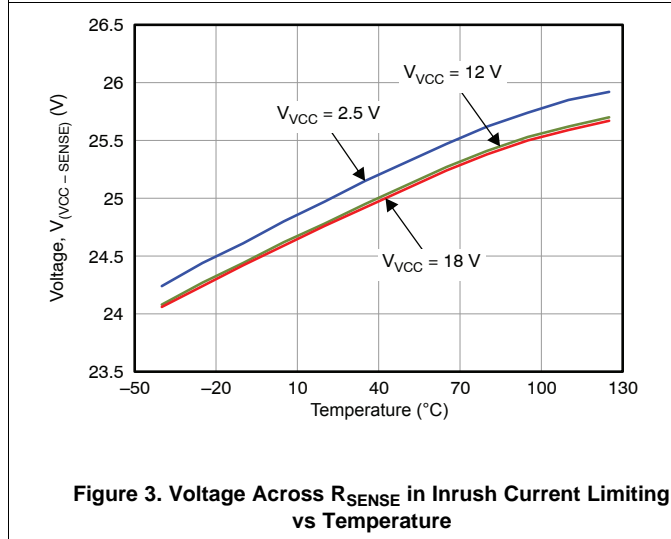
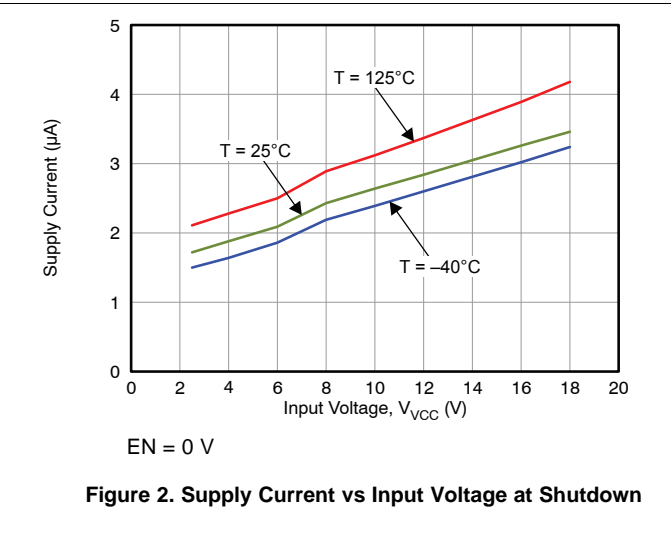
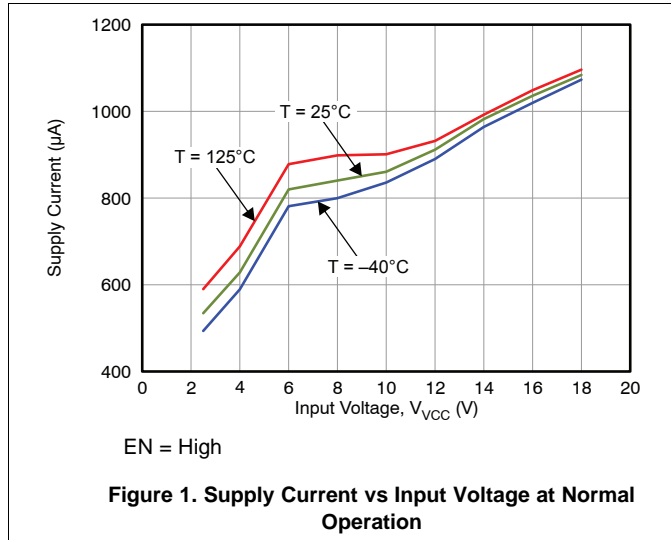
Electrical Characteristics (continued)

–40°C ≤ T_J ≤ +125°C, V_{CC} = 12 V, V_{EN} = 3 V, R_{SET} = 191 Ω, R_{IMON} = 5 kΩ, and R_{PROG} = 50 kΩ to GND. All voltages referenced to GND, unless otherwise noted.

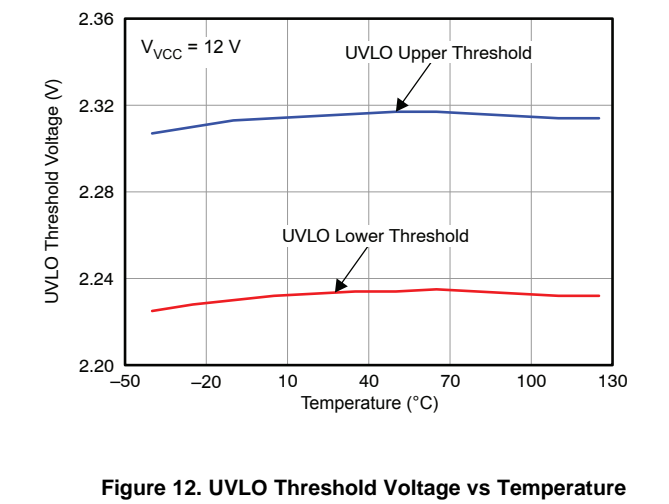
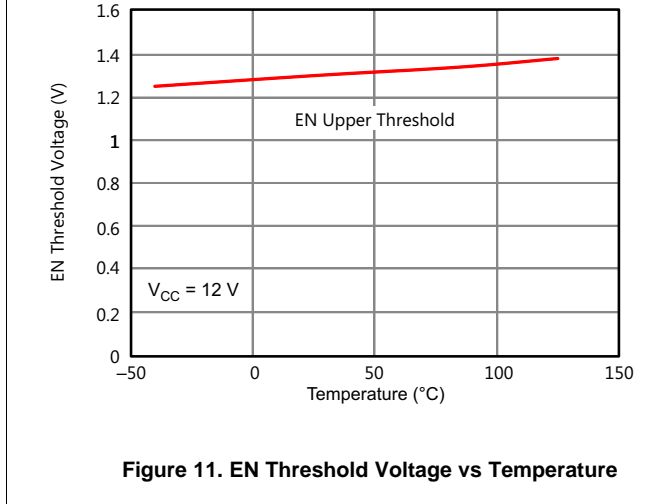
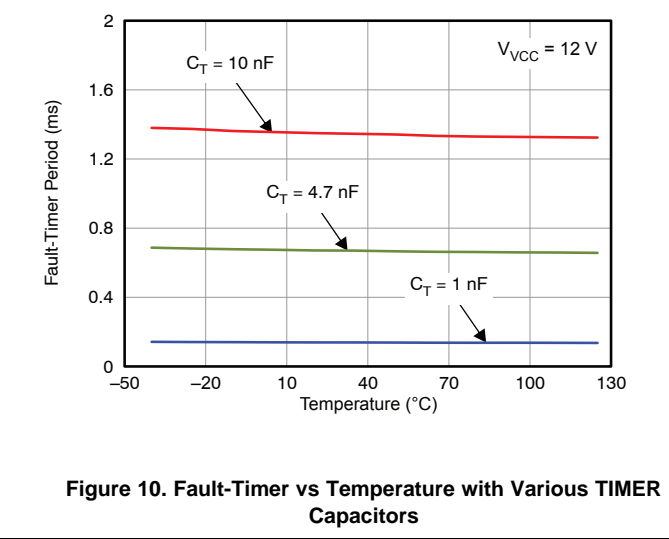
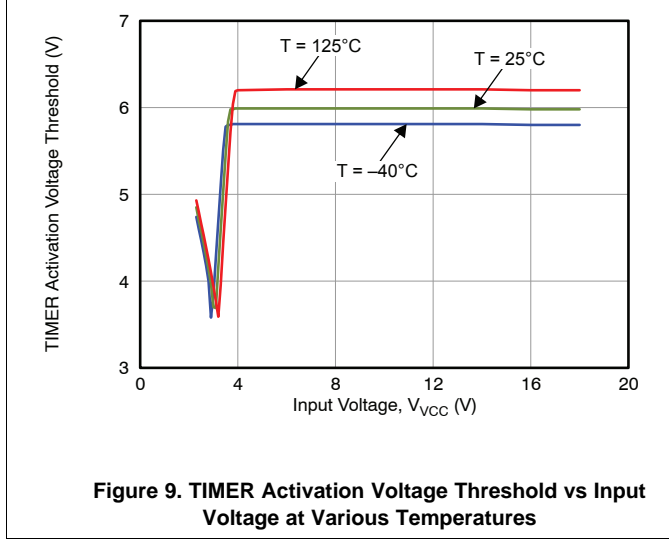
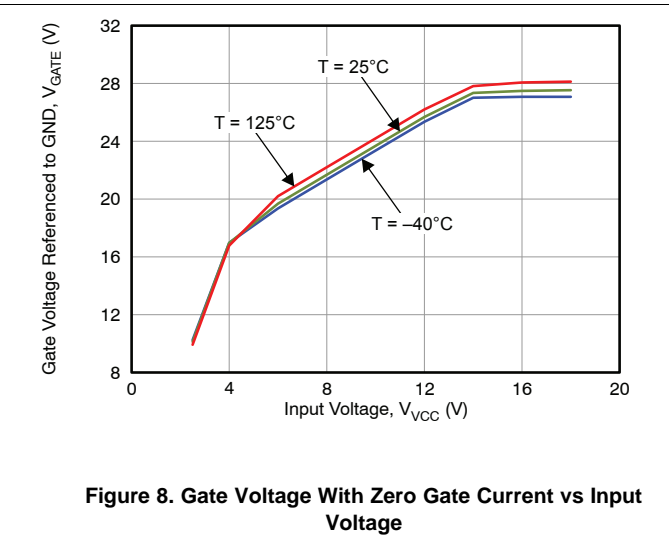
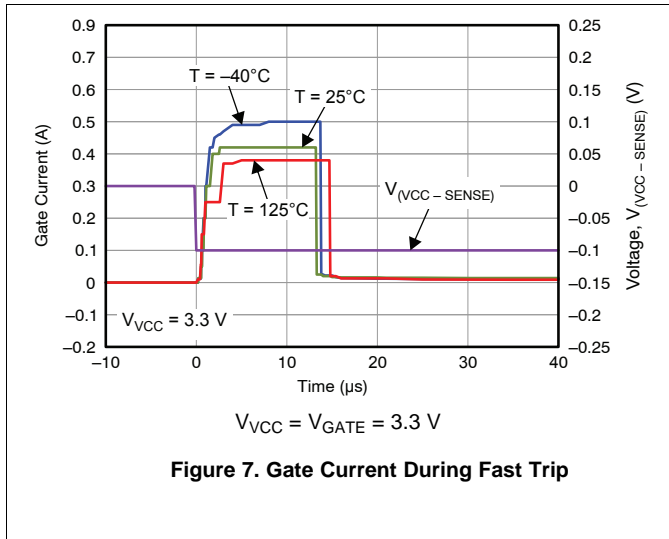
PARAMETER	CONDITIONS	MIN	NOM	MAX	UNIT
Delay (deglitch) time	Rising or falling edge	2	3.4	6	ms
PROG					
Bias voltage	Sourcing 10 μA	0.65	0.675	0.7	V
Input leakage current	V _{PROG} = 1.5 V	–0.2	0	0.2	μA
TIMER					
Sourcing current	V _{TIMER} = 0 V	8	10	12	μA
Sinking current	V _{TIMER} = 2 V	8	10	12	μA
	V _{EN} = 0 V, V _{TIMER} = 2 V	2	4.5	7	mA
Upper threshold voltage		1.3	1.35	1.4	V
Lower threshold voltage		0.33	0.35	0.37	V
Timer activation voltage	Raise GATE until I _{TIMER} sinking, measure V _(GATE – VCC) , V _{VCC} = 12 V	5	5.8	7	V
Retry duty cycle	During over current and short circuit conditions (TPS24751 only)		4%		
IMON					
Circuit breaker threshold		650	675	696	mV
Input referred offset of servo amplifier	At T _J = 25°C	–1	0	1	mV
	T _J from –40°C to +125°C	–1.5	0	1.5	mV
SET					
Input referred offset of servo amplifier	Measure SET to SENSE	–1.5	0	1.5	mV
GATE					
Output voltage	V _{OUT} = 12 V	23.5	25.7	28	V
Clamp voltage	Inject 10 μA into GATE, measure V _(GATE – VCC)	12	13.9	15.5	V
Sourcing current	V _{GATE} = 12 V	20	30	40	μA
Sinking current	Fast turnoff, V _{GATE} = 14 V	0.4	1	1.4	A
	Sustained, V _{GATE} = 4 V to 23 V	6	11	20	mA
	In inrush current limit, V _{GATE} = 4 V to 23 V	20	30	40	μA
Pulldown resistance	Thermal shutdown or V _{EN} = 0 V	14	20	26	kΩ
Fast turnoff duration		8	13	18	μs
Turnon delay	V _{VCC} rising to GATE sourcing, t _{prf50-50} , See Figure 29		100	375	μs
SENSE					
Input bias current	V _{SENSE} = 12 V, sinking current		30	40	μA
Current limit threshold	V _{OUT} = 12 V	22.5	25	27.5	mV
Power limit threshold	V _{DRAIN-OUT} = 8 V, R _{PROG} = 100 kΩ		4		mV
	V _{DRAIN-OUT} = 8 V, R _{PROG} = 50 kΩ	6.6	8	9.6	
	V _{DRAIN-OUT} = 5.37 V, R _{PROG} = 50 kΩ	10	12	14	
	V _{DRAIN-OUT} = 10.3 V, R _{PROG} = 25 kΩ	10	12.5	15	
Fast-trip threshold		52	60	68	mV
Fast-turnoff delay ⁽¹⁾	V _(VCC – SENSE) = 80 mV, C _{GATE} = 0 pF, t _{prf50-50} , See Figure 30		200		ns
OTSD					
Threshold, rising	Temperature referenced to PAD1 of the device. See ⁽²⁾	130	140		°C
Hysteresis ⁽¹⁾			10		°C

(2) The temperature difference between PAD1 and PAD2 must be minimized. See the SOA curve [Figure 27](#) and [Power-Limited Start-Up](#) section for temperature limited design.

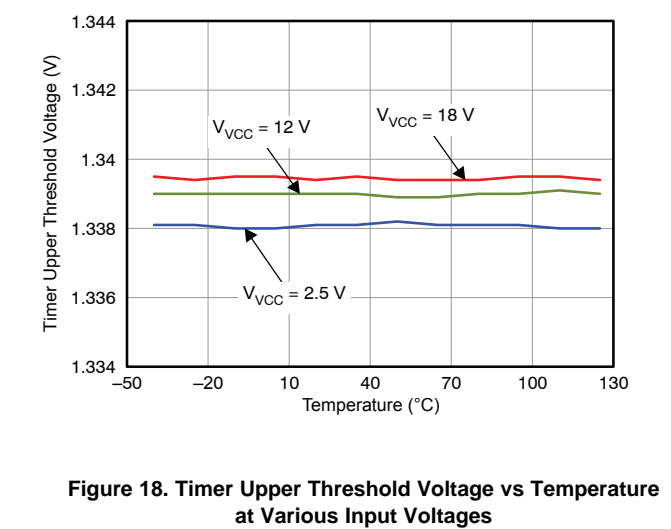
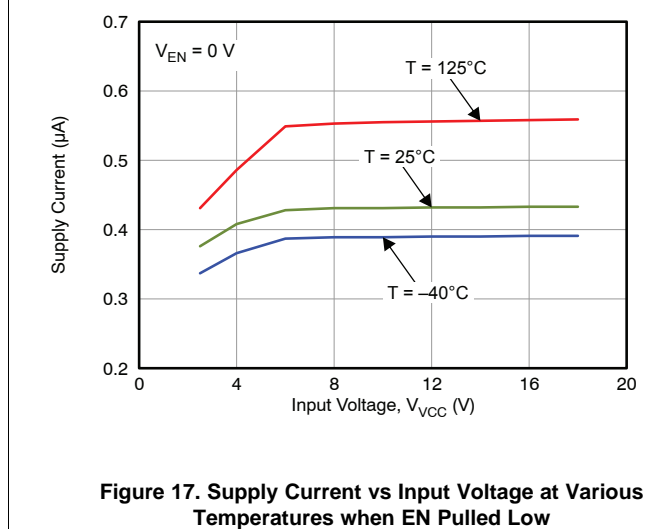
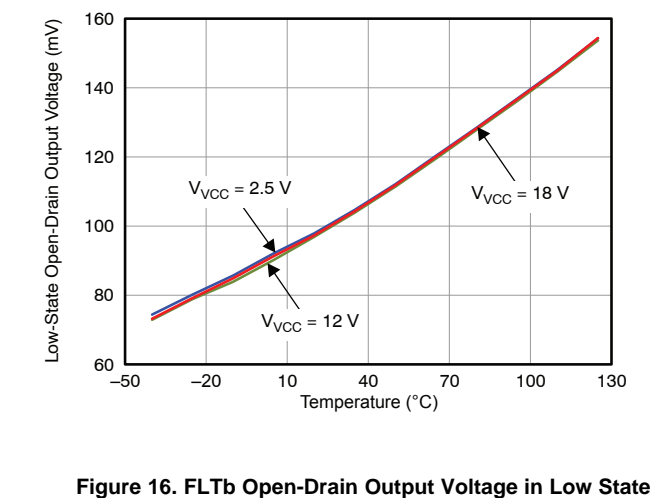
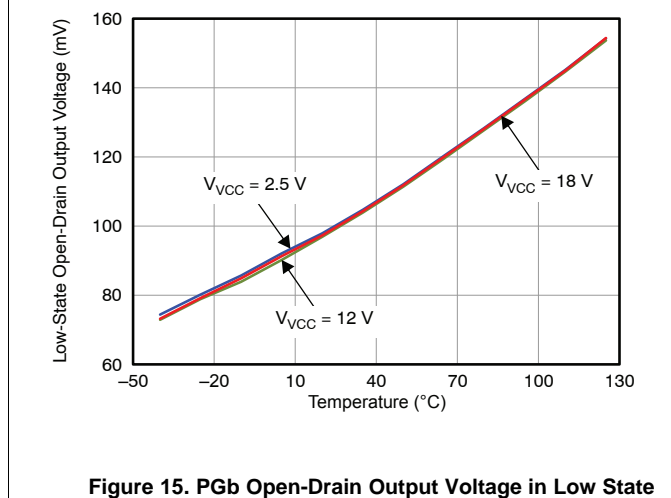
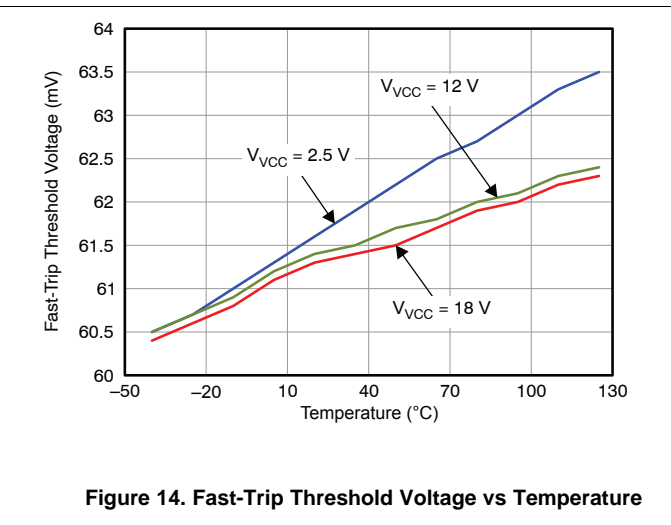
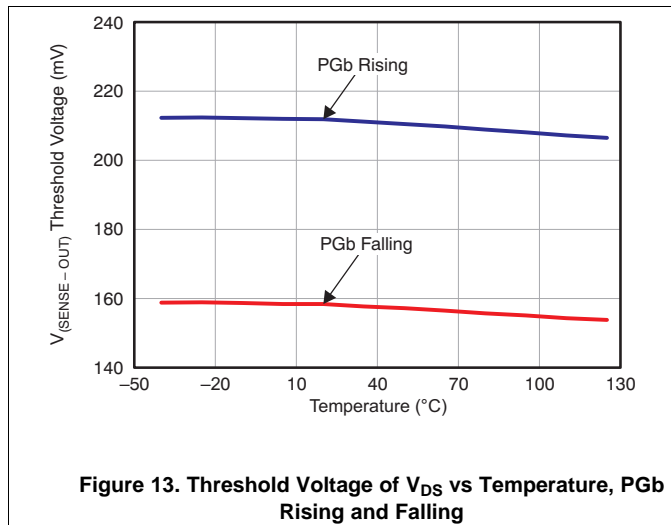
7.6 Typical Characteristics



Typical Characteristics (continued)



Typical Characteristics (continued)



Typical Characteristics (continued)

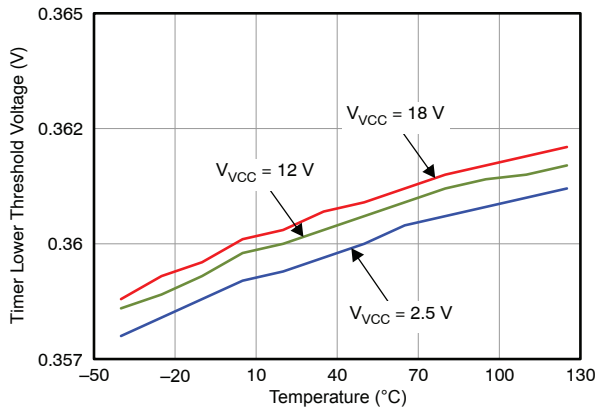


Figure 19. Timer Lower Threshold Voltage vs Temperature at Various Input Voltages

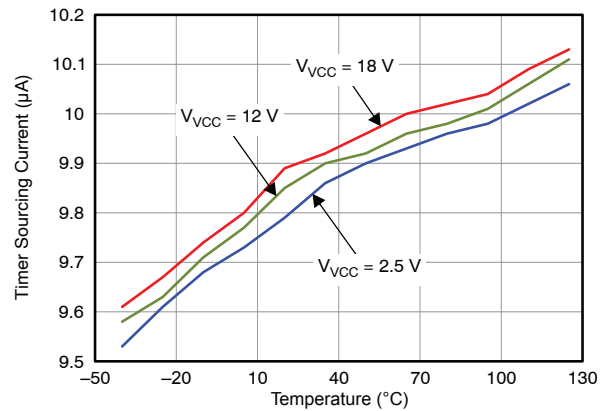


Figure 20. Timer Sourcing Current vs Temperature at Various Input Voltages

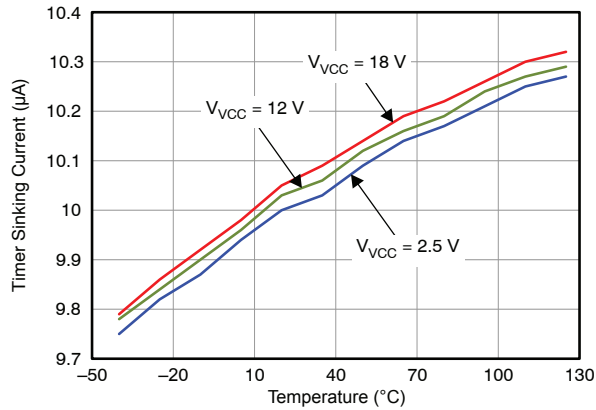


Figure 21. Timer Sinking Current vs Temperature at Various Input Voltages

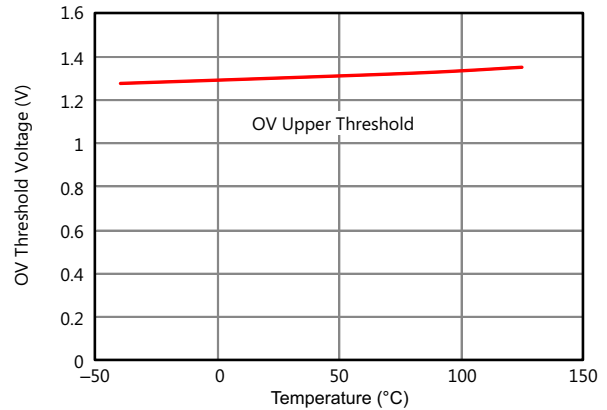


Figure 22. OV Threshold Voltage vs Temperature

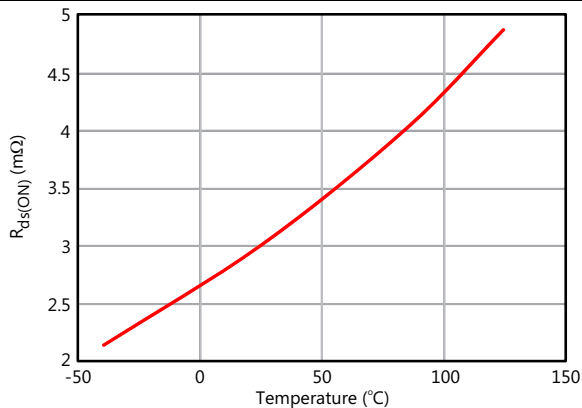


Figure 23. $R_{DS(ON)}$ vs Temperature

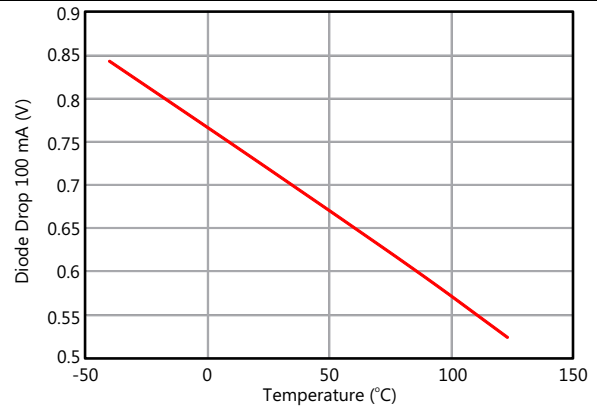


Figure 24. Diode Drop vs Temperature

Typical Characteristics (continued)

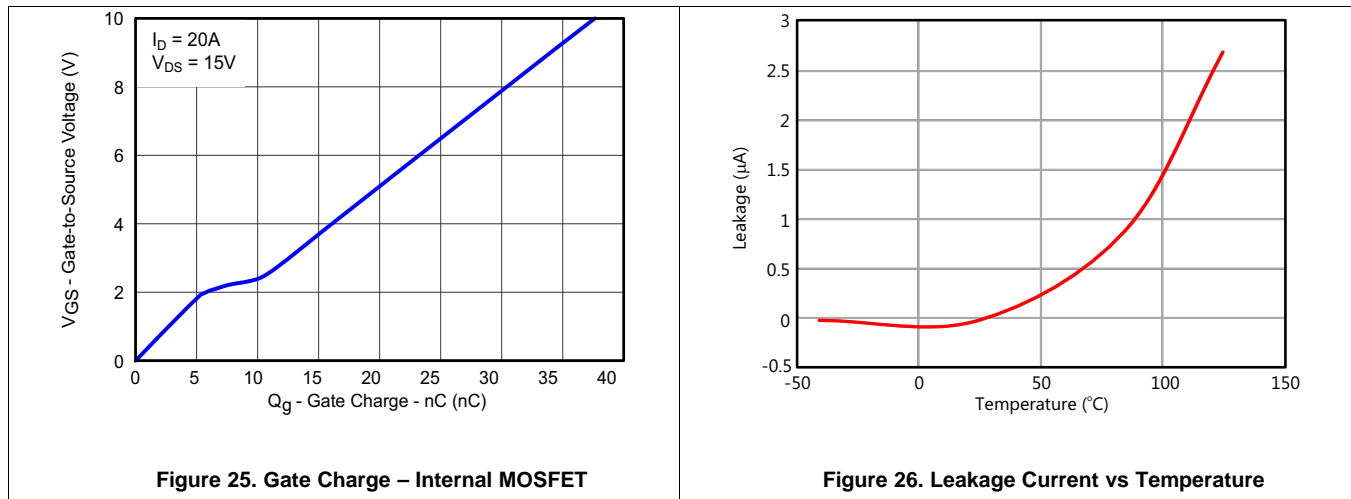


Figure 25. Gate Charge – Internal MOSFET

Figure 26. Leakage Current vs Temperature

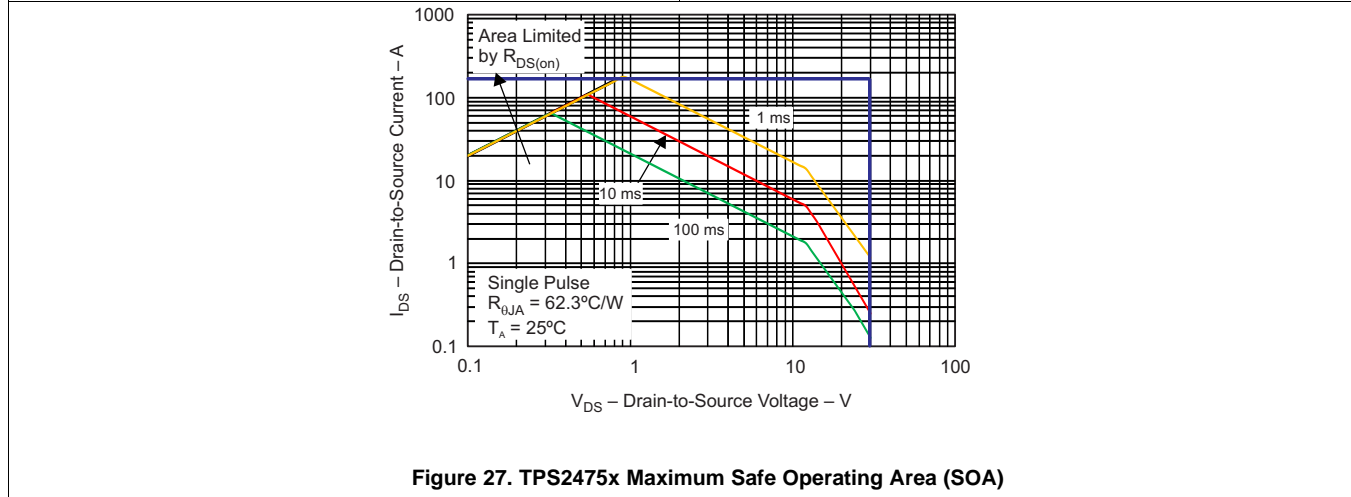
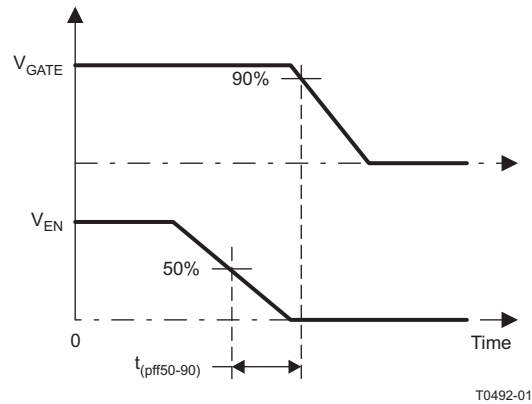


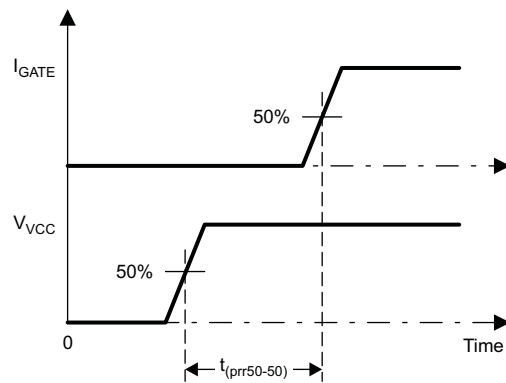
Figure 27. TPS2475x Maximum Safe Operating Area (SOA)

8 Parametric Measurement Information



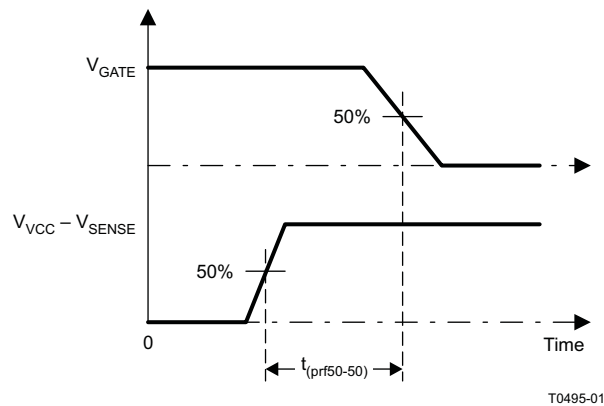
T0492-01

Figure 28. $t_{pff50-90}$ Timing Definition



T0494-01

Figure 29. $t_{pr50-50}$ Timing Definition



T0495-01

Figure 30. $t_{prf50-50}$ Timing Definition

9 Detailed Descriptions

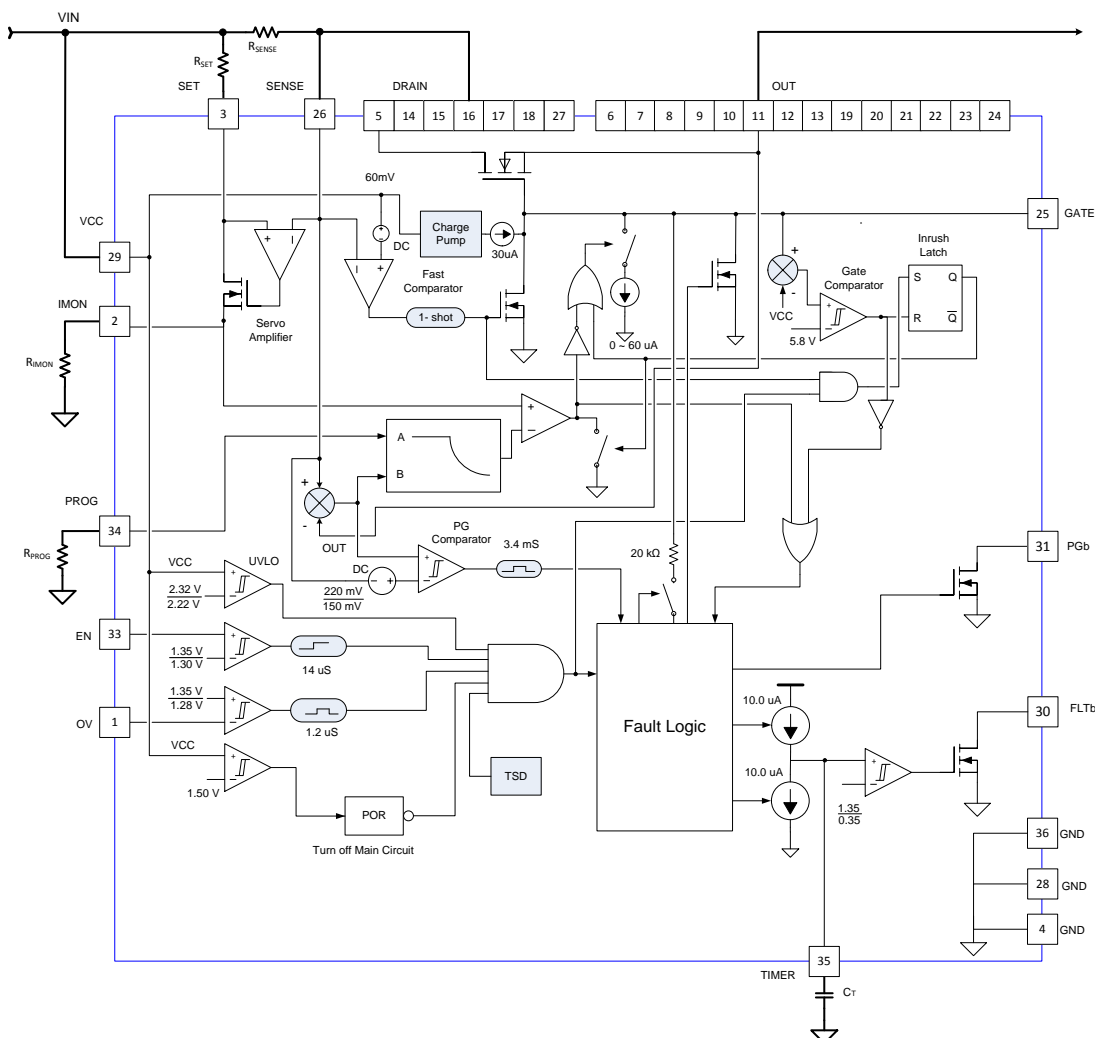
9.1 Overview

The TPS2475x provides all the features needed for a positive hot-swap protector. These features include:

- Undervoltage lockout
- Adjustable (system-level) enable
- Turnon inrush limiting
- Integrated N-channel MOSFET
- MOSFET protection by power limiting
- Electronic circuit breaker operation with adjustable overload timeout
- Charge-complete indicator for downstream converter coordination
- A choice of latch or automatic restart mode
- Load overvoltage protection
- Precise current monitor output

The typical application diagram, shown on the front page of this data sheet, and oscilloscope plots, shown in [Figure 31](#) through [Figure 33](#) and [Figure 35](#) through [Figure 39](#), demonstrate many of the functions of the device.

9.2 Functional Block Diagram



9.3 Feature Description

9.3.1 DRAIN

The drain of the internal pass MOSFET. Connect to a terminal of current sense resistor in the power path.

9.3.2 EN

Applying a voltage of 1.3 V or more to this pin enables the gate driver. The addition of an external resistor divider allows the EN pin to serve as an undervoltage monitor. Cycling EN low and then back high resets the TPS24750 that has latched off due to a fault condition. This pin must not be left floating.

9.3.3 FLTb

This active-low open-drain output pulls low when the TPS2475x has remained in current limit long enough for the fault timer to expire. The TPS24750 operates in latch mode while the TPS24751 operates in retry mode. In latch mode, a fault timeout disables the internal MOSFET and holds FLTb low. The fault is reset when EN is pulled low or VCC falls under UVLO. In retry mode, a fault timeout first disables the internal MOSFET, next waits sixteen cycles of TIMER charging and discharging, and finally attempts a restart. This process repeats as long as the fault persists. In retry mode, the FLTb pin is pulled low whenever the internal MOSFET is disabled by the fault timer. In a sustained fault, the FLTb waveform becomes a train of pulses. The FLTb pin does not assert if the internal MOSFET is disabled by EN, OV, overtemperature shutdown, or UVLO. This pin can be left floating when not used.

9.3.4 GATE

This pin provides gate drive to the internal MOSFET. A charge pump sources 30 μ A to enhance the internal MOSFET. A 13.9 V clamp between GATE and VCC limits the gate-to-source voltage since V_{VCC} is close to V_{OUT} in normal operation. During start up, a transconductance amplifier regulates the gate voltage of the internal FET to provide inrush current limiting. The TIMER pin charges timer capacitor C_T during the inrush. Inrush current limiting continues until the $V_{(GATE - VCC)}$ exceeds the Timer Activation Voltage 5.8 V for $V_{VCC} = 12$ V. Then the TPS2475x enters into circuit breaker mode. In the circuit breaker mode, the current flowing in R_{SENSE} is compared with the current limit threshold derived from the MOSFET power limit scheme (see the [PROG](#) definition). If the current flowing in R_{SENSE} exceeds the current limit threshold, then the internal pass MOSFET will be turned off. The GATE pin is disabled by the following three mechanisms:

1. GATE is pulled down by an 11-mA current source when
 - The fault timer expires during an overload current fault ($V_{IMON} > 675$ mV)
 - V_{EN} is below its falling threshold
 - V_{VCC} drops below the UVLO threshold
 - V_{OV} is above its rising threshold
2. GATE is pulled down by a 1-A current source for 13.5 μ s when a hard output short circuit occurs and $V_{(VCC - SENSE)}$ is greater than 60 mV, that is, the fast-trip shutdown threshold. After fast-trip shutdown is complete, an 11-mA sustaining current ensures that the internal FET remains off.
3. GATE is discharged by a 20-k Ω resistor to GND if the chip die temperature exceeds the OTSD rising threshold.

GATE remains low in latch mode (TPS24750) and attempts a restart periodically in retry mode (TPS24751).

Connect a capacitor from this pin to GND to control the slew rate of the output voltage at power-on. This pin can be left floating to obtain a predetermined slew rate on the output.

If used, any capacitor connecting GATE and GND must not exceed 1 μ F and it must be connected in series with a resistor of no less than 1 k Ω . No external resistor must be directly connected from GATE to GND or from GATE to OUT.

9.3.5 GND

This pin is connected to system ground.

Feature Description (continued)

9.3.6 IMON

A resistor connected from this pin to GND scales the current-limit and power-limit settings, as illustrated in the [Functional Block Diagram](#). The voltage present at this pin is proportional to the current flowing through sense resistor R_{SENSE} . This voltage can be used as a means of monitoring current flow through the system. The value of R_{IMON} can be calculated from [Equation 3](#). This pin must not have a bypass capacitor or any other load except for R_{IMON} .

9.3.7 OUT

This pin is connected to the source of the internal MOSFET inside the chip. It allows the device to measure the drain-to-source voltage across the internal MOSFET. The power good indicator (PGb) relies upon this information, as does the power limiting engine. The OUT pin must be bypassed to GND with a low-impedance ceramic capacitor in the range of 10 nF to 1 μ F. Connect all the OUT pins to output capacitors and load. In the presence of cable inductance, the OUT pin must be protected from negative voltage transients by using a clamping/Schottky diode.

9.3.8 OV

This pin is used to program the device overvoltage level. A voltage of more than 1.35 V on this pin turns off the internal FET. A resistor divider connected from VCC to this pin provides overvoltage protection for the downstream load. This pin must be tied to GND when not used.

9.3.9 PGb

This active low, open-drain output is intended to interface to downstream dc/dc converters or monitoring circuits. PGb pulls low after the drain-to-source voltage of the internal FET has fallen below 150 mV and a 3.4 ms deglitch delay has elapsed. It goes open drain when V_{DS} exceeds 220 mV. PGb assumes high impedance status after a 3.4 ms deglitch delay once V_{DS} of internal FET rises up, resulting from GATE being pulled to GND at the following conditions:

- An overload current fault occurs ($V_{IMON} > 675$ mV) and the fault timer times out.
- A hard output short circuit occurs, leading to $V_{(VCC - SENSE)}$ greater than 60 mV, that is, the fast-trip shutdown threshold has been exceeded.
- V_{EN} is below its falling threshold.
- V_{VCC} drops below the UVLO threshold.
- V_{OV} is above its rising threshold.
- Die temperature exceeds the OTSD threshold.

This pin can be left floating when not used.

9.3.10 PROG

A resistor from this pin to GND sets the maximum power permitted in the internal MOSFET during inrush. Do not apply a voltage to this pin. If the constant power limit is not desired, use a PROG resistor of 4.99 k Ω . To set the maximum power, use [Equation 1](#).

$$P_{LIM} = \frac{84375 \times R_{SET}}{R_{PROG} \times R_{SENSE} \times R_{IMON}} \quad (1)$$

where P_{LIM} is the allowed power limit of the internal MOSFET. R_{SENSE} is the load current monitoring resistor connected between the VCC pin and the SENSE pin. R_{PROG} is the resistor connected from the PROG pin to GND. Both R_{PROG} and R_{SENSE} are in ohms and P_{LIM} is in watts. P_{LIM} is determined by the maximum allowed thermal stress of internal MOSFET, given by [Equation 2](#).

$$P_{LIM} < \frac{T_{J(MAX)} - T_{C(MAX)}}{R_{\theta JC(MAX)}} \quad (2)$$

where $T_{J(MAX)}$ is the maximum desired transient junction temperature and $T_{C(MAX)}$ is the maximum case temperature prior to a start or restart. $R_{\theta JC(MAX)}$ is the junction-to-case thermal impedance of the internal pass FET in units of $^{\circ}\text{C}/\text{W}$. Both $T_{J(MAX)}$ and $T_{C(MAX)}$ are in $^{\circ}\text{C}$.

Feature Description (continued)

9.3.11 SENSE

This pin connects to the negative terminal of R_{SENSE} . It provides a means of sensing the voltage across this resistor, as well as a way to monitor the drain-to-source voltage across the internal FET. The current limit I_{LIM} is set by [Equation 3](#).

$$I_{LIM} = \frac{0.675 \text{ V} \times R_{SET}}{R_{IMON} \times R_{SENSE}} \quad (3)$$

A fast-trip shutdown occurs when $V_{(VCC - V_{SENSE})}$ exceeds 60 mV.

SET: A resistor R_{SET} is connected from this pin to the positive terminal of R_{SENSE} . This resistor scales the current limit and power limit settings. It coordinates with R_{IMON} and R_{SENSE} to determine the current limit value. The value of R_{SET} can be calculated from [Equation 3](#) (see the [SENSE](#) definition).

9.3.12 TIMER

A capacitor C_T connected from the TIMER pin to GND determines the overload fault timing. TIMER sources 10 μA when an overload is present, and discharges C_T at 10 μA otherwise. Internal FET is turned off when V_{TIMER} reaches 1.35 V. In an application implementing auto-retry after a fault, this capacitor also determines the period before the internal FET is re-enabled. A minimum timing capacitance of 1 nF is recommended to ensure proper operation of the fault timer. The value of C_T can be calculated from the desired fault time t_{FLT} , using [Equation 4](#).

$$C_T = \frac{10 \mu\text{A}}{1.35 \text{ V}} \times t_{FLT} \quad (4)$$

Either latch mode (TPS24750) or retry mode (TPS24751) occurs if the load current exceeds the current limit threshold or the fast trip shutdown threshold. While in latch mode, the TIMER pin continues to periodically charge and discharge the attached capacitor. In retry mode, the internal MOSFET is disabled for sixteen cycles of TIMER charging and discharging. The TIMER pin is pulled to GND by a 2 mA current source at the end of the 16th cycle of charging and discharging. The internal MOSFET is then re-enabled. The TIMER pin capacitor, C_T , can also be discharged to GND during latch mode or retry mode in the following way:

- A 2-mA current sinks TIMER whenever any of the following occurs:
 - V_{EN} is below its falling threshold.
 - V_{VCC} drops below the UVLO threshold.
 - V_{OV} is above its rising threshold.

TIMER is not affected when the die temperature exceeds the OTSD threshold.

9.3.13 VCC

This pin performs three functions. First, it provides biasing power to the integrated circuit. Second, it serves as an input to the power-on reset (POR) and undervoltage lockout (UVLO) functions. Bypass capacitor C_1 , shown in the typical application diagram on the front page, must be connected to the positive terminal of V_{VCC} . A capacitance of at least 10 nF is recommended.

9.4 Device Functional Modes

9.4.1 Board Plug-In

Figure 31 and Figure 32 illustrate the inrush current that flows when a hot swap board under the control of the TPS2475x is plugged into a system bus. Only the bypass capacitor charge current and small bias currents are evident when a board is first plugged in. The TPS2475x is held inactive for a short period while internal voltages stabilize. In this short period, GATE, PROG, and TIMER are held low and PGB, and FLTB, are held open-drain. When the voltage on the internal VCC rail exceeds approximately 1.5 V, the power-on reset (POR) circuit initializes the TPS2475x and a start-up cycle is ready to take place.

GATE, PROG, TIMER, PGB, and FLTB are released after the internal voltages have stabilized and the external EN (enable) thresholds have been exceeded. The part begins sourcing current from the GATE pin to turn on internal FET. The TPS2475x monitors both the drain-to-source voltage across internal MOSFET and the drain current passing through it. Based on these measurements, the TPS2475x limits the drain current by controlling the gate voltage so that the power dissipation of the internal FET does not exceed the power limit programmed by the user. The current increases as the voltage across the FET decreases until finally the current reaches the current limit I_{LIM} .

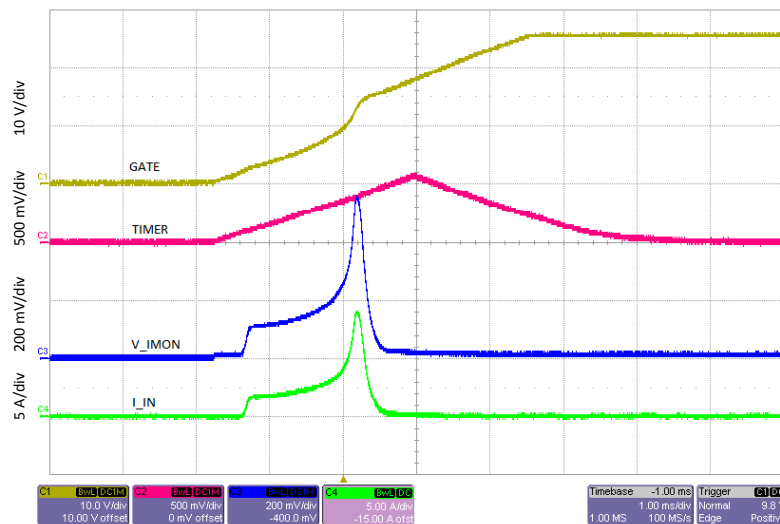


Figure 31. Inrush Mode at Hot-Swap Circuit Insertion

9.4.2 Inrush Operation

After the TPS2475x initialization is complete (as described in the [Board Plug-in section](#)) and EN is active, GATE is enabled (V_{GATE} starts increasing), when V_{GATE} reaches the internal FET gate threshold, a current flows into the downstream bulk storage capacitors. When this current exceeds the limit set by the power-limit engine, the gate of the internal FET is regulated by a feedback loop to make the internal FET current rise in a controlled manner. This not only limits the capacitor-charging inrush current but it also limits the power dissipation of the internal FET to safe levels. A more complete explanation of the power-limiting scheme is given in the [Action of the Constant-Power Engine](#) section. When the GATE is enabled, the TIMER pin begins to charge the timing capacitor C_T with a current of approximately 10 μ A. The TIMER pin continues to charge C_T until $V_{(GATE-VCC)}$ reaches the timer activation voltage (5.8 V for $V_{VCC} = 12V$). The TIMER then begins to discharge C_T with a current of approximately 10 μ A. This indicates that the inrush mode is finished. If the TIMER exceeds its upper threshold of 1.35 V before $V_{(GATE - VCC)}$ reaches the timer activation voltage, the GATE pin is pulled to GND and the hot-swap circuit enters either latch mode (TPS24750) or auto-retry mode (TPS24751).

The power limit feature is disabled once the inrush operation is finished and the hotswap circuit becomes a circuit breaker. The TPS2475x turns off the internal FET after a fault timer period once the load exceeds the current limit threshold.

Device Functional Modes (continued)

9.4.3 Action of the Constant-Power Engine

Figure 32 illustrates the operation of the constant-power engine during start-up. The circuit used to generate the waveforms of Figure 32 was programmed to a power limit of 21 W by means of the resistor connected between PROG and GND. At the moment current begins to flow through the internal FET, a voltage of 12 V appears across it (input voltage $V_{VCC} = 12$ V), and the constant-power engine therefore allows a current of 1.75 A (equal to 21 W divided by 12 V) to flow. This current increases in inverse ratio as the drain-to-source voltage diminishes, so as to maintain a constant dissipation of 21 W. The constant-power engine adjusts the current by altering the reference signal fed to the current limit amplifier. The lower part of Figure 32 shows the measured power dissipated in the internal FET, labeled FET_PWR, remaining substantially constant during this period of operation, which ends when the current through the FET reaches the current limit I_{LIM} . This behavior can be considered a form of foldback limiting, but unlike the standard linear form of foldback limiting, it allows the power device to operate near its maximum capability, thus reducing the start-up time.

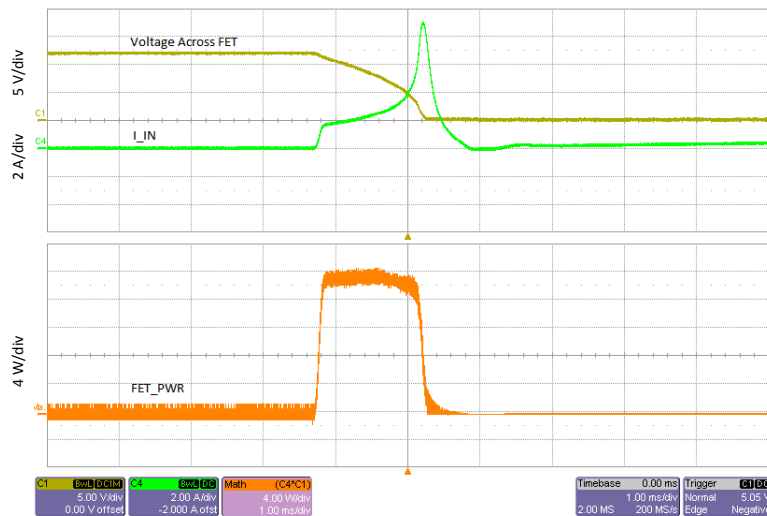


Figure 32. Computation of Power Stress During Startup

9.4.4 Circuit Breaker and Fast Trip

The TPS2475x monitors load current by sensing the voltage across R_{SENSE} . The TPS2475x incorporates two distinct thresholds: a current-limit threshold and a fast-trip threshold.

The functions of circuit breaker and fast-trip turnoff are shown in Figure 33 through Figure 36.

Figure 33 shows the behavior of the TPS2475x when a fault in the output load causes the current passing through R_{SENSE} to increase to a value above the current limit but less than the fast-trip threshold. When the current exceeds the current-limit threshold, a current of approximately 10 μ A begins to charge timing capacitor C_T . If the voltage on C_T reaches 1.35 V, then the internal FET is turned off. The TPS24750 version latches off, while as the TPS24751 version commences a restart cycle. In either event, fault pin $FLTb$ pulls low to signal a fault condition. Overload between the current limit and the fast-trip threshold is permitted for this period. This shutdown scheme is sometimes called an electronic circuit breaker.

The fast-trip threshold protects the system against a severe overload or a dead short circuit. When the voltage across the sense resistor R_{SENSE} exceeds the 60-mV fast-trip threshold, the GATE pin immediately pulls the internal FET gate to ground with approximately 1 A of current. The fast-trip circuit holds the internal FET off for only a few microseconds, after which the TPS2475x turns back on slowly, allowing the current-limit feedback loop to take over the gate control of the internal FET. Then the hot-swap circuit goes into latch mode (TPS24750) or auto-retry mode (TPS24751). Figure 35 and Figure 36 illustrate the behavior of the system when the current exceeds the fast-trip threshold.

Device Functional Modes (continued)

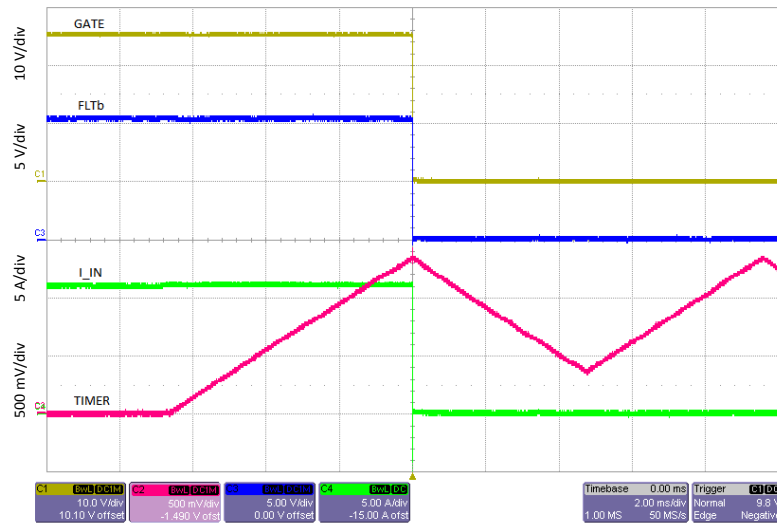


Figure 33. Circuit-Breaker Mode During Overload Condition

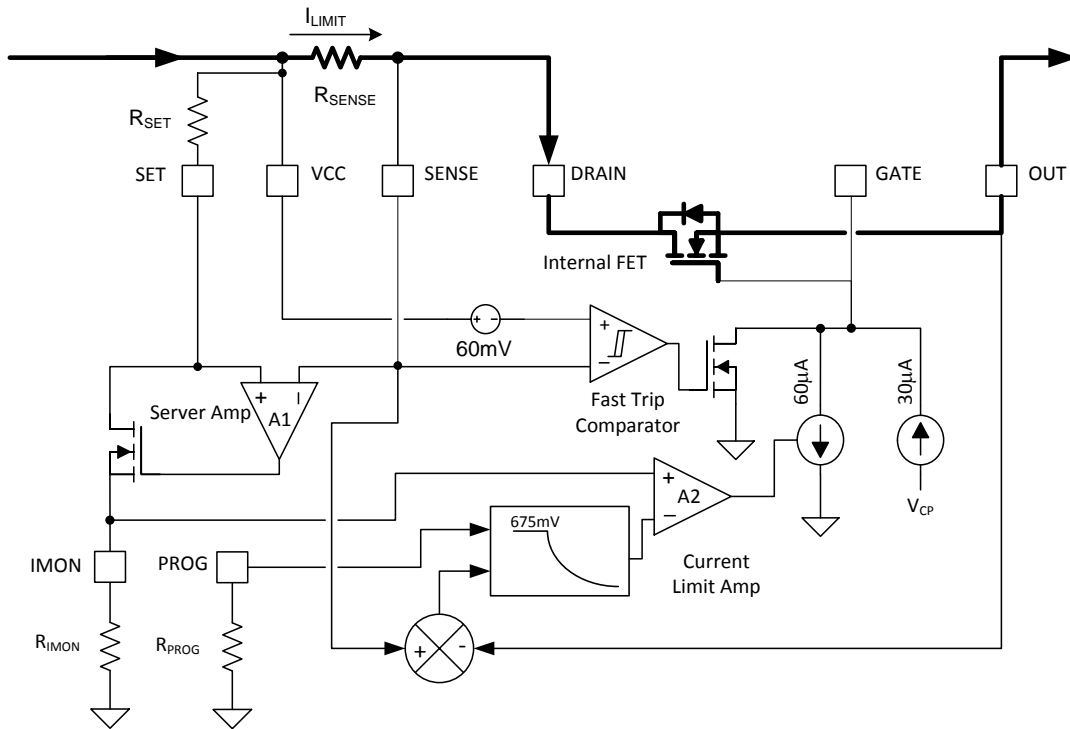
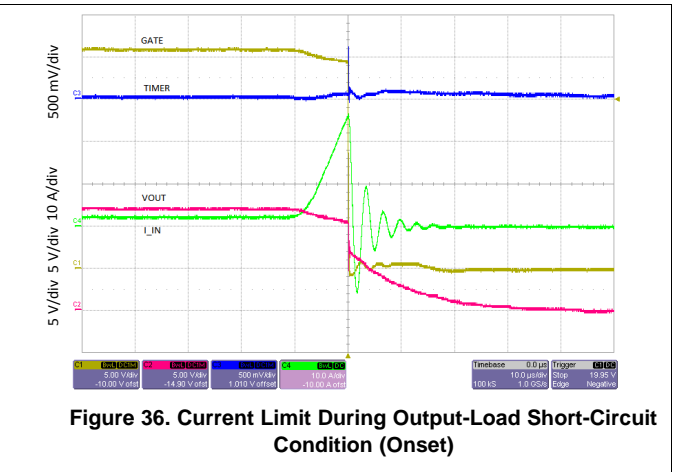
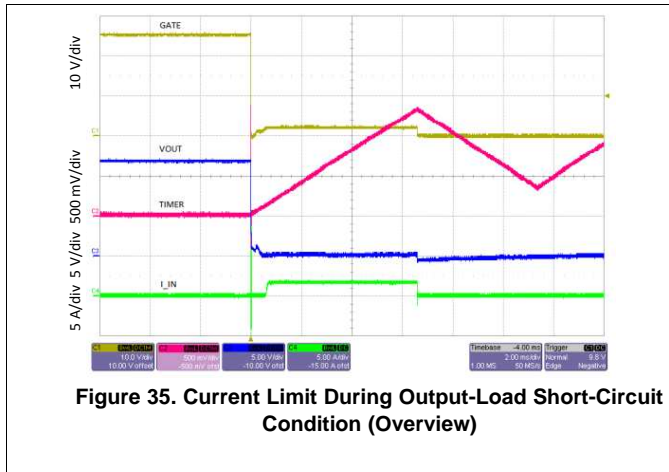


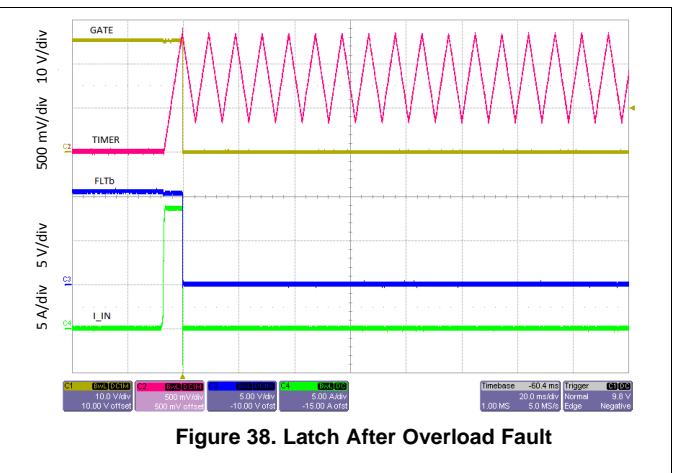
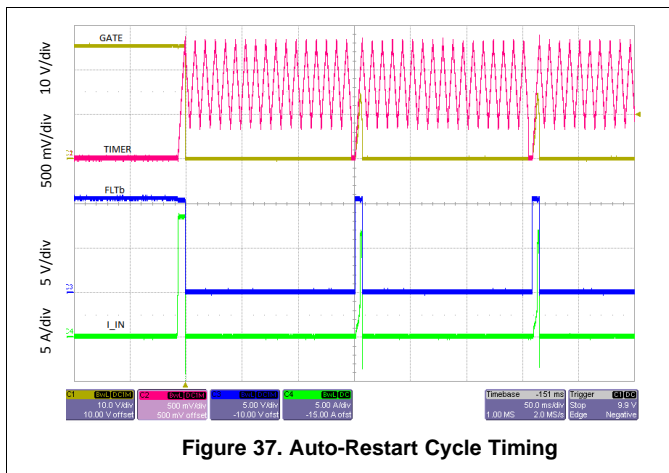
Figure 34. Partial Diagram of the TPS2475x with Selected External Components

Device Functional Modes (continued)



9.4.5 Automatic Restart

In Auto-retry versions (TPS24751), device automatically initiates a restart after a fault has caused it to turnoff the internal FET. Internal control circuits use C_T to count 16 cycles before re-enabling the FET as shown in Figure 37. This sequence repeats if the fault persists. The timer has a 1:1 charge-to-discharge current ratio. For the very first cycle, the TIMER pin starts from 0 V and rises to the upper threshold of 1.35 V and subsequently falls to 0.35 V before restarting. For the following 16 cycles, 0.35 V is used as the lower threshold. This small duty cycle often reduces the average short-circuit power dissipation to levels associated with normal operation and eliminates special thermal considerations for surviving a prolonged output short.



Device Functional Modes (continued)

9.4.6 Start-Up with Short on Output

The TPS2475x has ability of detecting the short at the output during start-up and ensure shutdown of the hot-swap circuit/system with fault indication. During start-up, after the initialization process is complete and the GATE is enabled, the device limits the power as explained in the [Action of the Constant-Power Engine](#) section and the TIMER pin begins to charge the timing capacitor CT with approximately 10 μ A constant current source. If the voltage on CT reaches its upper limit threshold of 1.35V, during start-up cycle itself, then the internal FET is turned off and fault pin FLTb is pulled low to signal the fault condition. After this, the hot-swap circuit enters either in latch mode (TPS24750) or auto-retry mode (TPS24751). [Figure 39](#) shows the behavior of the TPS2475x for start-up with short on the output.

This feature help to ensure early detection of fault and quick isolation of the subsystem to ensure stability of the other units connected on the DC bus.

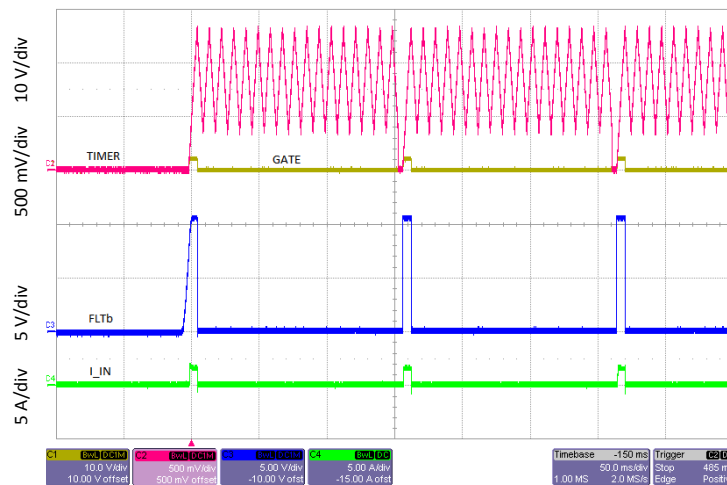


Figure 39. Start-Up with Short on Output

Device Functional Modes (continued)

9.4.7 PGb, FLTb, and Timer Operations

The open-drain PGb output provides a deglitched end-of-inrush indication based on the voltage across internal FET. PGb is useful for preventing a downstream dc/dc converter from starting while its input capacitor C_{OUT} is still charging. PGb goes active-low about 3.4 ms after C_{OUT} is charged. This delay allows the internal FET to fully turn on and any transients in the power circuits to end before the converter starts up. This type of sequencing prevents the downstream converter from demanding full current before the power-limiting engine allows the internal FET to conduct the full current set by the current limit I_{LIM} . Failure to observe this precaution may prevent the system from starting. The pullup resistor shown on the PGb pin in the typical system block diagram application diagram [Figure 41](#) is illustrative only; the actual connection to the converter depends on the application. The PGb pin may indicate that inrush has ended before the MOSFET is fully enhanced, but the downstream capacitor will have been charged to substantially its full operating voltage. After the hot-swap circuit successfully starts up, the PGb pin can return to a high-impedance status whenever the drain-to-source voltage of internal FET exceeds its upper threshold of 340 mV, which presents the downstream converters a warning flag. This flag may occur as a result of overload fault, output short fault, input overvoltage, higher die temperature, or the GATE shutdown by UVLO, EN.

FLTb is an indicator that the allowed fault-timer period during which the load current can exceed the programmed current limit (but not the fast-trip threshold) expires. The fault timer starts when a current of approximately 10 μ A begins to flow into the external capacitor C_T , and ends when the voltage of C_T reaches TIMER upper threshold, that is, 1.35 V. FLTb pulls low at the end of the fault timer. Otherwise, FLTb assumes a high-impedance state.

The fault-timer state requires an external capacitor C_T connected between the TIMER pin and GND pin. The duration of the fault timer is the charging time of C_T from 0 V to its upper threshold of 1.35 V. The fault timer begins to count under any of the following three conditions:

1. In the inrush mode, TIMER begins to source current to the timer capacitor, C_T , when device is enabled. TIMER begins to sink current from the timer capacitor, C_T when $V_{(GATE - VCC)}$ exceeds the timer activation voltage (see the *Inrush Operation* section). If $V_{(GATE - VCC)}$ does not reach the timer activation voltage before TIMER reaches 1.35 V, then the TPS2475x disables the internal FET. After the MOSFET turns off, the timer goes into either latch mode (TPS24750) or retry mode (TPS24751).
2. In an overload fault, TIMER begins to source current to the timer capacitor, C_T , when the load current exceeds the programmed current limits. When the timer capacitor voltage reaches its upper threshold of 1.35 V, TIMER begins to sink current from the timer capacitor, C_T , and the GATE pin is pulled to ground. After the fault timer period, TIMER may go into latch mode (TPS24750) or retry mode (TPS24751).
3. In output short-circuit fault, TIMER begins to source current to the timer capacitor, C_T , when the load current exceeds the programmed current limits following a fast-trip shutdown of internal FET. When the timer capacitor voltage reaches its upper threshold of 1.35 V, TIMER begins to sink current from the timer capacitor, C_T , and the GATE pin is pulled to ground. After the fault timer period, TIMER may go into latch mode (TPS24750) or retry mode (TPS24751).

If the fault current drops below the programmed current limit within the fault timer period, V_{TIMER} decreases and the internal pass MOSFET remains enabled.

The behaviors of TIMER are different in the latch mode and retry mode. If the timer capacitor reaches the upper threshold of 1.35 V, then:

- In latch mode (TPS24750), the TIMER pin continues to charge and discharge the attached capacitor periodically until device is disabled by UVLO, EN, or OV, as shown in [Figure 38](#).
- In retry mode (TPS24751), TIMER charges and discharges C_T between the lower threshold of 0.35 V and the upper threshold of 1.35 V for sixteen cycles before the device attempts to re-start. The TIMER pin is pulled to GND at the end of the 16th cycle of charging and discharging and then ramps from 0 V to 1.35 V for the initial half-cycle in which the GATE pin sources current. This periodic pattern is stopped once the overload fault is removed or the TPS2475x is disabled by UVLO, EN or OV.

Device Functional Modes (continued)

9.4.7.1 Overtemperature Shutdown

The TPS2475x includes a built-in overtemperature shutdown circuit designed to disable the gate driver and hence turnoff the internal FET if the die temperature exceeds approximately 140°C. An overtemperature condition also causes the FLTb and PGB pins to go to high-impedance states. Normal operation resumes once the die temperature has fallen approximately 10°C.

9.4.7.2 Start-Up of Hot-Swap Circuit by VCC or EN

The connection and disconnection between a load and the input power bus are controlled by turning on and turning off the internal FET.

The TPS2475x has two ways to turn on the internal FET:

- Increasing V_{VCC} above UVLO upper threshold while EN is already higher than its upper threshold sources current to the gate of internal FET. After an inrush period, the TPS2475x fully turns on internal FET.
- Increasing EN above its upper threshold while V_{VCC} is already higher than the UVLO upper threshold sources current to the gate of internal FET. After an inrush period, the TPS2475x fully turns on internal FET.

The EN pin can be used to start up the TPS2475x at a selected input voltage V_{VCC} .

To isolate the load from the input power bus, the internal FET can be disabled by any of the following conditions: UVLO, EN, load current above the current-limit threshold, hard short at load, OV, or OTSD. Three separate mechanisms disable the internal FET by pulling down the GATE as described below:

1. GATE is pulled down by an 11-mA current source when any of the following occurs.
 - The fault timer expires during an overload current fault ($V_{IMON} > 675$ mV).
 - V_{EN} is below its falling threshold.
 - V_{VCC} drops below the UVLO threshold.
 - V_{OV} is above its rising threshold.
2. GATE is pulled down by a 1-A current source for 13.5 μ s when a hard output short circuit occurs and $V_{(VCC - SENSE)}$ is greater than 60 mV, that is, the fast-trip shutdown threshold. After fast-trip shutdown is complete, an 11-mA sustaining current ensures that the internal FET remains off.
3. GATE is discharged by a 20-k Ω resistor to GND if the chip die temperature exceeds the OTSD rising threshold.

10 Application and Implementation

NOTE

Information in the following applications sections is not part of the TI component specification, and TI does not warrant its accuracy or completeness. TI's customers are responsible for determining suitability of components for their purposes. Customers should validate and test their design implementation to confirm system functionality.

10.1 Application Information

The TPS2475x provide highly integrated load protection for 2.5 V to 18 V applications. The devices integrate a hot swap controller and a power MOSFET in a single package for small form factor applications. These devices protect source, load and internal MOSFET from potentially damaging events in applications such as Servers, Plug-In Modules, RAID systems, Base stations and Fan Control.

The following design procedure can be used to select component values for the device.

Additionally, a spreadsheet design tool [TPS2475x Design Calculator Tool \(SLVC545\)](#) is available on web folder.

10.2 Typical Applications

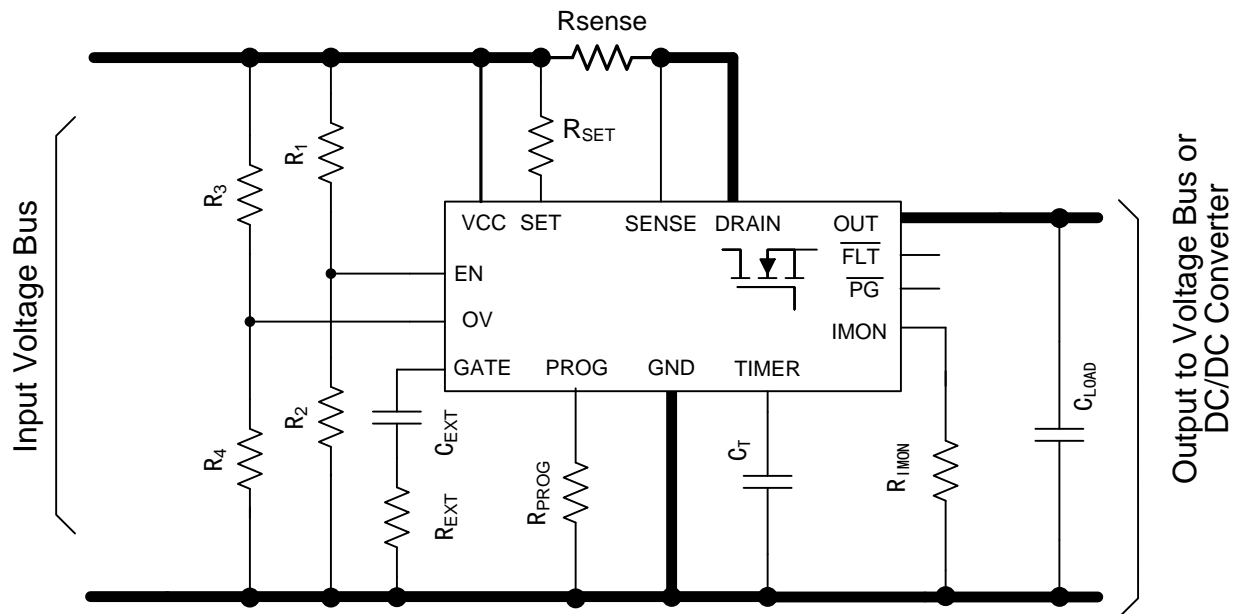


Figure 40. Gate Capacitor (dV/dt) Control Inrush Mode

10.2.1 Design Requirements

For this design example, use the parameters shown in [Table 1](#).

Table 1. Design Parameters

Parameter	Value
Input voltage $V_{(VCC)}$	12 V
Undervoltage lockout set point, V_{UV}	8.4 V
Overvoltage protection set point, V_{OV}	14 V
Load after PG asserted, R_{LOAD}	1.2 Ω
Current limit, I_{LIM}	11 A
Load capacitance, C_{OUT}	470 μ F
Maximum ambient temperatures, T_A	60°C

$$I_{LIM} = \frac{0.675 \text{ V} \times R_{SET}}{R_{IMON} \times R_{SENSE}}$$

therefore,

$$R_{IMON} = \frac{0.675 \text{ V} \times 51.1}{11 \times 0.002} = 1567.8 \quad (5)$$

10.2.2.1.2 STEP 2. Choose Power-Limit Value, P_{LIM} , and R_{PROG}

The internal MOSFET dissipates large amounts of power during inrush. The power limit P_{LIM} of the TPS2475x must be set to prevent the internal FET die temperature from exceeding a short-term maximum temperature, $T_{J(MAX)2}$. The short-term $T_{J(MAX)2}$ could be set $\leq 125^\circ\text{C}$ to have sufficient margin to the internal maximum FET junction temperature. Equation 6 is an expression for calculating P_{LIM} .

$$P_{LIM} \leq 0.8 \times \frac{T_{J(MAX)2} - \left[(I_{MAX}^2 \times R_{DS(on)} \times R_{\theta CA}) + T_{A(MAX)} \right]}{R_{\theta JC}}$$

therefore,

$$P_{LIM} \leq 0.8 \times \frac{125^\circ\text{C} - \left[((11 \text{ A})^2 \times 5 \text{ m}\Omega \times (33.7^\circ\text{C/W} - 1.1^\circ\text{C/W})) + 60^\circ\text{C} \right]}{1.1^\circ\text{C/W}} = 32.93 \text{ W} \quad (6)$$

In the above equation, $R_{\theta CA} = R_{\theta JA} - R_{\theta JC}$

Where, $R_{\theta CA}$ is the case-to-ambient thermal resistance ($R_{\theta CA}$ is a strong function of the user defined PCB layout and heat sinking provided on Pad-2 of the device and can vary accordingly), $R_{\theta JA}$ is the junction-to-ambient thermal resistance and $R_{\theta JC}$ is the junction-to-case thermal resistance of the device, (In Equation 6, the values are used from the TPS2475x [Thermal Information](#) table), $r_{DS(on)}$ is internal FET on-resistance at the maximum operating temperature, and the factor of 0.8 represents the tolerance of the constant-power engine. For an ambient temperature of 60°C , the calculated maximum P_{LIM} is 33 W. Power limit selected must be lower than value obtained in Equation 6, to have substantial safe margin considering the tolerance of components and extended system temperatures. Power limit (P_{LIM}) of 21 W is considered for this design. From Equation 1, a 64.9-k Ω , 1% resistor is selected for R_{PROG} (see Equation 7).

$$R_{PROG} = \frac{84375 \times R_{SET}}{P_{LIM} \times R_{SENSE} \times R_{IMON}}$$

therefore,

$$R_{PROG} = \frac{84375 \times 51.1}{21 \times 0.002 \Omega \times 1580 \Omega} = 64.97 \text{ k}\Omega \quad (7)$$

Power Limit fold back (P_{LIM-FB}) is the ratio of operating current (I_{LIM}) and minimum power limited (regulated) current (when $V_{OUT} = 0\text{V}$). Degradation of programmed power limit (P_{LIM}) accuracy and start up issues may occur if P_{LIM-FB} is too large. Equation 8 calculates V_{SNS-PL_MIN} (minimum sense voltage during power limit) and P_{LIM-FB} . To ensure reliable operation, verify that $P_{LIM-FB} < 12$ and $V_{SNS-PL_MIN} \geq 3\text{mV}$.

$$V_{SNS-PL_MIN} = \frac{P_{LIM} \times R_{SENSE}}{V_{CC(MAX)}} = \frac{21\text{W} \times 2 \text{ m}\Omega}{14 \text{ V}} = 3 \text{ mV} (\geq 3 \text{ mV})$$

$$P_{LIM-FB} = \frac{I_{LIM} \times V_{CC(MAX)}}{P_{LIM}} = \frac{11 \text{ A} \times 14 \text{ V}}{21 \text{ W}} = 7.33 (< 12) \quad (8)$$

If the above conditions are not met, please adjust and align R_{SENSE} , P_{LIM} set, and $T_{A(MAX)}$ appropriately to satisfy the above conditions.

10.2.2.1.3 STEP 3. Choose Output Voltage Rising Time, t_{ON} , and Timing Capacitor C_T

The maximum output voltage rise time, t_{ON} , set by timer capacitor C_T must suffice to fully charge the load capacitance C_{OUT} without triggering the fault circuitry. Equation 9 defines t_{ON} for two possible inrush cases. Assuming that only the load capacitance draws current during startup,

$$t_{ON} = \begin{cases} \frac{C_{OUT} \times P_{LIM}}{2 \times I_{LIM}^2} + \frac{C_{OUT} \times V_{VCC(MAX)}^2}{2 \times P_{LIM}} & \text{if } P_{LIM} < I_{LIM} \times V_{VCC(MAX)} \\ \frac{C_{OUT} \times V_{VCC(MAX)}}{I_{LIM}} & \text{if } P_{LIM} > I_{LIM} \times V_{VCC(MAX)} \end{cases}$$

therefore,

$$t_{ON} = \frac{470 \mu\text{F} \times 21 \text{ W}}{2 \times (11 \times 11)} + \frac{470 \mu\text{F} \times 14 \times 14}{2 \times 21} = 2.234 \text{ ms} \quad (9)$$

The next step is to determine the minimum fault-timer period. In Equation 9, the output rise time is t_{ON} . This is the amount of time it takes to charge the output capacitor up to the final output voltage. However, the fault timer uses the difference between the input voltage and the gate voltage to determine if the TPS2475x is still in inrush limit. The fault timer continues to run until V_{GS} rises 5.8 V (for $V_{VCC} = 12 \text{ V}$) above the input voltage. Some additional time must be added to the charge time to account for this additional gate voltage rise. The minimum fault time can be calculated using Equation 10.

$$t_{FLT} = t_{ON} + \frac{Q_{GINT} + Q_{GBLK}}{I_G}$$

therefore,

$$t_{FLT} = t_{ON} + \frac{22 \text{ nC} + 17 \text{ nC}}{20 \mu\text{A}} = t_{ON} + 1.95 \text{ ms} = 4.184 \text{ ms} \quad (10)$$

where Q_{GINT} is the Gate charge of the internal FET to reach the 5.8 V gate voltage (see Figure 25), Q_{GBLK} is the Gate charge of blocking FET (for this design, it is considered that CSD17501Q5A SLPS303 blocking FET is used, take this as '0' if blocking FET is not used) and I_{GATE} is the minimum gate sourcing current of the TPS2475x, or 20 μA . Overall, Equation 10 leads to a minimum fault time of 4.184 ms. Considering the tolerances of C_{OUT} , C_T , I_{LIM} , I_{TIMER} and P_{LIM} , the fault timer must be set to a value ≥ 1.4 times of t_{FLT} obtained, to avoid turning off during start-up, but need to be lower than any maximum fault time limit determined by the device SOA curve (see Figure 27).

For this example, we select 6.3 ms ($1.5 \times T_{FLT}$) to allow for variation of system parameters such as temperature, load, component tolerance, and input voltage. As per SOA curve ($T_A = 25^\circ\text{C}$), for approximately 6.5 ms, the power handled by the device is approximately 70 W at 12 V (value obtained from extrapolation). This need to be scaled (derated) by a factor of $(150 - T_{JDCMAX}) / (150 - T_A)$, where T_{JDCMAX} is the maximum steady state junction temperature ($T_{JDCMAX} = T_{A(MAX)} + I_{LIM}^2 \times R_{(DS)ON} \times R_{\theta JA}$). The scaled power is approximately 34 W. So the power limit of 21 W considered has safe margin of 38% over the derated SOA. This can be depicted through the Figure 42. Also, from Figure 42, from the blue dotted line shown, it can be analyzed that the device at $T_A = 25^\circ\text{C}$, can tolerate 12 V and 10 A for approximately time 1 ms and can take power of 21 W for duration of approximately 70 to 75 ms.

The timing capacitor is calculated in Equation 11 as 46.67 nF. Selecting the next-highest standard value, 47 nF, yields a 6.35 ms fault time.

$$C_T = \frac{10 \mu\text{A} \times t_{\text{FLT}}}{1.35}$$

therefore,

$$C_T = \frac{10 \mu\text{A} \times 6.3 \text{ ms}}{1.35} = 46.67 \text{ nF} \quad (11)$$

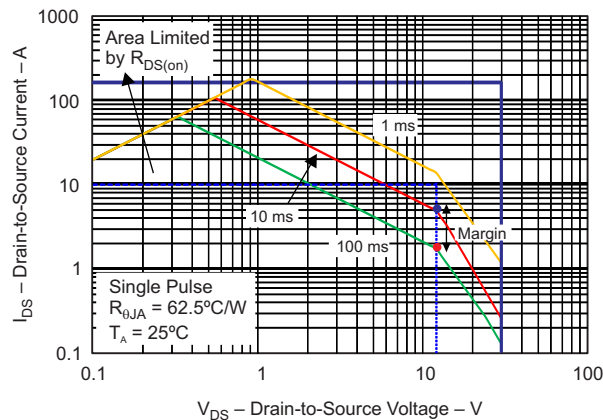


Figure 42. Design Example SOA

10.2.2.1.4 STEP 4. Calculate the Retry-Mode Duty Ratio

In retry mode, the TPS24751 is on for one charging cycle and off for 16 charge-discharge cycles, as can be seen in Figure 37. The first C_T charging cycle is from 0 V to 1.35 V, which gives 6.35 ms. The first C_T discharging cycle is from 1.35 V to 0.35 V, which gives 4.7 ms. Therefore, the total time is 6.35 ms + 33 × 4.7 ms = 161.45 ms. As a result, the retry mode duty ratio is 6.35 ms/161.45 ms = 3.93%. So effective steady state power dissipation in device during continuous short conditions is 4% of P_{LIM} .

10.2.2.1.5 STEP 5. Select R_1 , R_2 , and R_3 for UV and OV

Next, select the values of the OV and UV resistors, R_1 , R_2 , and R_3 , as shown in the typical system application diagram Figure 41. From the TPS2475x electrical specifications, $V_{\text{OVTHRESH}} = 1.35 \text{ V}$ and $V_{\text{ENTHRESH}} = 1.35 \text{ V}$. V_{OV} is the overvoltage trip voltage, which in this case is 14 V. V_{UV} is the undervoltage trip voltage, which for this example equals 8.4 V.

$$V_{\text{OVTHRESH}} = \frac{R_3}{R_1 + R_2 + R_3} \times V_{\text{OV}} \quad (12)$$

$$V_{\text{ENTHRESH}} = \frac{R_2 + R_3}{R_1 + R_2 + R_3} \times V_{\text{UV}} \quad (13)$$

Assume R_3 is 1.5 k Ω and use Equation 12 to solve for $(R_1 + R_2)$. Use Equation 13 and the $(R_1 + R_2)$ from Equation 12 to solve for R_2 and finally for R_1 . From Equation 12, $(R_1 + R_2) = 14.05 \text{ k}\Omega$. From Equation 13, $R_2 = 1 \text{ k}\Omega$ and $R_1 = 13.05 \text{ k}\Omega$. Scaling all three resistors by a factor of ten to use less supply current for these voltage references and using standard 1% resistor values gives $R_1 = 130 \text{ k}\Omega$, $R_2 = 10 \text{ k}\Omega$, and $R_3 = 15 \text{ k}\Omega$.

10.2.2.1.6 STEP 6. Choose R_4 , R_5 , and C_1

As per the typical application diagram on the front page, R_4 , and R_5 are required only if PGb, and FLTb are used; these resistors serve as pull-ups for the open-drain output drivers. The current sunk by each of these pins must not exceed 2 mA (refer to the Recommended Operating Conditions table). C_1 is a bypass capacitor to help control transient voltages, unit emissions, and local supply noise while in the disabled state. Where acceptable, a value in the range of 0.001 μF to 0.1 μF is recommended.

10.2.2.2 Alternative Design Example: Gate Capacitor (dv/dt) Control in Inrush Mode

The TPS2475x can be used in applications that expect a constant inrush current. This current is controlled by a capacitor connected from the GATE terminal to GND. A resistor of 1 kΩ placed in series with this capacitor prevents it from slowing a fast-turnoff event. In this mode of operation, the internal FET operates as a source follower, and the slew rate of the output voltage approximately equals the slew rate of the gate voltage (see [Figure 43](#)).

To implement a constant-inrush-current circuit, choose the time to charge, Δt , using [Equation 14](#).

$$\Delta t = \frac{C_{OUT} \times V_{VCC}}{I_{CHG}} \quad (14)$$

where C_{OUT} is the output capacitance, V_{VCC} is the input voltage, and I_{CHG} is the desired charge current. Choose $I_{CHG} < P_{LIM} / V_{VCC}$ to prevent power limiting from affecting the desired current.

To select the gate capacitance use [Equation 15](#). where, I_{GATE} is the nominal gate current and C_{INTRS} , the effective capacitance contributed by the internal FET (approximately 175 pF). In addition, the effect of other capacitances like the capacitance offered by the usage of the Blocking FET (C_{BLK}) and other component capacitances C_{PR} (due to external gate protection diodes, such as Zener diode and board parasitic) to be accounted for arriving at exact value of C_{GATE} . The TIMER capacitor, C_T , must be programmed for timing greater than the total turnon time (t_{ON}), to ensure and avoid fault detection during start-up.

Typical application circuit with Gate Capacitor (dV/dt) Control Inrush Mode is shown in [Figure 43](#). The turnon waveform with C_{GATE} of 4.7 nF and series resistor of 1 kΩ is shown in [Figure 44](#).

$$C_{GATE} = \left(I_{GATE} \times \frac{\Delta t}{V_{VCC}} \right) - C_{INTRS} \quad (15)$$

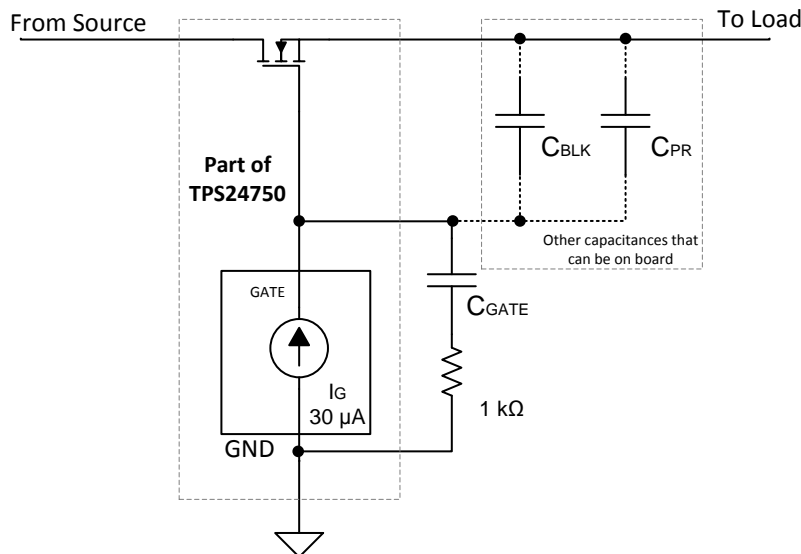


Figure 43. Gate Capacitor (dV/dt) Control Inrush Mode.

10.2.2.3 Additional Design Considerations

10.2.2.3.1 Use of PGb

Use the PGb pin to control and coordinate a downstream dc/dc converter. If this is not done, then a long time delay is needed to allow C_{OUT} to fully charge before the converter starts. An undesirable latch-up condition can be created between the TPS2475x output characteristic and the dc/dc converter input characteristic if the converter starts while C_{OUT} is still charging; using the PGb pin is one way to avoid this.

10.2.2.3.2 Output Clamp Diode

Inductive loads on the output may drive the OUT pin below GND when the circuit is unplugged or during a current-limit event. The OUT pin ratings can be satisfied by connecting a diode from OUT to GND. The diode must be selected to control the negative voltage at the full short-circuit current. Schottky diodes are generally recommended for this application.

10.2.2.3.3 Gate Clamp Diode

The TPS2475x has a relatively well-regulated gate voltage of 12 V-15.5 V with a supply voltage V_{VCC} higher than 4 V. For the applications with operating voltage greater than 14 V, a negative gate clamp (of ≤ 15.5 V) is needed as shown in Figure 47. In addition, a series resistance of several hundred ohms or a series silicon diode is recommended to prevent the output capacitance from discharging through the gate driver to ground. For applications with Blocking FET, a small clamp Zener from gate to OUT is recommended if V_{GS} of external blocking FET is rated below 12 V.

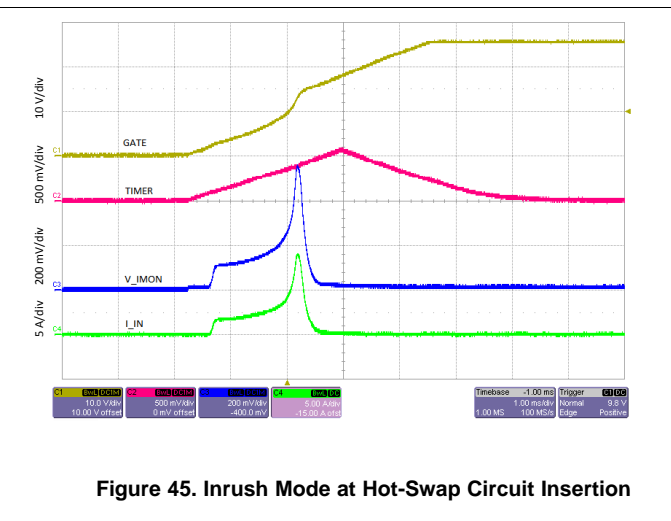
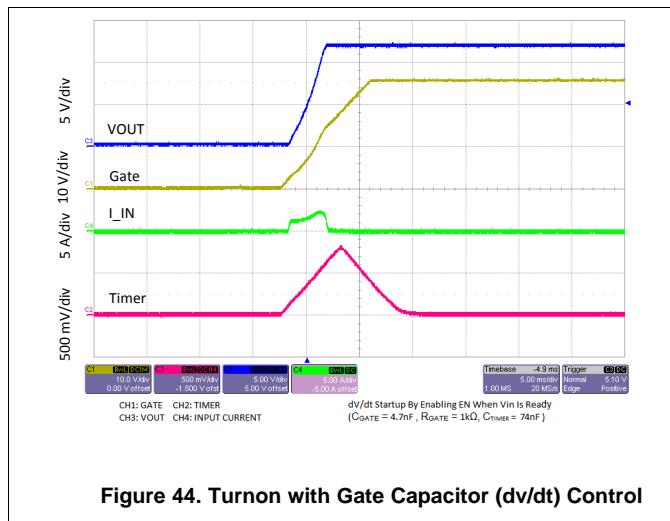
10.2.2.3.4 Bypass Capacitors

It is a good practice to provide low-impedance ceramic capacitor bypassing of the VCC and OUT pins. Values in the range of 10 nF to 1 μ F are recommended. Some system topologies are insensitive to the values of these capacitors; however, some are not and require minimization of the value of the bypass capacitor. Input capacitance on a plug-in board may cause a large inrush current as the capacitor charges through the low-impedance power bus when inserted. This stresses the connector contacts and causes a short voltage sag on the input bus. Small amounts of capacitance (that is, 10 nF to 0.1 μ F) are often tolerable in these systems.

10.2.2.3.5 Output Short-Circuit Measurements

Repeatable short-circuit testing results are difficult to obtain. The many details of source bypassing, input leads, circuit layout and component selection, output shorting method, relative location of the short, and instrumentation all contribute to variation in results. The actual short itself exhibits a certain degree of randomness as it microscopically bounces and arcs. Care in configuration and methods must be used to obtain realistic results. Do not expect to see waveforms exactly like those in the data sheet; every setup differs.

10.2.3 Application Curves



10.3 System Examples

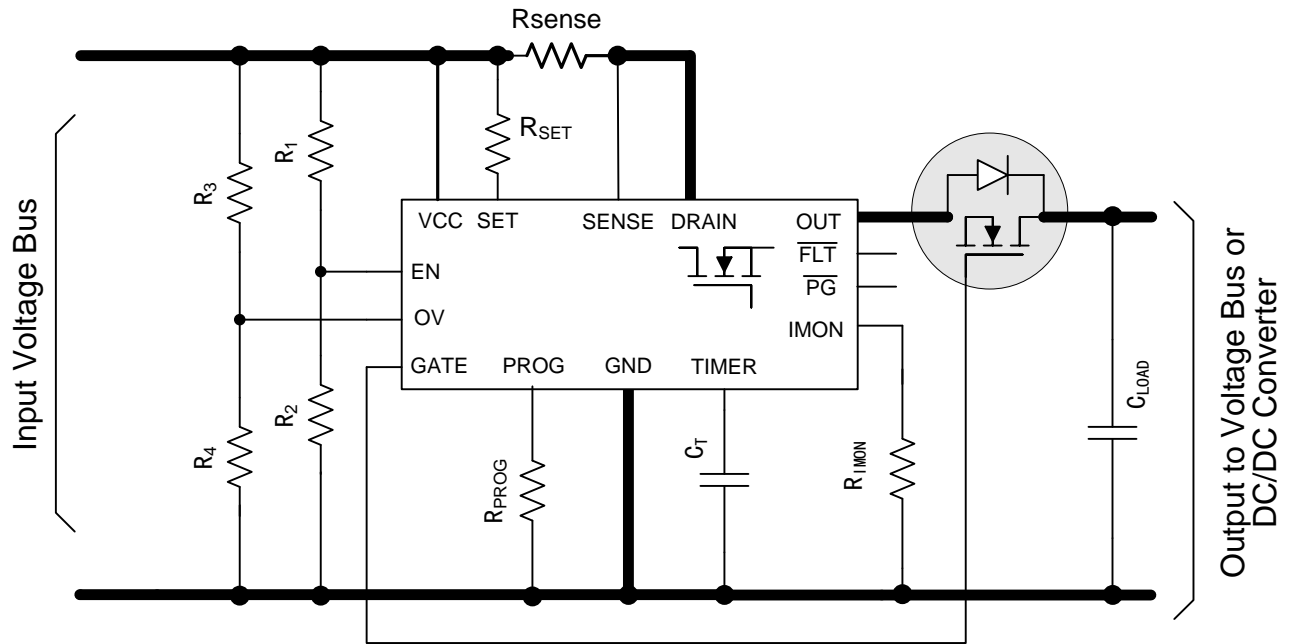


Figure 46. Reverse Blocking Implementation

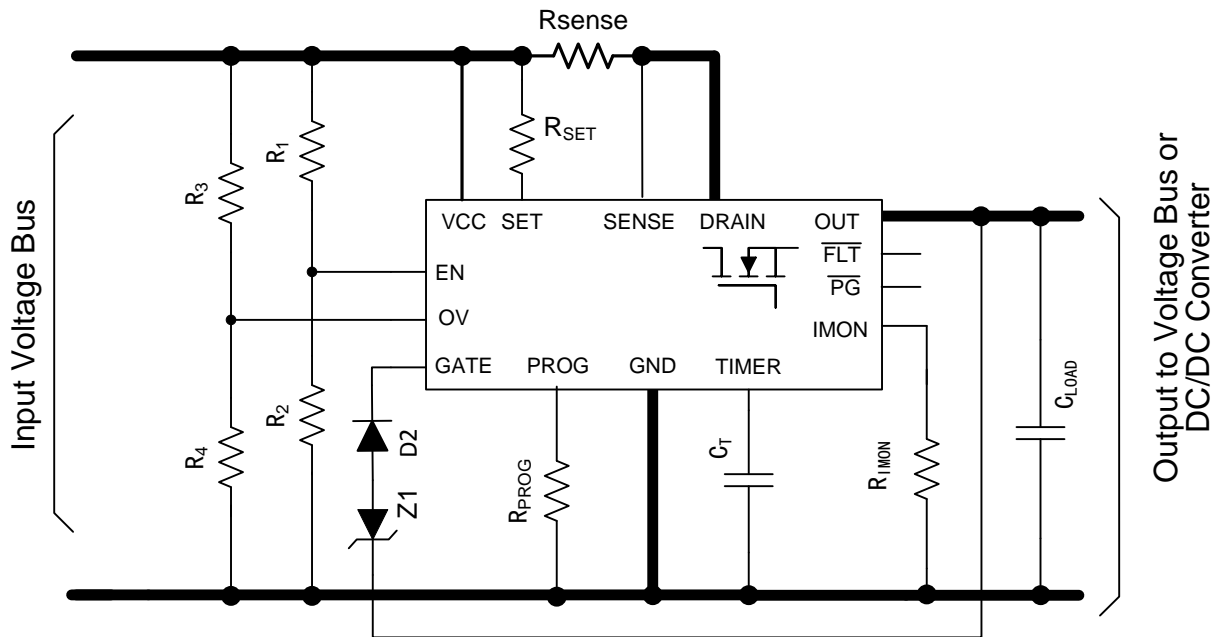


Figure 47. Negative Voltage Gate Protection

System Examples (continued)

The TPS2475x can be configured as a high current load switch with low external part count. The schematic diagram of load switch configuration is shown in [Figure 48](#). The output voltage ramp rate is controlled with RC circuit (R_{gate} and C_{gate}) at the Gate pin of the device. For detailed design process refer to the application note [12-A Integrated Load Switch Using TPS24750/51](#).

Due to their robust protection features along with low $R_{DS(on)}$ of 3 m Ω integrated MOSFET and precise current-limiting, the TPS2475x eFuses finds usage in power supply modules for Position Encoder Interfaces in applications such as Servo Drives and Position Control. Refer to the following TI Designs for system usage examples of the TPS2475x in these applications.

[Power Supply with Programmable Output Voltage and Protection for Position Encoder Interfaces](#)

[Interface to a 5-V BiSS® Position Encoder](#)

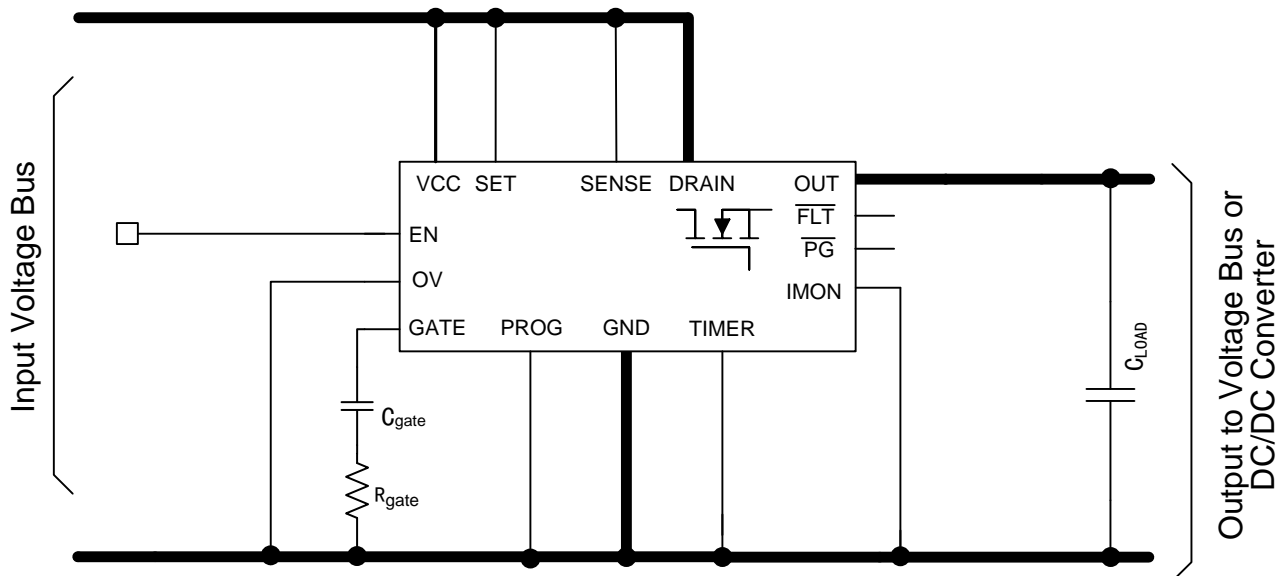


Figure 48. TPS2475x Configured as Simple 12-A Load Switch

11 Power Supply Recommendations

The device is designed for supply voltage range of $2.5\text{ V} \leq V_{(VCC)} \leq 18\text{ V}$. If the input supply is located more than a few inches from the device an input ceramic bypass capacitor higher than $0.1\text{ }\mu\text{F}$ is recommended. Power supply must be rated higher than the current limit set to avoid voltage droops during over current and short-circuit conditions.

11.1 Transient Thermal Impedance

$T_A = 25^\circ\text{C}$ (unless otherwise stated)

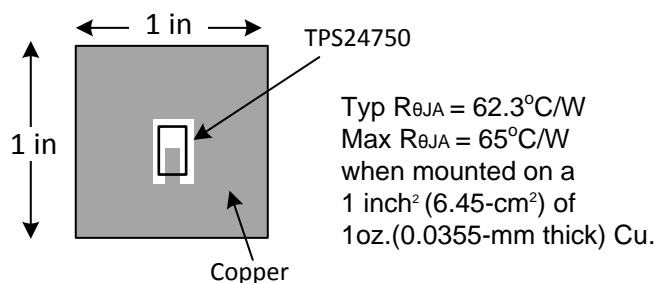


Figure 49. Board Details - Thermal Impedance Characteristic

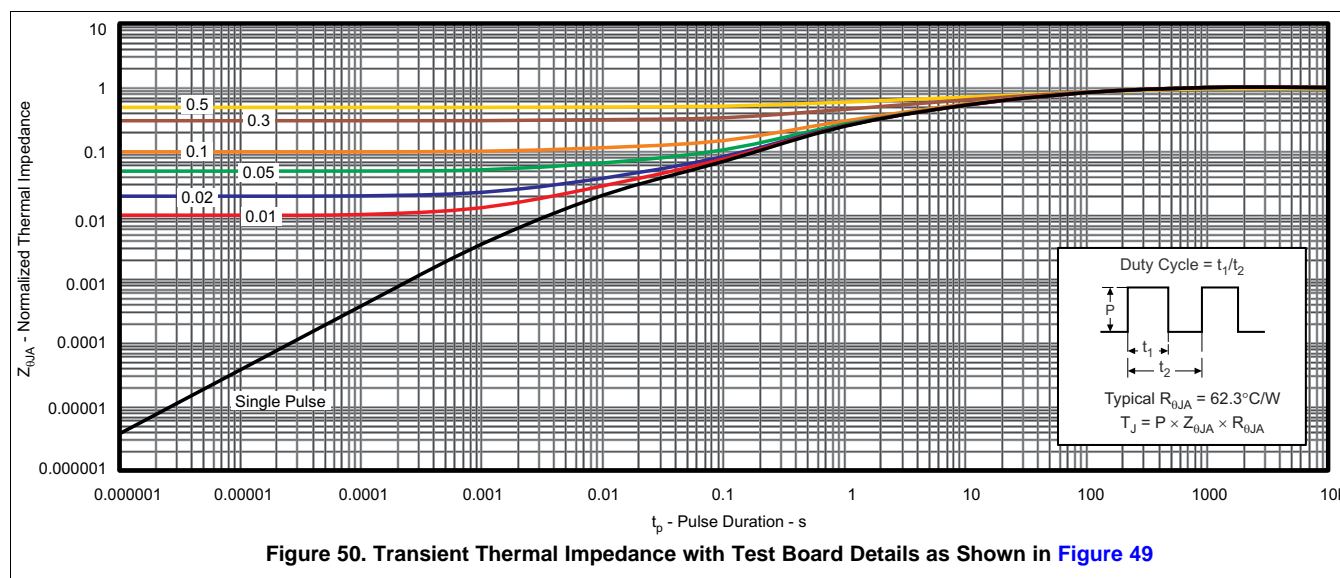


Figure 50. Transient Thermal Impedance with Test Board Details as Shown in Figure 49

12 Layout

12.1 Layout Guidelines

The TPS2475x applications require careful attention to layout to ensure proper performance and to minimize susceptibility to transients and noise. In general, all traces must be as short as possible, but the following list deserves first consideration:

- Decoupling capacitors on VCC pin must have minimal trace lengths to the pin and to GND.
- Traces to SET and SENSE must be short and run side-by-side to maximize common-mode rejection. Kelvin connections must be used at the points of contact with R_{SENSE} . See [Figure 51](#) and [Figure 52](#) for a PCB layout example.
- SET runs must be short on both sides of R_{SET} .
- High current carrying Power path connections must be as short as possible and sized to carry at least twice the full-load current, more if possible.
- Connections to IMON pin must be minimized after the previously described connections have been placed.
- The reference must be a copper plane or island. Use via holes if necessary for direct connections of components to their appropriate return ground plane or island.
- Thermal Considerations: When properly mounted the PowerPAD package provides significantly greater cooling ability than an ordinary package. To operate at rated power, PowerPAD-2 must be soldered directly to the PC board DRAIN plane directly under the device. The PowerPAD-2 is at the DRAIN potential and can be connected using multiple vias to the inner and bottom layers of the DRAIN. The bottom side of the circuit board is highly recommended to be used for DRAIN plane to increase heat sinking in higher current applications. Refer to Technical Briefs: PowerPAD™ Thermally Enhanced Package, ([SLMA002](#)) and PowerPAD™ Made Easy, ([SLMA004](#)) for more information on using this PowerPad package.
- The thermal via land pattern specific to the TPS2475x can be downloaded from the [device webpage](#).
- Protection devices such as snubbers, TVS, capacitors, or diodes must be placed physically close to the device they are intended to protect, and routed with short traces to reduce inductance. For example, the protection Schottky diode suggested to address transients due to heavy inductive loads, must be physically close to the OUT pins.

12.2 Layout Example

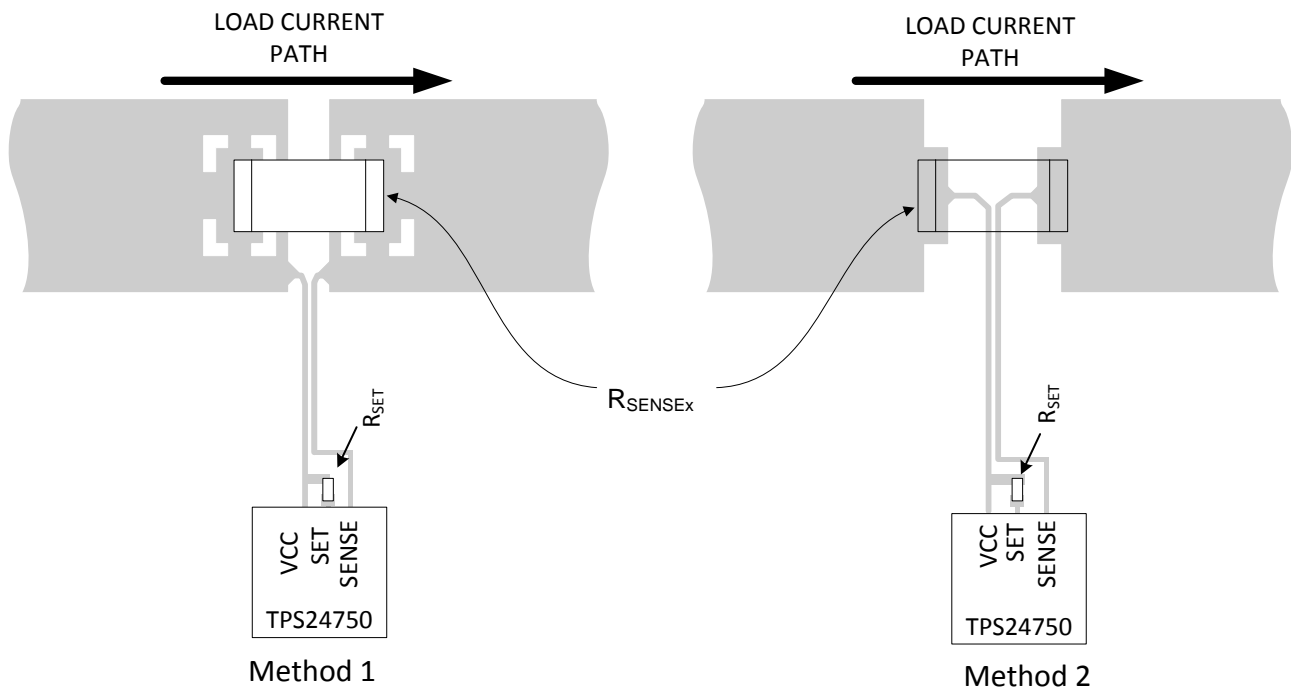
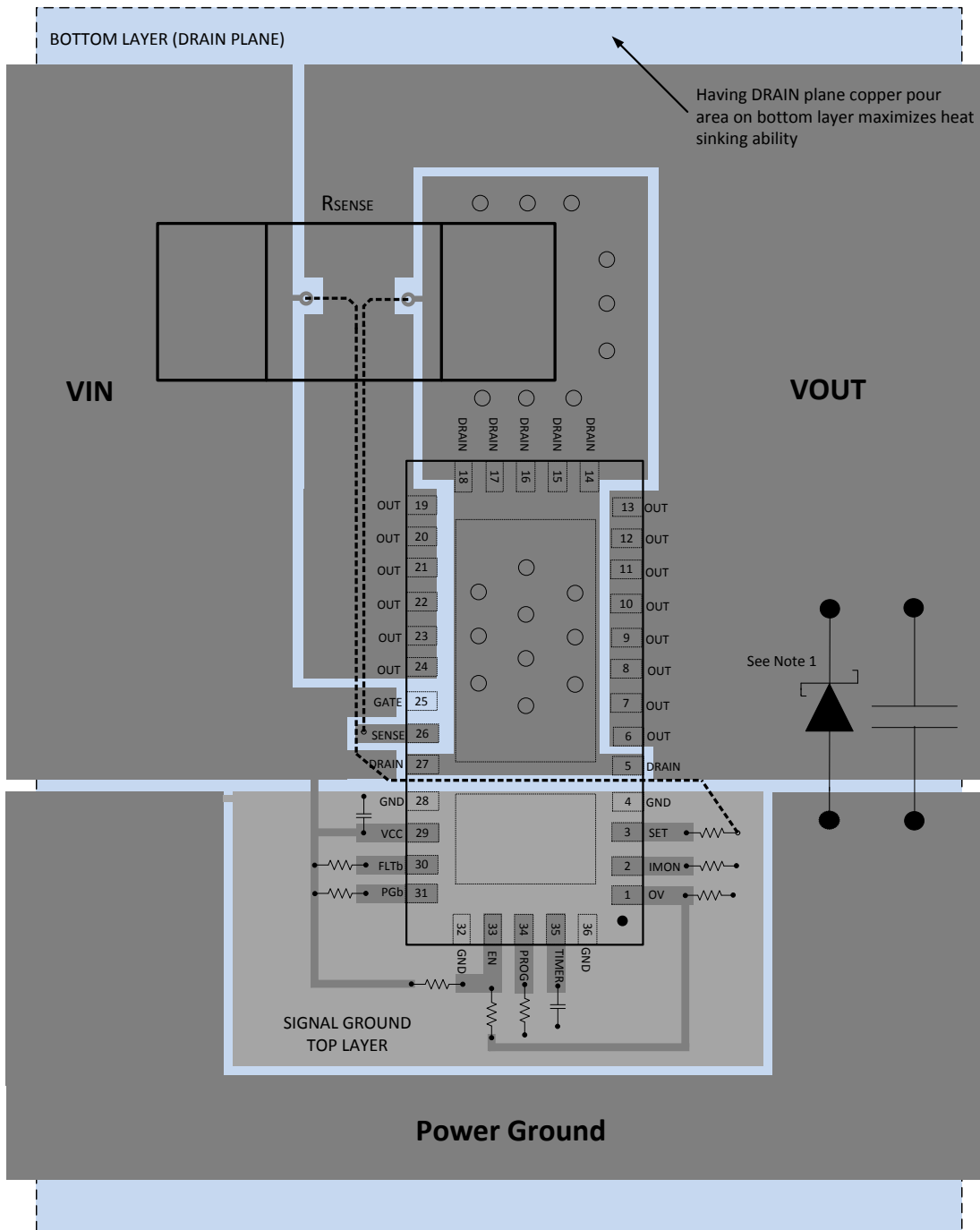


Figure 51. Recommended R_{SENSE} Layout

Layout Example (continued)

- Top Layer
- Top Layer Signal Ground Plane
- Bottom Layer Drain plane
- Via to Bottom Layer
- Track in bottom or internal layer



(1) Optional: Needed only to suppress the transients caused by inductive load switching.

Figure 52. Layout Example

13 Device and Documentation Support

13.1 Documentation Support

13.1.1 Related Documentation

For related documentation see the following:

- [PowerPAD™ Thermally Enhanced Package \(TI Literature Number\)](#)
- [PowerPAD™ Made Easy](#)
- [Power Supply with Programmable Output Voltage and Protection for Position Encoder Interfaces](#)
- [Interface to a 5-V BiSS® Position Encode](#)
- [12-A Integrated Load Switch Using TPS24750/51](#)
- [TPS2475X EVM User Guide](#)

13.2 Related Links

The table below lists quick access links. Categories include technical documents, support and community resources, tools and software, and quick access to sample or buy.

Table 2. Related Links

PARTS	PRODUCT FOLDER	SAMPLE & BUY	TECHNICAL DOCUMENTS	TOOLS & SOFTWARE	SUPPORT & COMMUNITY
TPS24750	Click here	Click here	Click here	Click here	Click here
TPS24751	Click here	Click here	Click here	Click here	Click here

13.3 Receiving Notification of Documentation Updates

To receive notification of documentation updates, navigate to the device product folder on ti.com. In the upper right corner, click on *Alert me* to register and receive a weekly digest of any product information that has changed. For change details, review the revision history included in any revised document.

13.4 Community Resources

The following links connect to TI community resources. Linked contents are provided "AS IS" by the respective contributors. They do not constitute TI specifications and do not necessarily reflect TI's views; see TI's [Terms of Use](#).

TI E2E™ Online Community *TI's Engineer-to-Engineer (E2E) Community*. Created to foster collaboration among engineers. At e2e.ti.com, you can ask questions, share knowledge, explore ideas and help solve problems with fellow engineers.

Design Support *TI's Design Support* Quickly find helpful E2E forums along with design support tools and contact information for technical support.

13.5 Trademarks

E2E is a trademark of Texas Instruments.
 All other trademarks are the property of their respective owners.

13.6 Electrostatic Discharge Caution



This integrated circuit can be damaged by ESD. Texas Instruments recommends that all integrated circuits be handled with appropriate precautions. Failure to observe proper handling and installation procedures can cause damage.

ESD damage can range from subtle performance degradation to complete device failure. Precision integrated circuits may be more susceptible to damage because very small parametric changes could cause the device not to meet its published specifications.

13.7 Export Control Notice

Recipient agrees to not knowingly export or re-export, directly or indirectly, any product or technical data (as defined by the U.S., EU, and other Export Administration Regulations) including software, or any controlled product restricted by other applicable national regulations, received from disclosing party under nondisclosure obligations (if any), or any direct product of such technology, to any destination to which such export or re-export is restricted or prohibited by U.S. or other applicable laws, without obtaining prior authorization from U.S. Department of Commerce and other competent Government authorities to the extent required by those laws.

13.8 Glossary

[SLYZ022](#) — *TI Glossary*.

This glossary lists and explains terms, acronyms, and definitions.

14 Mechanical, Packaging, and Orderable Information

The following pages include mechanical packaging and orderable information. This information is the most current data available for the designated devices. This data is subject to change without notice and revision of this document. For browser-based versions of this data sheet, refer to the left-hand navigation.

PACKAGING INFORMATION

Orderable Device	Status (1)	Package Type	Package Drawing	Pins	Package Qty	Eco Plan (2)	Lead/Ball Finish (6)	MSL Peak Temp (3)	Op Temp (°C)	Device Marking (4/5)	Samples
TPS24750RUVR	ACTIVE	VQFN	RUV	36	3000	Green (RoHS & no Sb/Br)	CU NIPDAU	Level-2-260C-1 YEAR	-40 to 85	TPS24750	Samples
TPS24750RUVT	ACTIVE	VQFN	RUV	36	250	Green (RoHS & no Sb/Br)	CU NIPDAU	Level-2-260C-1 YEAR	-40 to 85	TPS24750	Samples
TPS24751RUVR	ACTIVE	VQFN	RUV	36	3000	Green (RoHS & no Sb/Br)	CU NIPDAU	Level-2-260C-1 YEAR	-40 to 85	TPS24751	Samples
TPS24751RUVT	ACTIVE	VQFN	RUV	36	250	Green (RoHS & no Sb/Br)	CU NIPDAU	Level-2-260C-1 YEAR	-40 to 85	TPS24751	Samples

(1) The marketing status values are defined as follows:

ACTIVE: Product device recommended for new designs.

LIFEBUY: TI has announced that the device will be discontinued, and a lifetime-buy period is in effect.

NRND: Not recommended for new designs. Device is in production to support existing customers, but TI does not recommend using this part in a new design.

PREVIEW: Device has been announced but is not in production. Samples may or may not be available.

OBSOLETE: TI has discontinued the production of the device.

(2) Eco Plan - The planned eco-friendly classification: Pb-Free (RoHS), Pb-Free (RoHS Exempt), or Green (RoHS & no Sb/Br) - please check <http://www.ti.com/productcontent> for the latest availability information and additional product content details.

TBD: The Pb-Free/Green conversion plan has not been defined.

Pb-Free (RoHS): TI's terms "Lead-Free" or "Pb-Free" mean semiconductor products that are compatible with the current RoHS requirements for all 6 substances, including the requirement that lead not exceed 0.1% by weight in homogeneous materials. Where designed to be soldered at high temperatures, TI Pb-Free products are suitable for use in specified lead-free processes.

Pb-Free (RoHS Exempt): This component has a RoHS exemption for either 1) lead-based flip-chip solder bumps used between the die and package, or 2) lead-based die adhesive used between the die and leadframe. The component is otherwise considered Pb-Free (RoHS compatible) as defined above.

Green (RoHS & no Sb/Br): TI defines "Green" to mean Pb-Free (RoHS compatible), and free of Bromine (Br) and Antimony (Sb) based flame retardants (Br or Sb do not exceed 0.1% by weight in homogeneous material)

(3) MSL, Peak Temp. - The Moisture Sensitivity Level rating according to the JEDEC industry standard classifications, and peak solder temperature.

(4) There may be additional marking, which relates to the logo, the lot trace code information, or the environmental category on the device.

(5) Multiple Device Markings will be inside parentheses. Only one Device Marking contained in parentheses and separated by a "~" will appear on a device. If a line is indented then it is a continuation of the previous line and the two combined represent the entire Device Marking for that device.

(6) Lead/Ball Finish - Orderable Devices may have multiple material finish options. Finish options are separated by a vertical ruled line. Lead/Ball Finish values may wrap to two lines if the finish value exceeds the maximum column width.

Important Information and Disclaimer: The information provided on this page represents TI's knowledge and belief as of the date that it is provided. TI bases its knowledge and belief on information provided by third parties, and makes no representation or warranty as to the accuracy of such information. Efforts are underway to better integrate information from third parties. TI has taken and continues to take reasonable steps to provide representative and accurate information but may not have conducted destructive testing or chemical analysis on incoming materials and chemicals. TI and TI suppliers consider certain information to be proprietary, and thus CAS numbers and other limited information may not be available for release.

In no event shall TI's liability arising out of such information exceed the total purchase price of the TI part(s) at issue in this document sold by TI to Customer on an annual basis.

TAPE AND REEL INFORMATION

QUADRANT ASSIGNMENTS FOR PIN 1 ORIENTATION IN TAPE


*All dimensions are nominal

Device	Package Type	Package Drawing	Pins	SPQ	Reel Diameter (mm)	Reel Width W1 (mm)	A0 (mm)	B0 (mm)	K0 (mm)	P1 (mm)	W (mm)	Pin1 Quadrant
TPS24750RUVR	VQFN	RUV	36	3000	330.0	16.4	3.85	7.35	1.2	8.0	16.0	Q1
TPS24750RUVT	VQFN	RUV	36	250	180.0	16.4	3.85	7.35	1.2	8.0	16.0	Q1
TPS24751RUVR	VQFN	RUV	36	3000	330.0	16.4	3.85	7.35	1.2	8.0	16.0	Q1
TPS24751RUVT	VQFN	RUV	36	250	180.0	16.4	3.85	7.35	1.2	8.0	16.0	Q1

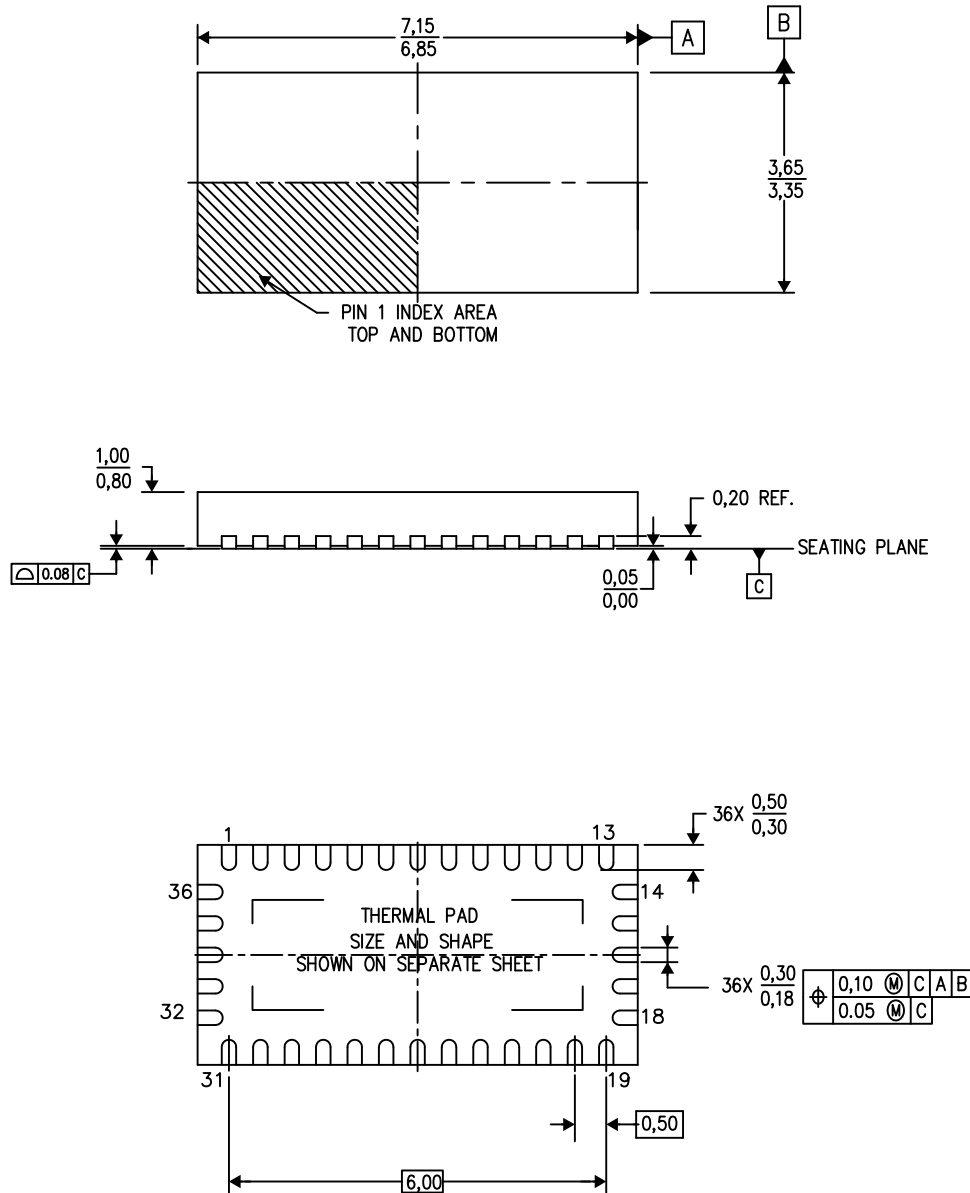
TAPE AND REEL BOX DIMENSIONS


*All dimensions are nominal

Device	Package Type	Package Drawing	Pins	SPQ	Length (mm)	Width (mm)	Height (mm)
TPS24750RUVR	VQFN	RUV	36	3000	367.0	367.0	38.0
TPS24750RUVT	VQFN	RUV	36	250	210.0	185.0	35.0
TPS24751RUVR	VQFN	RUV	36	3000	367.0	367.0	38.0
TPS24751RUVT	VQFN	RUV	36	250	210.0	185.0	35.0

RUV (R-PVQFN-N36)

PLASTIC QUAD FLATPACK NO-LEAD



4209345-3/B 08/12

- NOTES:
- A. All linear dimensions are in millimeters. Dimensioning and tolerancing per ASME Y14.5M-1994.
 - B. This drawing is subject to change without notice.
 - C. Quad Flatpack, No-leads (QFN) package configuration.
 - D. The package thermal pad must be soldered to the board for thermal and mechanical performance.
 - E. See the additional figure in the Product Data Sheet for details regarding the exposed thermal pad features and dimensions.
 - F. Falls within JEDEC MO-220.

THERMAL PAD MECHANICAL DATA

RUV (S-PVQFN-N36)

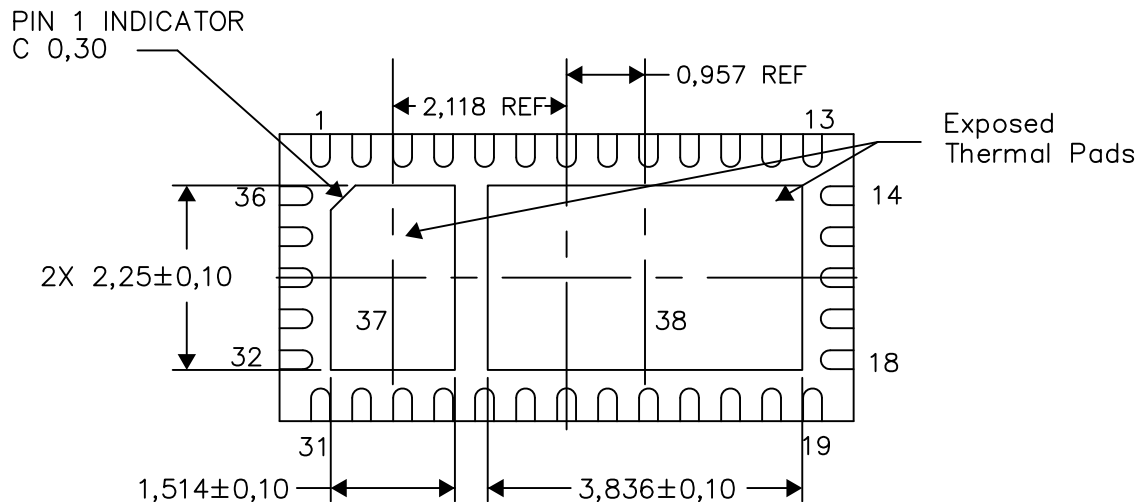
PLASTIC QUAD FLATPACK NO-LEAD

THERMAL INFORMATION

This package incorporates an exposed thermal pad that is designed to be attached directly to an external heatsink. The thermal pad must be soldered directly to the printed circuit board (PCB). After soldering, the PCB can be used as a heatsink. In addition, through the use of thermal vias, the thermal pad can be attached directly to the appropriate copper plane shown in the electrical schematic for the device, or alternatively, can be attached to a special heatsink structure designed into the PCB. This design optimizes the heat transfer from the integrated circuit (IC).

For information on the Quad Flatpack No-Lead (QFN) package and its advantages, refer to Application Report, QFN/SON PCB Attachment, Texas Instruments Literature No. SLUA271. This document is available at www.ti.com.

The exposed thermal pad dimensions for this package are shown in the following illustration.

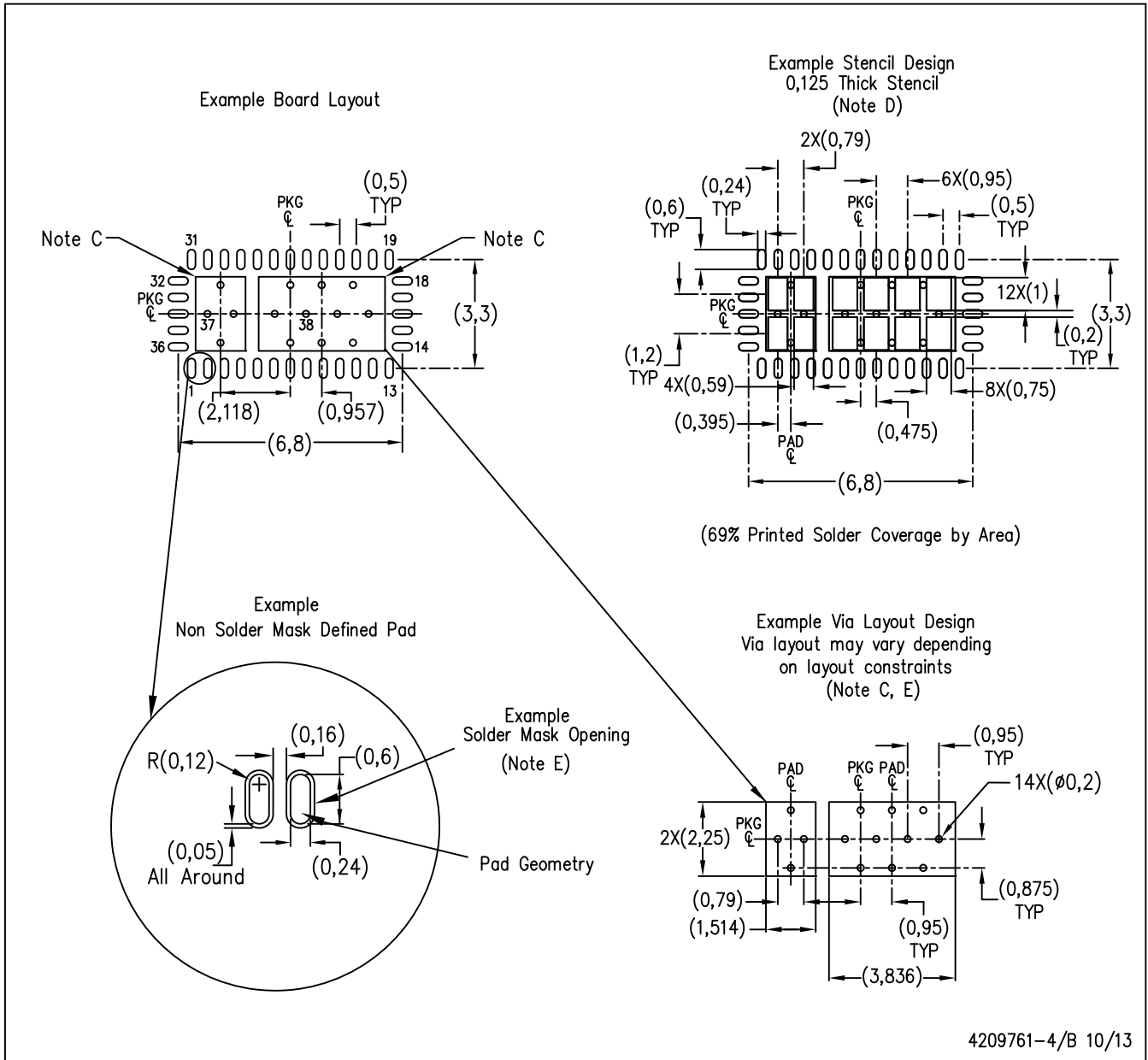


4209552-4/E 06/13

NOTE: All linear dimensions are in millimeters

RUV (R-PVQFN-N36)

PLASTIC QUAD FLATPACK NO-LEAD



- NOTES:
- All linear dimensions are in millimeters.
 - This drawing is subject to change without notice.
 - This package is designed to be soldered to a thermal pad on the board. Refer to Application Note, Quad Flat-Pack Packages, Texas Instruments Literature No. SLUA271, and also the Product Data Sheets for specific thermal information, via requirements, and recommended board layout. These documents are available at www.ti.com <<http://www.ti.com>>.
 - Laser cutting apertures with trapezoidal walls and also rounding corners will offer better paste release. Customers should contact their board assembly site for stencil design recommendations. Refer to IPC 7525 for stencil design considerations.
 - Customers should contact their board fabrication site for recommended solder mask tolerances and via tenting recommendations for vias placed in the thermal pad.

IMPORTANT NOTICE

Texas Instruments Incorporated (TI) reserves the right to make corrections, enhancements, improvements and other changes to its semiconductor products and services per JESD46, latest issue, and to discontinue any product or service per JESD48, latest issue. Buyers should obtain the latest relevant information before placing orders and should verify that such information is current and complete.

TI's published terms of sale for semiconductor products (<http://www.ti.com/sc/docs/stdterms.htm>) apply to the sale of packaged integrated circuit products that TI has qualified and released to market. Additional terms may apply to the use or sale of other types of TI products and services.

Reproduction of significant portions of TI information in TI data sheets is permissible only if reproduction is without alteration and is accompanied by all associated warranties, conditions, limitations, and notices. TI is not responsible or liable for such reproduced documentation. Information of third parties may be subject to additional restrictions. Resale of TI products or services with statements different from or beyond the parameters stated by TI for that product or service voids all express and any implied warranties for the associated TI product or service and is an unfair and deceptive business practice. TI is not responsible or liable for any such statements.

Buyers and others who are developing systems that incorporate TI products (collectively, "Designers") understand and agree that Designers remain responsible for using their independent analysis, evaluation and judgment in designing their applications and that Designers have full and exclusive responsibility to assure the safety of Designers' applications and compliance of their applications (and of all TI products used in or for Designers' applications) with all applicable regulations, laws and other applicable requirements. Designer represents that, with respect to their applications, Designer has all the necessary expertise to create and implement safeguards that (1) anticipate dangerous consequences of failures, (2) monitor failures and their consequences, and (3) lessen the likelihood of failures that might cause harm and take appropriate actions. Designer agrees that prior to using or distributing any applications that include TI products, Designer will thoroughly test such applications and the functionality of such TI products as used in such applications.

TI's provision of technical, application or other design advice, quality characterization, reliability data or other services or information, including, but not limited to, reference designs and materials relating to evaluation modules, (collectively, "TI Resources") are intended to assist designers who are developing applications that incorporate TI products; by downloading, accessing or using TI Resources in any way, Designer (individually or, if Designer is acting on behalf of a company, Designer's company) agrees to use any particular TI Resource solely for this purpose and subject to the terms of this Notice.

TI's provision of TI Resources does not expand or otherwise alter TI's applicable published warranties or warranty disclaimers for TI products, and no additional obligations or liabilities arise from TI providing such TI Resources. TI reserves the right to make corrections, enhancements, improvements and other changes to its TI Resources. TI has not conducted any testing other than that specifically described in the published documentation for a particular TI Resource.

Designer is authorized to use, copy and modify any individual TI Resource only in connection with the development of applications that include the TI product(s) identified in such TI Resource. NO OTHER LICENSE, EXPRESS OR IMPLIED, BY ESTOPPEL OR OTHERWISE TO ANY OTHER TI INTELLECTUAL PROPERTY RIGHT, AND NO LICENSE TO ANY TECHNOLOGY OR INTELLECTUAL PROPERTY RIGHT OF TI OR ANY THIRD PARTY IS GRANTED HEREIN, including but not limited to any patent right, copyright, mask work right, or other intellectual property right relating to any combination, machine, or process in which TI products or services are used. Information regarding or referencing third-party products or services does not constitute a license to use such products or services, or a warranty or endorsement thereof. Use of TI Resources may require a license from a third party under the patents or other intellectual property of the third party, or a license from TI under the patents or other intellectual property of TI.

TI RESOURCES ARE PROVIDED "AS IS" AND WITH ALL FAULTS. TI DISCLAIMS ALL OTHER WARRANTIES OR REPRESENTATIONS, EXPRESS OR IMPLIED, REGARDING RESOURCES OR USE THEREOF, INCLUDING BUT NOT LIMITED TO ACCURACY OR COMPLETENESS, TITLE, ANY EPIDEMIC FAILURE WARRANTY AND ANY IMPLIED WARRANTIES OF MERCHANTABILITY, FITNESS FOR A PARTICULAR PURPOSE, AND NON-INFRINGEMENT OF ANY THIRD PARTY INTELLECTUAL PROPERTY RIGHTS. TI SHALL NOT BE LIABLE FOR AND SHALL NOT DEFEND OR INDEMNIFY DESIGNER AGAINST ANY CLAIM, INCLUDING BUT NOT LIMITED TO ANY INFRINGEMENT CLAIM THAT RELATES TO OR IS BASED ON ANY COMBINATION OF PRODUCTS EVEN IF DESCRIBED IN TI RESOURCES OR OTHERWISE. IN NO EVENT SHALL TI BE LIABLE FOR ANY ACTUAL, DIRECT, SPECIAL, COLLATERAL, INDIRECT, PUNITIVE, INCIDENTAL, CONSEQUENTIAL OR EXEMPLARY DAMAGES IN CONNECTION WITH OR ARISING OUT OF TI RESOURCES OR USE THEREOF, AND REGARDLESS OF WHETHER TI HAS BEEN ADVISED OF THE POSSIBILITY OF SUCH DAMAGES.

Unless TI has explicitly designated an individual product as meeting the requirements of a particular industry standard (e.g., ISO/TS 16949 and ISO 26262), TI is not responsible for any failure to meet such industry standard requirements.

Where TI specifically promotes products as facilitating functional safety or as compliant with industry functional safety standards, such products are intended to help enable customers to design and create their own applications that meet applicable functional safety standards and requirements. Using products in an application does not by itself establish any safety features in the application. Designers must ensure compliance with safety-related requirements and standards applicable to their applications. Designer may not use any TI products in life-critical medical equipment unless authorized officers of the parties have executed a special contract specifically governing such use. Life-critical medical equipment is medical equipment where failure of such equipment would cause serious bodily injury or death (e.g., life support, pacemakers, defibrillators, heart pumps, neurostimulators, and implantables). Such equipment includes, without limitation, all medical devices identified by the U.S. Food and Drug Administration as Class III devices and equivalent classifications outside the U.S.

TI may expressly designate certain products as completing a particular qualification (e.g., Q100, Military Grade, or Enhanced Product). Designers agree that it has the necessary expertise to select the product with the appropriate qualification designation for their applications and that proper product selection is at Designers' own risk. Designers are solely responsible for compliance with all legal and regulatory requirements in connection with such selection.

Designer will fully indemnify TI and its representatives against any damages, costs, losses, and/or liabilities arising out of Designer's non-compliance with the terms and provisions of this Notice.